

Pitman Arm Spreader

10386

**TIGER
TOOL**

Have What It Takes

Safety Warning

Read all instructions and safety warnings prior to operation. Failure to do so could result in equipment damage, personal injury or even death.

CAUTION: KEEP THE THREADS OF THE SCREW CLEAN AND LUBRICATED AT ALL TIMES TO LESSEN FRICTION. USE QUALITY OIL ON THREADS. WE DO NOT RECOMMEND USING ANTI-SEIZE!

- **Stay Alert!** Watch what you are doing and use common sense when operating this tool.
- Inspect product for damage prior to using; do not use if product is in unsafe condition.
- Do not operate tool while under the influence of drugs, alcohol or medication.
- Always use safety equipment to prevent injuries. Approved face and eye protection must always be worn by the operator, as well as others in the work area.
- Do not overreach. Keep proper footing and balance at all times.
- Dress properly. Do not wear loose clothing or jewelry. Keep your hair, clothing and gloves away from moving parts.
- Keep your work area clean and well lit.

Operating Instructions

- 1 Remove the nut from the through bolt.
- 2 Remove the through bolt from the pitman arm.
- 3 Slide the 2 link arms onto each side of the pulling bar with the pulling pins entering the through bolt hole of the pitman arm. Align the wedge with the parting line of the pitman arm and hand tighten the screw until the assembly is tight and in proper position.
- 4 Continue to turn the forcing screw with a wrench or air ratchet until the wedge has spread the pitman arm sufficiently to allow the pitman arm to be removed.
Use caution not to spread the arm excessively.

Refer to steering box manufacturer's service instructions or vehicle service manual for further information.

Here at Tiger Tool, your satisfaction is our number one priority. Should you have any questions about this or any of our products, please call us at 1.800.661.4661.



View demonstration videos and a complete product list at tigertool.com

Technical Support
1.800.661.4661

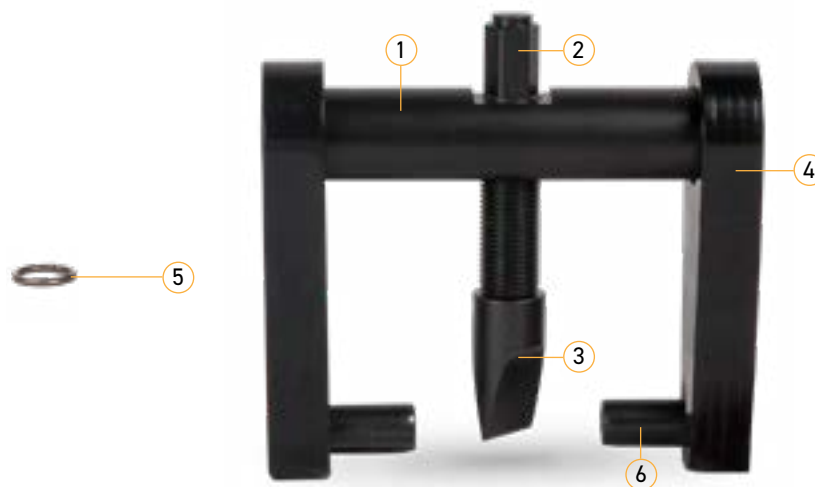
Pitman Arm Spreader

10386

**TIGER
TOOL**

Have What It Takes

Parts Breakdown



Item No.	Part Number	Description	Qty.
1	10386-1	Pullbar	1
2	10386-2	Forcing Screw	1
3	10386-3	Anvil	1
4	C 10386-4	Link Arm	2
5	10386-5	Wire Ring	1
6	50101-30	Dowel Pin 1/2" X 1 1/2"	2



View demonstration videos and a complete product list at tigertool.com

Technical Support
1.800.661.4661