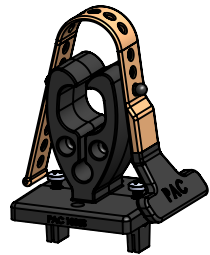
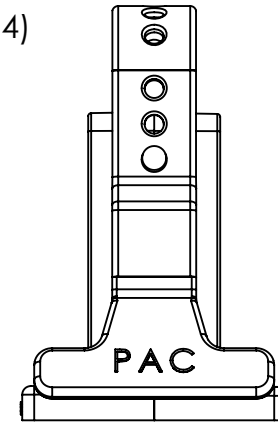
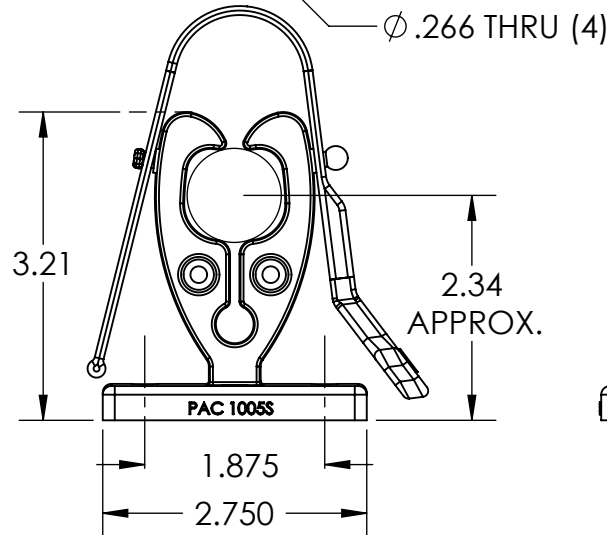
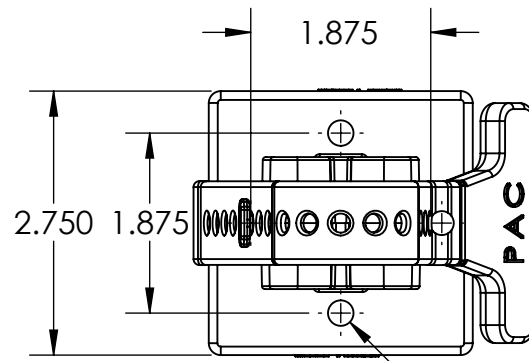
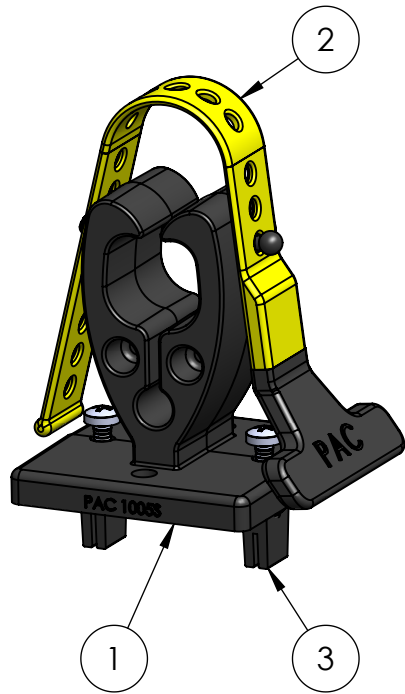
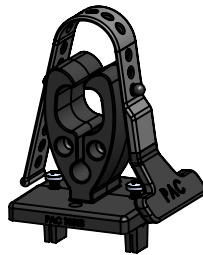


REV	DESCRIPTION	DATE	APPR



P/N 1005S-OR



P/N 1005S-B

3	7028	FASTENER KIT	1
2	4016	UNIVERSAL STRAP	1
1	1005P-S	STOW-N-LOK BRACKET (SHORT)	1
ITEM NO.	PAC P/N	PART NAME	QTY

STOW-N-LOK VERSIONS:

P/N 1005S - YELLOW STRAP,
P/N 1005S-OR - ORANGE STRAP
P/N 1005S-B - BLACK STRAP

NOTES:

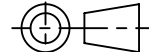
PERFORMANCE
ADVANTAGE
COMPANY



TOLERANCES UNLESS OTHERWISE SPECIFIED

.X = ±.03
.XX = ±.010
.XXX = ±.005
.XXXX = ±0.0005
ANGLES ±0.5°
FRACTIONAL ±1/64

THIRD ANGLE PROJECTION



COLOR

	NAME	DATE
DRAWN BY		
APPR. BY		
MFG BY		
MFG. P/N		
ENG APPR.		
MATERIAL		
ALT. MATERIAL		
FINISH		

THE INFORMATION CONTAINED IN THIS DRAWING IS THE SOLE PROPERTY OF PERFORMANCE ADVANTAGE CO. ANY REPRODUCTION IN PART OR AS A WHOLE WITHOUT THE WRITTEN PERMISSION OF PERFORMANCE ADVANTAGE CO. IS PROHIBITED.

TITLE:

STOW-N-LOK ASSEMBLY

PART NUMBER

1005S

REV

SCALE: 1:2

SHEET 1 OF 2