



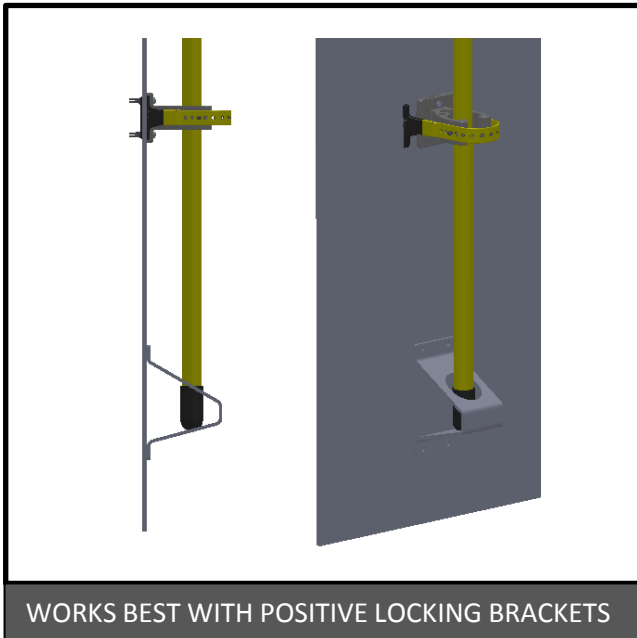
THE WEDGE-POLE REST P/N 1048-1 INSTALLATION INSTRUCTIONS



For additional assistance call 888-514-0083 between 8AM-5PM EST or email: info@pactoolmounts.com



CAUTION

To avoid the risk of personal injury, property damage or product damage, please use the included fasteners for mounting.

- * The bracket must be securely mounted to a stable surface and material.
- * When mounting bracket to PAC TRAC aluminum products **P/N 7000, P/N 7020, P/N 7040, P/N 7050** with the included Trac Lok inserts **P/N 7016**, torque the screws to a maximum 15 in-lbs.
- * PAC recommends regular and frequent inspections to be certain of proper operation and installation.



MTG. HARDWARE for PAC TRAC		QTY
 P/N 2046	#10-24 x 1 S.S. S.S. Pan Head Screw	4
 P/N 7016	Trac Lok Insert	4

STANDARD MTG. HARDWARE		QTY
 P/N 2098	¼-20 x 3/4 S.S. S.S. Pan Head Screw	4
 P/N 2069LN	¼-20 Nylon Locking Nut	4

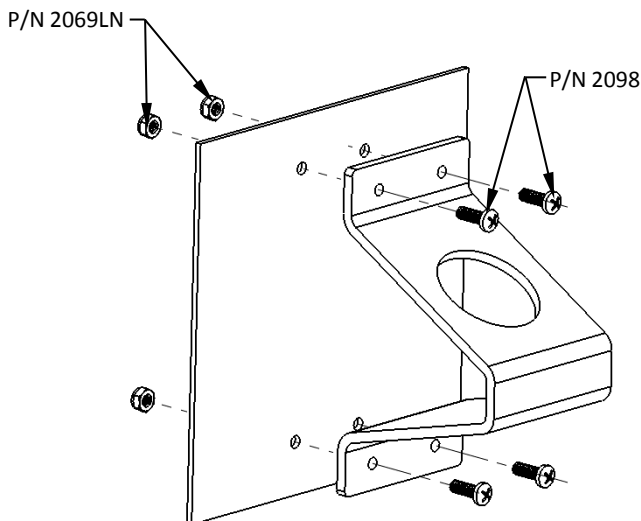


FIGURE 1
(Thru Mounting Method)

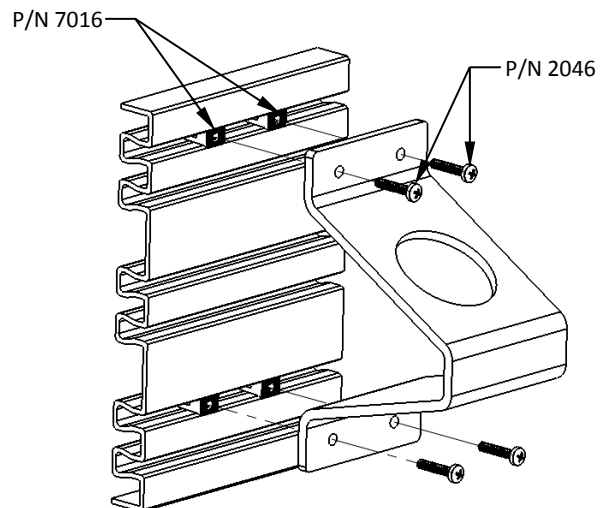


FIGURE 2
(PAC TRAC Mounting)