



PRODUCT DATA SHEET

P/N: 1085 GRIPMOUNT



The Grip Mount is a multi use bracket providing a secure grip-like mount for hanging cords, individual hand tools such as wrenches, screwdrivers or other loose items. The flexible grip strap adjusts to items up to 5/8" diameter in size.

FEATURES

- Rugged injection molded components made from high quality materials
- Weather, UV resistant
- Non-conductive
- Can be mounted horizontally or vertically
- Easy push in and hold design
- Stainless Steel Fasteners provided
- Mounts to PAC tool boards, strut and other flat surfaces.
- Six grip points.

EQUIPMENT

Cord Pig Tails, Screwdrivers, Wrenches, Rods, and Pins

Rounds: 1/4"(6.4)- 5/8"(15.8) Diameter

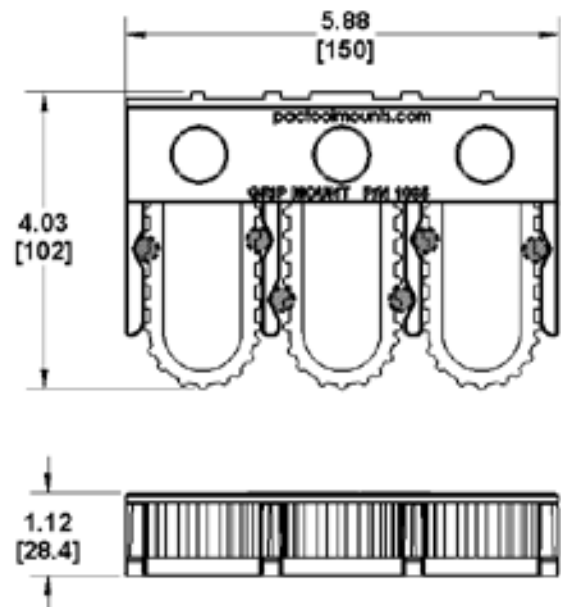
Misc: Up to 5/8" (15.8) Hanging

TYPICAL SPECIFICATION

Mounting bracket shall be PAC P/N 1085

Bracket shall be made from tough, corrosion free material. Hardware shall be stainless steel.

Users shall be protected from conductivity.



SPECIFICATIONS

P/N	WT.	MAX DYNAMIC LOAD	MAX STATIC LOADS	GRIP RANGE	TEMP RANGE	FLAME RESISTANCE	PAINTABLE
1085	4.80z 150g	N/A	"X" axis - "Y" axis - "Z" axis -	VARIABLE	-20 to 52 °C -4 to 125 °F	GOOD	NO

Performance Advantage Company

Lancaster, New York

www.pactoolmounts.com

888-514-0083

REFERENCE	QTY	REMARKS	PROJECT
			LOCATION
			BUYER
			DEALER
			BUILDER
			SUBMITTED BY: DATE:



Grip Mounts are versatile brackets designed to provide a secure grip-like mount for hanging pigtail cords, hand tools and other small items. Items push in against the flexible strap loop. Several locating points provide positioning. Loose drop in tool holding when bracket is positioned horizontally.

- Rugged injection molded components made from high quality materials
- Weather, UV resistant
- Non-conductive
- Can be mounted horizontally or vertically

