



GRIP MOUNT P/N 1085

INSTALLATION INSTRUCTIONS





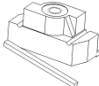
For additional assistance call 888-514-0083 between 8AM-5PM EST or email: info@pactoolmounts.com

CAUTION

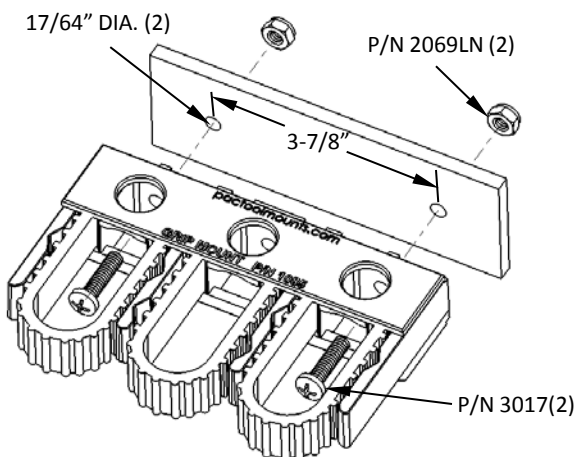
To avoid the risk of personal injury, property damage or product damage, please use the included fasteners for mounting.

- * The bracket must be securely mounted to a stable surface and material.
- * When mounting bracket to PAC TRAC aluminum products **P/N 7000, P/N 7020, P/N 7040, P/N 7050** with the included Trac Lok inserts **P/N 7016**, torque the screws to a maximum 15 in-lbs.
- * When attaching with PAC Channel Nut **P/N 3023**, torque the screw to a maximum 25 in-lbs.
- * PAC recommends regular and frequent inspections to be certain of proper operation and installation.

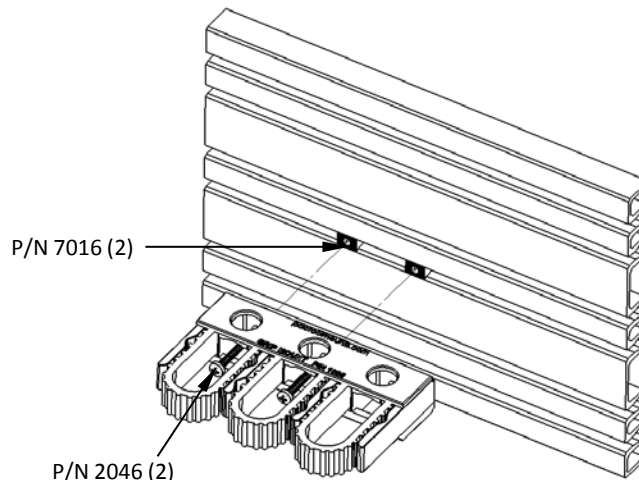


MTG. HARDWARE			QTY
	P/N 3017	¼-20 x 1 S.S. Pan Head Screw	2
	P/N 2069LN	¼-20 Nylon Locking Nut	2
	P/N 2046	#10-24 x 1 S.S. Pan Head Screw	2
	P/N 7016	Trac Lok Insert	2
	P/N 3023	#-10-24 Channel Nut	1

The **Grip Mount** is a versatile multi-use bracket which is compatible with all PAC aluminum mounting products and can also mount directly to most flat & stable materials.



SURFACE MOUNTING



PAC TRAC MOUNTING



GRIP MOUNT P/N 1085

INSTALLATION INSTRUCTIONS

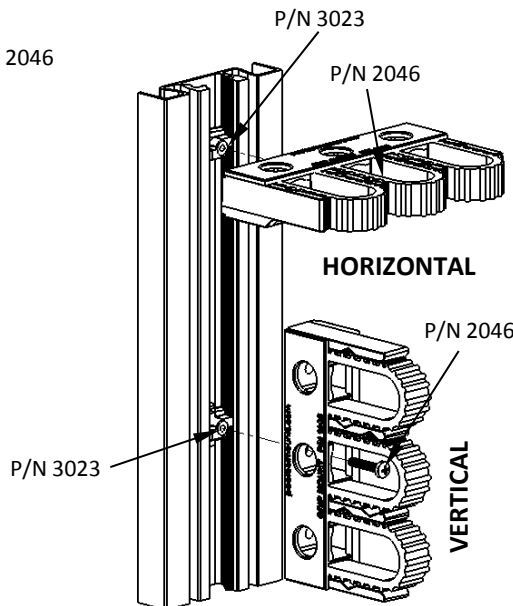
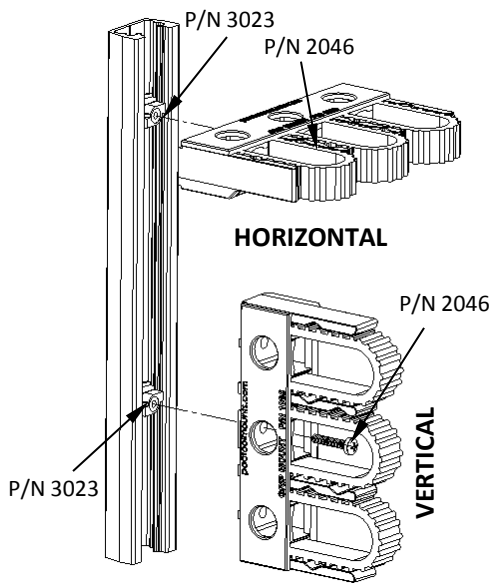
For additional assistance call 888-514-0083 between 8AM-5PM EST or email: info@pactoolmounts.com

CAUTION

To avoid the risk of personal injury, property damage or product damage, please use the included fasteners for mounting.

- * The bracket must be securely mounted to a stable surface and material.
- * When mounting bracket to PAC TRAC aluminum products **P/N 7000**, **P/N 7020**, **P/N 7040**, **P/N 7050** with the included Trac Lok inserts **P/N 7016**, torque the screws to a maximum 15 in-lbs.
- * When attaching with PAC Channel Nut **P/N 3023**, torque the screw to a maximum 25 in-lbs.
- * PAC recommends regular and frequent inspections to be certain of proper operation and installation.

PAC STRUT™ MOUNTING



PAC MINI DUAL TRAC MOUNTING

PAC DUAL TRAC MOUNTING

