

Operating Instructions

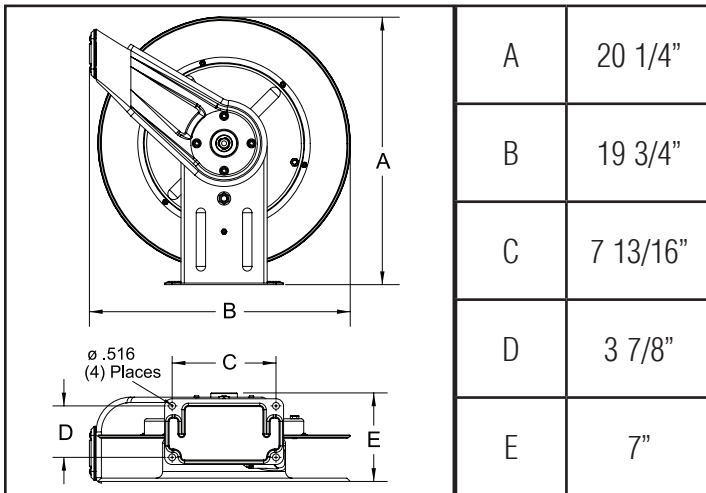
Series 7000 Spring Driven Hose Reels

Low, Medium and High Pressure Model Numbers:

7600 OLP	7830 OLP	7925 OLP	7830 OMP	7600 OHP
7640 OLP	7840 OLP	7600 OMP	7840 OMP	7640 OHP
7650 OLP	7850 OLP	7630 OMP	7850 OMP	7650 OHP
7607 OLP	7850 OLP121	7640 OMP	7400 OHP	7650 OLP-HTH
7670 OLP	7850 OLPSW57	7650 OMP	7440 OHP	7850 OLP-HTH121
7800 OLP	7900 OLP	7800 OMP	7450 OHP	7925 OLP-HTH



Dimensions



IMPORTANT

Read this manual carefully before installing, operating or servicing this equipment.

SAFETY

Personal injury and/or equipment damage may result if proper safety precautions are not observed.

- Ensure that reel is properly installed before connecting input and output hoses.
- Bleed fluid/gas pressure from system before servicing reel.
- Before connecting reel to supply line, ensure that pressure does not exceed maximum working pressure rating of reel.
- Remember, even low pressure is very dangerous and can cause personal injury or death.
- Be aware of machinery and personnel in work area.
- If a leak occurs in the hose or reel, remove system pressure immediately.
- A high tension spring assembly is contained within the reel. Exercise extreme caution.
- Pull hose from reel by grasping the hose itself, not the control valve.
- Ensure that reel, hose, and equipment being serviced are properly grounded. Use an ohmmeter to check ground continuity.
- If reel ceases to unwind or rewind, remove system pressure immediately. Do not pull or jerk on hose!
- Treat and respect the hose reel as any other piece of machinery, observing all common safety practices.

Form# 829-696A Rev: 6/2019

INSTALLATION INSTRUCTIONS

MOUNTING

Caution: Unless reel was specified differently when ordering, maximum installation height is 16 feet. Do not exceed this distance.

1. Unpack and inspect reel for damage. Turn by hand to check for smooth operation. Check for completeness.
2. Configure reel for top, side or bottom-wind hose dispensing by removing nuts (1) securing guide arm bracket (2). Position guide arm bracket to desired location, and replace nuts.

Caution: When changing guide arm positions, the U-bolt must be placed in the proper location as instructed in figure A below. The reel can “latch out” during use if this instruction is not adhered to.

3. Position reel on floor, wall, or ceiling. Secure into place using four (customer supplied) bolts (3).

INSTALLING THE INPUT HOSE(S)

Warning: Ensure that supply line pressure does not exceed maximum working pressure rating of reel. Apply pipe thread sealant to all threads.

Caution: Use flexible hose connection at input. Do not use rigid plumbing.

1. Connect supply line hose (4) to main shaft input (5) as indicated in illustration.

INSTALLING THE OUTPUT HOSE(S)

Warning: Use extreme caution; reel under tension. Avoid releasing latch mechanism. Apply pipe thread sealant to all threads.

1. Manually turn sheave (10) until spring is tight, back off 3 turns, then latch.
2. Route output hose(s) (11) through guide arm bracket (2), U-bolts (12), then through cutout (13) in spool as indicated in illustration.
3. Connect output hose(s) (11) to swivel (14) as indicated in illustration.
4. Tighten U-bolts (12).
5. Charge hose(s). Momentarily open control valve to purge hose(s) of gases. When fluid appears at control valve, close valve. With hose(s) fully charged, release latch and wind output hose(s) onto reel.

ADJUSTMENTS

Warning: Use extreme caution; reel under tension. Avoid releasing latch mechanism. If necessary, adjust spring tension on reel by adding or removing wraps of hose from spool, one wrap at a time, until desired tension is obtained. Add wraps to increase tension. Remove wraps to decrease tension.

SERVICE INSTRUCTIONS

User servicing of the reel is limited to replacing input/output hoses only. Refer all other repairs to an authorized service person or directly to Reelcraft. Failure to do so can result in personal injury and/or equipment damage and may void the warranty. **Warning:** Rewind hose on reel, then bleed pressure from system before performing the following procedures.

1. Replace hoses in accordance with procedures given in “Installation Instructions” section of this manual.

Caution: When replacing drive spring, hold the center of the spring down as the hub is pulled out. If the center is allowed to raise up, the spring may escape from it’s container with enough force to cause injuries.

When disposing of old or broken spring assemblies, the coils should be welded or wired together to prevent possible injury to scrap handling personnel.

2. All mating moving parts are to be lubricated with Perma Bond or Loctite anti-seize compound.

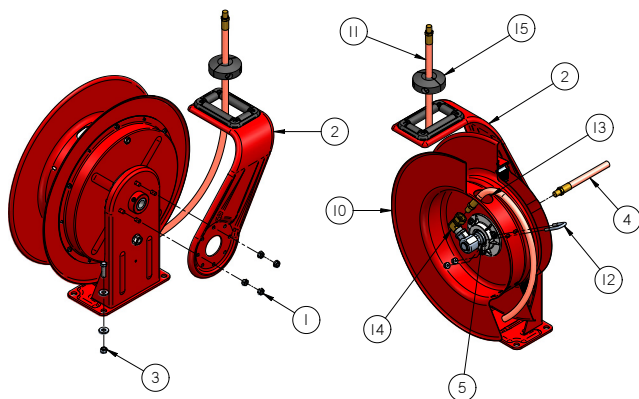
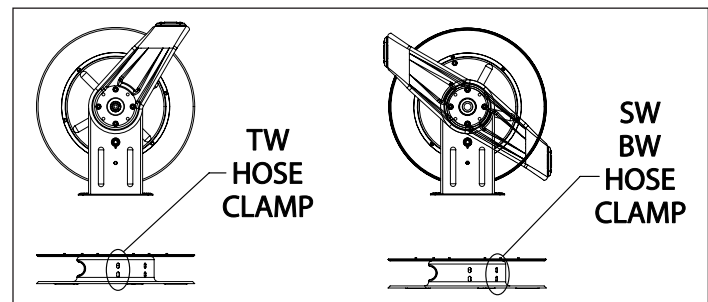
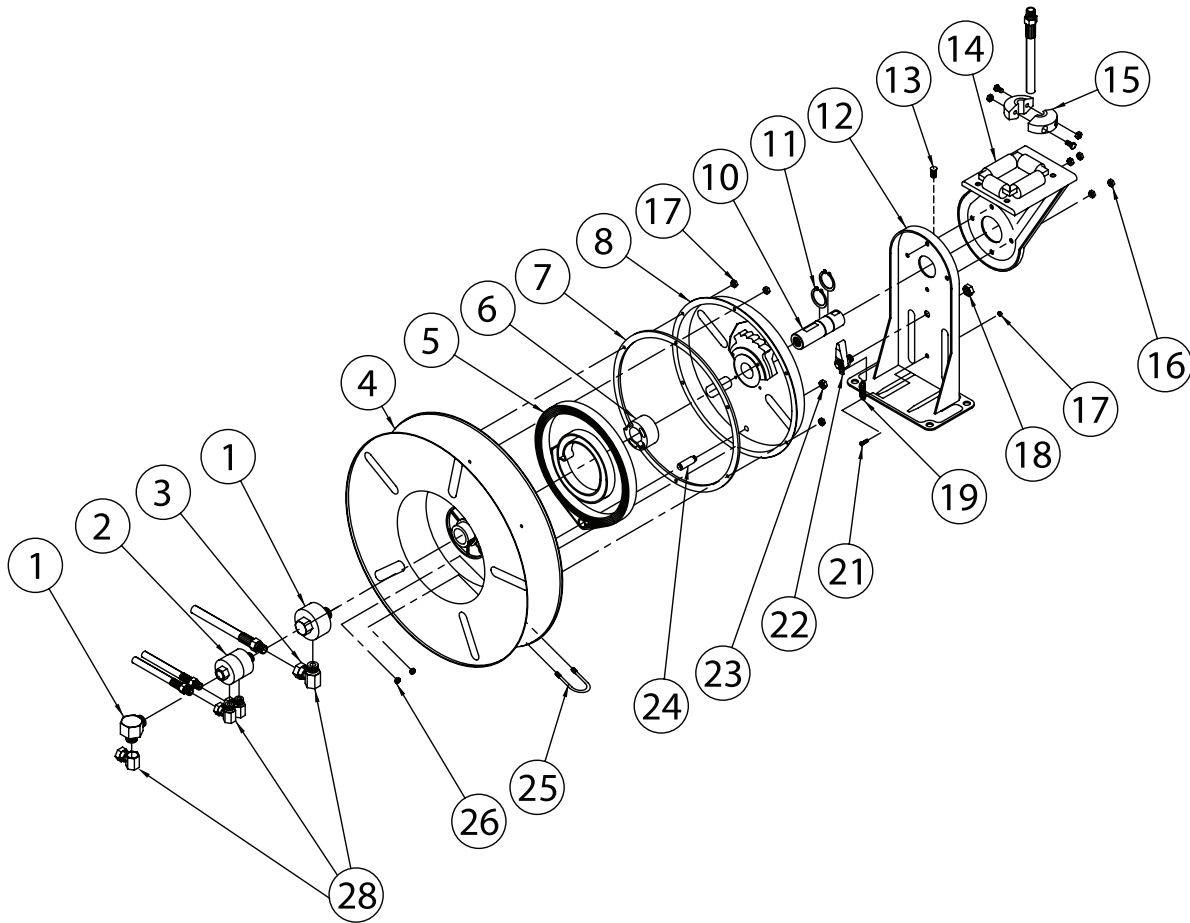


Figure A



Series 7000 Spring Driven Hose Reels



Item #	Description	# Req.	7600 OLP	7640 OLP	7650 OLP	7607 OLP	7670 OLP	7800 OLP	7830 OLP	7840 OLP
1	Swivel Assembly	1	S600888-1	S600888-1	S600888-1	S600888-1	S600888-1	S600888-1	S600888-1	S600888-1
3	90° Ell	1	None	None	None	None	None	None	None	None
4	Sheave Assembly	1	S260011	S260011	S260011	S260011	S260011	S260011	S260011	S260011
5	Drive Spring Assembly	1	S260028	S260028-1	260028-1	S260028	S260028	S260037	S260037	S260037
6	Spring Arbor Assembly	1	S600621	S600621	S600621	S600621	S600621	S600621	S600621	S600621
7	Gasket	1	S260069	S260069	S260069	S260069	S260069	S260069	S260069	S260069
8	Spring Case Assembly	1	S260074	S260074	S260074	S260074	S260074	S260074	S260074	S260074
10	Main Shaft	1	602231	602231	602231	602231	602231	602231	602231	602231
11	1 1/4" Snap Ring	2	300007	300007	300007	300007	300007	300007	300007	300007
12	Base Assembly	1	S600016	S600016	S600016	S600016	S600016	S600016	S600016	S600016
13	1/2-13 Set Screw	1	S35-84	S35-84	S35-84	S35-84	S35-84	S35-84	S35-84	S35-84
14	Guide arm with Rollers	1	S600017	S600017	S600017	S600017	S600017	S600017	S600017	S600017
15	Bumper Stop Assembly	1	None	1-HR1004-3	1-HR1004-3	None	1-HR1004-3	None	2-HR1004-3	2-HR1004-3
16	5/16-18 Locknut	4	300107	300107	300107	300107	300107	300107	300107	300107
17	10-32 x 3/8" Nyloc Nut	7	S82-15	S82-15	S82-15	S82-15	S82-15	S82-15	S82-15	S82-15
18	1/2-20 x 5/8" Hex Nut	1	S280-8	S280-8	S280-8	S280-8	S280-8	S280-8	S280-8	S280-8
19	Latch Spring	1	S260067	S260067	S260067	S260067	S260067	S260067	S260067	S260067
21	10-32 Shoulder Screw	1	S393-2	S393-2	S393-2	S393-2	S393-2	S393-2	S393-2	S393-2
22	Latch Pawl Assembly	1	S600018	S600018	S600018	S600018	S600018	S600018	S600018	S600018
23	3/8-24 Jam Nut	1	S76-106	S76-106	S76-106	S76-106	S76-106	S76-106	S76-106	S76-106
24	Spring Case Stud	1	S260031	S260031	S260031	S260031	S260031	S260031	S260031	S260031
25	U-bolt	1	3-117440	3-117440	3-117440	3-117440	3-117440	3-117440	3-117440	3-117440
26	1/4-20 x 3/8" Locknut	2	261650-1	261650-1	261650-1	261650-1	261650-1	261650-1	261650-1	261650-1
28	Swivel Union	1	S257-26	S257-26	S257-26	S257-26	S257-26	S257-26	S257-26	S257-26
Hose Assembly			None	601014-40	601017-50	None	601017-70	None	601021-30	601019-40
Hose I.D. x Length			None	3/8" x 40'	3/8" x 50'	None	3/8" x 70'	None	1/2" x 30'	1/2" x 40'
Reel Inlet Connection			1/2" NPT(F)	1/2" NPT(F)	1/2" NPT(F)	1/2" NPT(F)	1/2" NPT(F)	1/2" NPT(F)	1/2" NPT(F)	1/2" NPT(F)
Max. Operating Pressure			500 PSI	300 PSI	300 PSI	500 PSI	300 PSI	500 PSI	300 PSI	300 PSI
Max. Operating Temperature			210 °F	150 °F	150 °F	210 °F	150 °F	210 °F	150 °F	150 °F

Series 7000 Spring Driven Hose Reels

Item #	Description	# Req.	7850 OLP	7850 OLP121	7850 OLPSW57	7900 OLP	7925 OLP	7600 OMP	7630 OMP	7640 OMP
1	Swivel Assembly	1	S600888-1	S600888-1	S600888-1	S602026	S602026	S602033	S602033	S602033
3	90° Ell	2	None	None	None	S159-5	S159-5	None	None	None
4	Sheave Assembly	1	S260011	S260011	S260011	S260011	S260011	S260011	S260011	S260011
5	Drive Spring Assembly	1	S260037	S260037	S260037	S600023	S600023	S260053	S260053	S260053
6	Spring Arbor Assembly	1	S600621	S600621	S600621	S600621	S600621	S600621	S600621	S600621
7	Gasket	1	S260069	S260069	S260069	S260069	S260069	S260069	S260069	S260069
8	Spring Case Assembly	1	S260074	S260074	S260074	S260074	S260074	S260074	S260074	S260074
10	Main Shaft	1	602231	602231	602231	602231-1	602231-1	602231	602231	602231
11	1 1/4" Snap Ring	2	300007	300007	300007	300007	300007	300007	300007	300007
12	Base Assembly	1	S600016	600012	600016	600016	600016	600016	600016	600016
13	1/2-13 Set Screw	1	S35-84	S35-84	S35-84	S35-84	S35-84	S35-84	S35-84	S35-84
14	Guide arm with Rollers	1	S600017	S600017	S600017	S600017	S600017	S600017	S600017	S600017
15	Bumper Stop Assembly	1	2-HR1004-3	2-HR1004-3	2-HR1004-3	None	3-HR1004-3	None	1-HR1004-3	1-HR1004-3
16	5/16-18 Locknut	4	300107	300107	300107	300107	300107	300107	300107	300107
17	10-32 x 3/8" Nyloc Nut	7	S82-15	S82-15	S82-15	S82-15	S82-15	S82-15	S82-15	S82-15
18	1/2-20 x 5/8" Hex Nut	1	S280-8	S280-8	S280-8	S280-8	S280-8	S280-8	S280-8	S280-8
19	Latch Spring	1	S260067	S260067	S260067	S260067	S260067	S260067	S260067	S260067
21	10-32 Shoulder Screw	1	S393-2	S393-2	S393-2	S393-2	S393-2	S393-2	S393-2	S393-2
22	Latch Pawl Assembly	1	S600018	S600018	S600018	S600018	S600018	S600018	S600018	S600018
23	3/8-24 Jam Nut	1	S76-106	S76-106	S76-106	S76-106	S76-106	S76-106	S76-106	S76-106
24	Spring Case Stud	1	S260031	S260031	S260031	S260031	S260031	S260031	S260031	S260031
25	U-bolt	1	3-117440	3-117440	3-117440	5-117440	5-117440	3-117440	3-117440	3-117440
26	1/4-20 x 3/8" Locknut	2	261650-1	261650-1	261650-1	261650-1	261650-1	261650-1	261650-1	261650-1
28	Swivel Union	1	S257-26	S257-26	S257-26	None	None	S257-26	S257-26	S257-26
Hose Assembly			601021-50	601022-50	S601053-50	None	601026-25	None	3-260043	4-260043
Hose I.D. x Length			1/2" x 50'	1/2" x 50'	1/2" x 50'	None	3/4" x 25'	None	3/8" x 30'	3/8" x 40'
Reel Inlet Connection			1/2" NPT(F)	1/2" NPT(F)	3/4" NH	3/4" NPT(F)	3/4" NPT(F)	1/2" NPT(F)	1/2" NPT(F)	1/2" NPT(F)
Max. Operating Pressure			300 PSI	300 PSI	300 PSI	500 PSI	250 PSI	3000 PSI	2600 PSI	2600 PSI
Max. Operating Temperature			150 °F	150 °F	150 °F	210 °F	150 °F	210 °F	210 °F	210 °F

Item #	Description	# Req.	7650 OMP	7800 OMP	7830 OMP	7840 OMP	7850 OMP	7400 OHP	7440 OHP
1	Swivel Assembly	1	S602033	S602033	S602033	S602033	S602033	S602033	S602033
3	90° Ell	1	None	None	None	None	None	None	None
4	Sheave Assembly	1	S260011	S260011	S260011	S260011	S260011	S600364	S600364
5	Drive Spring Assembly	1	S260053	S260053	S260053	S260053	S260053	S260053	S260053
6	Spring Arbor Assembly	1	S600621	S600621	S600621	S600621	S600621	S600621	S600621
7	Gasket	1	S260069	S260069	S260069	S260069	S260069	S260069	S260069
8	Spring Case Assembly	1	S260074	S260074	S260074	S260074	S260074	S260074	S260074
10	Main Shaft	1	602231	602231	602231	602231	602231	602231	602231
11	1 1/4" Snap Ring	2	300007	300007	300007	300007	300007	300007	300007
12	Base Assembly	1	600016	600016	600016	S600016	S600016	S600016	S600016
13	1/2-13 Set Screw	1	S35-84	S35-84	S35-84	S35-84	S35-84	S35-84	S35-84
14	Guide arm with Rollers	1	S600017	S600017	S600017	S600017	S600017	S600017	S600017
15	Bumper Stop Assembly	1	1-HR1004-3	None	2-HR1004-3	2-HR1004-3	2-HR1004-3	None	1-HR1004-3A
16	5/16-18 Locknut	4	300107	300107	300107	300107	300107	300107	300107
17	10-32 x 3/8" Nyloc Nut	7	S82-15	S82-15	S82-15	S82-15	S82-15	S82-15	S82-15
18	1/2-20 x 5/8" Hex Nut	1	S280-8	S280-8	S280-8	S280-8	S280-8	S280-8	S280-8
19	Latch Spring	1	S260067	S260067	S260067	S260067	S260067	S260067	S260067
21	10-32 Shoulder Screw	1	S393-2	S393-2	S393-2	S393-2	S393-2	S393-2	S393-2
22	Latch Pawl Assembly	1	S600018	S600018	S600018	S600018	S600018	S600018	S600018
23	3/8-24 Jam Nut	1	S76-106	S76-106	S76-106	S76-106	S76-106	S76-106	S76-106
24	Spring Case Stud	1	S260031	S260031	S260031	S260031	S260031	S260031	S260031
25	U-bolt	1	3-117440	3-117440	3-117440	3-117440	3-117440	3-117440	3-117440
26	1/4-20 x 3/8" Locknut	2	261650-1	261650-1	261650-1	261650-1	261650-1	261650-1	261650-1
28	Swivel Union	1	S257-26	S257-26	S257-26	S257-26	S257-26	S257-72	S257-72
Hose Assembly			5-260043	None	6-260043	7-260043	8-260043	None	8-260044
Hose I.D. x Length			3/8" x 50'	None	1/2" x 30'	1/2" x 40'	1/2" x 50'	None	1/4" x 40'
Reel Inlet Connection			1/2" NPT(F)	1/2" NPT(F)	1/2" NPT(F)	1/2" NPT(F)	1/2" NPT(F)	1/4" NPT(F)	1/4" NPT(F)
Max. Operating Pressure			2600 PSI	3250 PSI	3250 PSI	3250 PSI	3250 PSI	5000 PSI	5000 PSI
Max. Operating Temperature			210 °F	210 °F	210 °F	210 °F	210 °F	210 °F	210 °F

Series 7000 Spring Driven Hose Reels

Item #	Description	# Req.	7450 OHP	7600 OHP	7640 OHP	7650 OHP	7650 OLP-HTH	7850 OLP-HTH121	7925 OLP-HTH
1	Swivel Assembly	1	S602033	S602033	S602033	S602033	S600923-1	S600923-1	S602026-1
3	90° Ell	1	None	None	None	None	None	None	S157-4
4	Sheave Assembly	1	S600364	S260011	S260011	S260011	S260011	S260011	S260011
5	Drive Spring Assembly	1	S260053	S260053	S260053	S260053	260028-1	260037	600023
6	Spring Arbor Assembly	1	S600621	S600621	S600621	S600621	S600621	S600621	S600621
7	Gasket	1	S260069	S260069	S260069	S260069	S260069	S260069	S260069
8	Spring Case Assembly	1	S260074	S260074	S260074	S260074	S260074	S260074	S260074
10	Main Shaft	1	602231	602231	602231	602231	602231	602231	602231-1
11	1 1/4" Snap Ring	2	300007	300007	300007	300007	300007	300007	300007
12	Base Assembly	1	S600016	S600016	S600016	S600016	S600016	S600016	S600016
13	1/2-13 Set Screw	1	S35-84	S35-84	S35-84	S35-84	S35-84	S35-84	S35-84
14	Guide arm with Rollers	1	S600017	S600017	S600017	S600017	S600017	S600017	S600017
15	Bumper Stop Assembly	1	1-HR1004-3A	None	1-HR1004-3	1-HR1004-3	1-HR1004-3	2-HR1004-3	3-HR1004-3
16	5/16-18 Locknut	4	300107	300107	300107	300107	300107	300107	300107
17	10-32 x 3/8" Nyloc Nut	7	S82-15	S82-15	S82-15	S82-15	S82-15	S82-15	S82-15
18	1/2-20 x 5/8" Hex Nut	1	S280-8	S280-8	S280-8	S280-8	S280-8	S280-8	S280-8
19	Latch Spring	1	S260067	S260067	S260067	S260067	S260067	S260067	S260067
21	10-32 Shoulder Screw	1	S393-2	S393-2	S393-2	S393-2	S393-2	S393-2	S393-2
22	Latch Pawl Assembly	1	S600018	S600018	S600018	S600018	S600018	S600018	S600018
23	3/8-24 Jam Nut	1	S76-106	S76-106	S76-106	S76-106	S76-106	S76-106	S76-106
24	Spring Case Stud	1	S260031	S260031	S260031	S260031	S260031	S260031	S260031
25	U-bolt	1	3-117440	3-117440	3-117440	3-117440	3-117440	3-117440	3-117440
26	1/4-20 x 3/8" Locknut	2	261650-1	261650-1	261650-1	261650-1	261650-1	261650-1	261650-1
28	Swivel Union	1	S257-72	S257-72	S257-72	S257-72	S257-72	S257-72	S257-72
Hose Assembly			9-260044	None	4-260044	5-260044	601143-50	601148-50	601146-25
Hose I.D. x Length			1/4" x 50'	None	3/8" x 40'	3/8" x 50'	3/8" x 50'	1/2" x 50'	3/4" x 25'
Reel Inlet Connection			1/4" NPT(F)	1/4" NPT(F)	1/4" NPT(F)	1/4" NPT(F)	1/2" NPT(F)	1/2" NPT(F)	3/4" NPT(F)
Max. Operating Pressure			5000 PSI	5000 PSI	4800 PSI	4800 PSI	300 PSI	300 PSI	300 PSI
Max. Operating Temperature			210 °F	210 °F	210 °F	210 °F	212 °F (Air) 180 °F (Water)	212 °F (Air) 180 °F (Water)	212 °F (Air) 180 °F (Water)

Instrucciones de Operacion

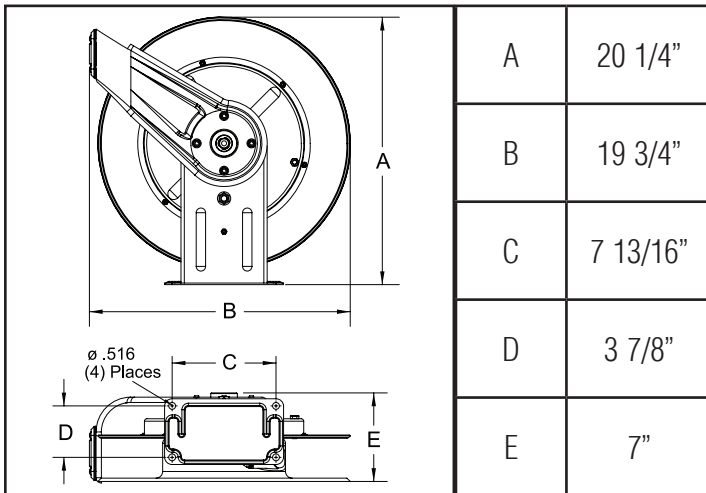
Series 7000 Carreteles para Mangueras

Bajo, medio y números de modelo de alta presión:

7600 OLP	7830 OLP	7925 OLP	7830 OMP	7600 OHP
7640 OLP	7840 OLP	7600 OMP	7840 OMP	7640 OHP
7650 OLP	7850 OLP	7630 OMP	7850 OMP	7650 OHP
7607 OLP	7850 OLP121	7640 OMP	7400 OHP	7650 OLP-HTH
7670 OLP	7850 OLPSW57	7650 OMP	7440 OHP	7850 OLP-HTH121
7800 OLP	7900 OLP	7800 OMP	7450 OHP	7925 OLP-HTH



Dimensiones



IMPORTANTE

Lea este manual detenidamente antes de instalar, operar o dar servicio a este equipo.

Seguridad

Podrían ocurrir lesiones personales y/o daños en el equipo si no se siguen las instrucciones de seguridad adecuadas.

- Asegúrese de que el carretel esté instalado apropiadamente antes de conectar las mangueras de entrada y de salida.
- Purgue la presión de fluidos/gases del sistema antes de suministrar servicio al carretel.
- Antes de conectar el carretel a la línea de suministro, asegúrese de que la presión no exceda la clasificación máxima de la presión operativa del carretel.
- Recuerde que aún la presión baja es muy peligrosa y podría causar lesiones personales o la muerte.
- Esté atento y fíjese si hay maquinaria o personas en el área de trabajo.
- Si existe una fuga en la manguera o en el carretel, elimine inmediatamente la presión del sistema.
- Hay un ensamblaje de resorte de tensión alta en el interior del carretel. Sea extremadamente precavido.
- Jale la manguera del carretel sujetando la manguera, y no la válvula de control.
- Si el carretel deja de desenrollarse o enrollarse, elimine inmediatamente la presión del sistema. ¡No jale ni sacuda la manguera!
- Trate y utilice el carretel de manguera como lo haría con cualquier otra máquina, siguiendo todas las pautas de seguridad generales.

INSTRUCCIONES DE INSTALACIÓN

Montaje

PRECAUCIÓN: A menos de que el carretel haya sido suministrado con características diferentes al ordenarlo, la altura máxima de instalación es de 16 pies. No exceda esta altura.

1. Desempaque e inspeccione si el riel está dañado. Girelo con la mano suave y revise su integridad.
2. Configure el riel por arriba, abajo o lados, enrrolle el dispensador de la manguera para remover las tuercas (1) Asegurando la guía de soporte de el brazo para escoger el sitio, reemplaze las tuercas.

ATENCIÓN: Al cambiar las posiciones del brazo guía, el perno en U debe colocarse en la posición correcta, como se indica en la figura A. Si no se cumple con esta instrucción, el carrete puede bloquearse durante el uso.

3. Posicione el carretel sobre el piso, pared o techo. Asegurese de instalarlo usando cuatro tornillos (abastecidos al cliente) y (3) tuercas.

INSTALACIÓN DE LA MANGUERA DE ENTRADA

ADVERTENCIA: Asegurece que la línea de abastecimiento de presión no exceda el máximo rango de trabajo de presión de el carretel. Aplique sellante de roscas para tubería. **PRECAUCIÓN:** Use conexiones de manguera flexible en la entrada. No use tubería rígida.

1. Conecte la línea de abastecimiento de la manguera (4) a la entrada principal del canal del eje giratorio (5) como se indica en la ilustración.

INSTALACIÓN DE LA SALIDA DE LA(S) MANGUERA(S)

ADVERTENCIA: Use extrema precaución; carretel bajo tensión. Aplique sellante de roscas para tubería a todas las roscas estándar.

1. Manualmente gire la rueda exéntrica o riel (10) hasta que el resorte este apretado, devuelvalo 3 giros y entonces asegúrelo.
2. Encamine la(s) salida(s) de la manguera(s) (11) hasta la guía de soporte de el brazo (2), tornillos-U (12) entonces saquelos a través (13) del carretel como se indica en la ilustración.
3. Conecte la(s) salida(s) de la(s) (11) a el eje giratorio (14) como se indica en la ilustración.
4. Aprite los tornillos-U (12).
5. Cargue las mangueras. Momentaneamente abra la válvula de control para purgar la mangueras de los gases cuando el fluido aparesca en el control de las válvulas, cierre la válvula, Con las mangueras totalmente cardas, suelte el seguro y enrrolle la(s) manguera(s) sobre el carretel.

AJUSTAMIENTOS

ADVERTENCIA: Use extrema precaución,

carretel bajo tensión. Evite soltar el seguro mecánico. Si es necesario, ajuste el resorte de tensión de el carretel poniendo ó quitando vueltas de la manguera del carretel una vuelta a la vez hasta que la tensión deseada es obtenida. Adicione vueltas para incrementar la tensión. Quite vueltas para decrecer la tensión.

INSTRUCCIONES DE SERVICIO

El suministro de servicio por parte del usuario se limita únicamente a reemplazar mangueras de entrada/salida. Remita cualquier otra reparación a un técnico de servicio autorizado o directamente a Reelcraft. El no hacerlo podría resultar en lesiones personales y/o daños del equipo que podrían anular la garantía.

Advertencia: Enrolle la manguera en el carretel, y después purgue la presión del sistema antes de efectuar los siguientes procedimientos. **Precaución:** Elimine toda la tensión del resorte antes de desensamblar el carretel de manguera. No trate de abrir el ensamblaje remachado de la caja de resorte.

1. Reemplace la manguera de acuerdo con los procedimientos de la sección Instrucciones de Instalación de este manual.
2. Todas las partes móviles correspondientes han sido lubricadas adecuadamente en la fábrica.

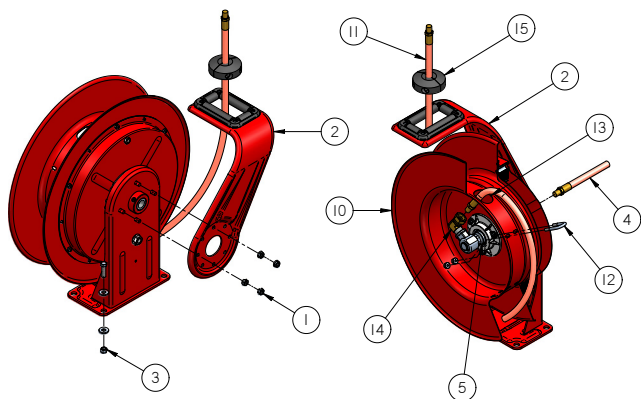
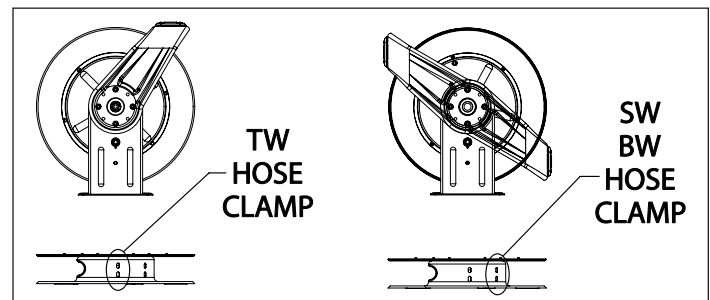
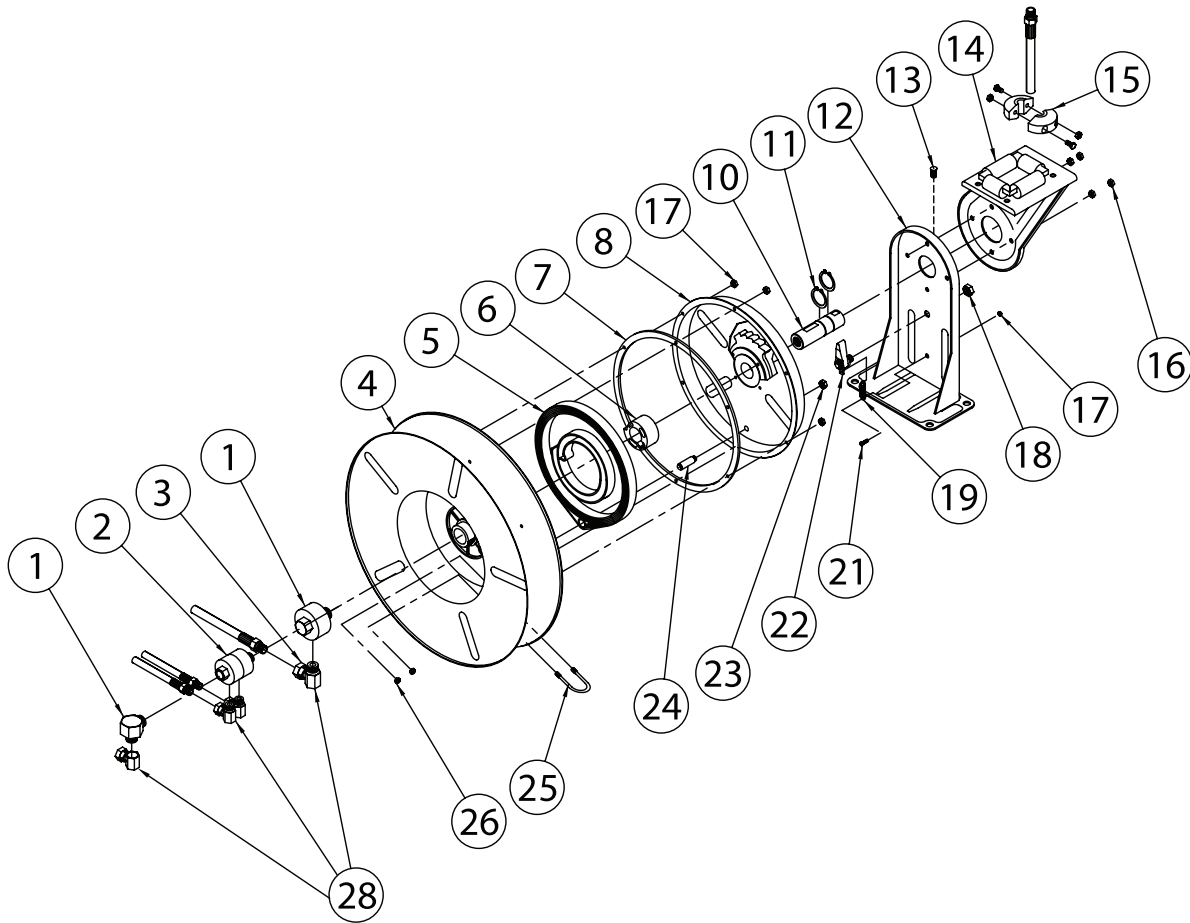


Figura A





ART. NO.	Descripción	NO. REQ.	7600 OLP	7640 OLP	7650 OLP	7607 OLP	7670 OLP	7800 OLP	7830 OLP	7840 OLP
1	Eje giratorio ensamblado	1	S600888-1	S600888-1	S600888-1	S600888-1	S600888-1	S600888-1	S600888-1	S600888-1
3	Codo de 90 grados	1	None	None	None	None	None	None	None	None
4	Polea ensamblada	1	S260011	S260011	S260011	S260011	S260011	S260011	S260011	S260011
5	Resorte ensamblado de propulcion	1	S260028	S260028-1	260028-1	S260028	S260028	S260037	S260037	S260037
6	Resorte del arbol	1	S600621	S600621	S600621	S600621	S600621	S600621	S600621	S600621
7	Empaque	1	S260069	S260069	S260069	S260069	S260069	S260069	S260069	S260069
8	Resorte de la caja ensamblada	1	S260074	S260074	S260074	S260074	S260074	S260074	S260074	S260074
10	Columna principal	1	602231	602231	602231	602231	602231	602231	602231	602231
11	1 1/4" Anillo de resorte	2	300007	300007	300007	300007	300007	300007	300007	300007
12	Base ensamblada	1	S600016	S600016	S600016	S600016	S600016	S600016	S600016	S600016
13	1/2-13 T ornillo	1	S35-84	S35-84	S35-84	S35-84	S35-84	S35-84	S35-84	S35-84
14	Guia del brazo con rodillos	1	S600017	S600017	S600017	S600017	S600017	S600017	S600017	S600017
15	Parachoque ensamblada	1	None	1-HR1004-3	1-HR1004-3	None	1-HR1004-3	None	2-HR1004-3	2-HR1004-3
16	5/16-18 Contre écrou	4	300107	300107	300107	300107	300107	300107	300107	300107
17	10-32 x 3/8" écrou Nyloc	7	S82-15	S82-15	S82-15	S82-15	S82-15	S82-15	S82-15	S82-15
18	1/2-20 x 5/8" écrou hexagonal	1	S280-8	S280-8	S280-8	S280-8	S280-8	S280-8	S280-8	S280-8
19	Ressort de loquet	1	S260067	S260067	S260067	S260067	S260067	S260067	S260067	S260067
21	10-32 tornillo de hombro	1	S393-2	S393-2	S393-2	S393-2	S393-2	S393-2	S393-2	S393-2
22	Assemblage de cliquet	1	S600018	S600018	S600018	S600018	S600018	S600018	S600018	S600018
23	3/8-24 contre-écrou	1	S76-106	S76-106	S76-106	S76-106	S76-106	S76-106	S76-106	S76-106
24	Boulon de boîtier de ressort	1	S260031	S260031	S260031	S260031	S260031	S260031	S260031	S260031
25	Tornillo "u"	1	3-117440	3-117440	3-117440	3-117440	3-117440	3-117440	3-117440	3-117440
26	1/4-20 x 3/8" contre-écrou	2	261650-1	261650-1	261650-1	261650-1	261650-1	261650-1	261650-1	261650-1
28	Union del eje giratorio	1	S257-26	S257-26	S257-26	S257-26	S257-26	S257-26	S257-26	S257-26
	Manguera del ensamblada		None	601014-40	601017-50	None	601017-70	None	601021-30	601019-40
	Manguera I.D. y Medida		None	3/8" x 40'	3/8" x 50'	None	3/8" x 70'	None	1/2" x 30'	1/2" x 40'
	Conexion de Entrada al Carretel		1/2" FPT	1/2" FPT	1/2" FPT	1/2" FPT	1/2" FPT	1/2" FPT	1/2" FPT	1/2" FPT
	Max. Presion de Operacion		500 PSI	300 PSI	300 PSI	500 PSI	300 PSI	500 PSI	300 PSI	300 PSI
	Max. Temperatura de Operacion		210 °F	150 °F	150 °F	210 °F	150 °F	210 °F	150 °F	150 °F

Series 7000 Carreteles para Mangueras

ART. NO.	Descripción	NO. REQ.	7850 OLP	7850 OLP121	7850 OLP57	7900 OLP	7925 OLP	7600 OMP	7630 OMP	7640 OMP
1	Eje giratorio ensamblado	1	S600888-1	S600888-1	S600888-1	S602026	S602026	S602033	S602033	S602033
3	Codo de 90 grados	1	Ninguno	Ninguno	Ninguno	S159-5	S159-5	Ninguno	Ninguno	Ninguno
4	Polea ensamblada	1	S260011	S260011	S260011	S260011	S260011	S260011	S260011	S260011
5	Resorte ensamblado de propulcion	1	S260037	S260037	S260037	S600023	S600023	S260053	S260053	S260053
6	Resorte del arbol	1	S600621	S600621	S600621	S600621	S600621	S600621	S600621	S600621
7	Empaque	1	S260069	S260069	S260069	S260069	S260069	S260069	S260069	S260069
8	Resorte de la caja ensamblada	1	S260074	S260074	S260074	S260074	S260074	S260074	S260074	S260074
10	Columna principal	1	602231	602231	602231	602231-1	602231-1	602231	602231	602231
11	1 1/4" Anillo de resorte	2	300007	300007	300007	300007	300007	300007	300007	300007
12	Base ensamblada	1	S600016	600012	600016	600016	600016	600016	600016	600016
13	1/2-13 T ornillo	1	S35-84	S35-84	S35-84	S35-84	S35-84	S35-84	S35-84	S35-84
14	Guia del brazo con rodillos	1	S600017	S600017	S600017	S600017	S600017	S600017	S600017	S600017
15	Parachoque ensamblada	1	2-HR1004-3	2-HR1004-3	2-HR1004-3	Ninguno	3-HR1004-3	Ninguno	1-HR1004-3	1-HR1004-3
16	5/16-18 Contre écrou	4	300107	300107	300107	300107	300107	300107	300107	300107
17	10-32 x 3/8" écrou Nyloc	7	S82-15	S82-15	S82-15	S82-15	S82-15	S82-15	S82-15	S82-15
18	1/2-20 x 5/8" écrou hexagonal	1	S280-8	S280-8	S280-8	S280-8	S280-8	S280-8	S280-8	S280-8
19	Ressort de loquet	1	S260067	S260067	S260067	S260067	S260067	S260067	S260067	S260067
21	10-32 tornillo de hombro	1	S393-2	S393-2	S393-2	S393-2	S393-2	S393-2	S393-2	S393-2
22	Assemblage de cliquet	1	S600018	S600018	S600018	S600018	S600018	S600018	S600018	S600018
23	3/8-24 contre-écrou	1	S76-106	S76-106	S76-106	S76-106	S76-106	S76-106	S76-106	S76-106
24	Boulon de boîtier de ressort	1	S260031	S260031	S260031	S260031	S260031	S260031	S260031	S260031
25	Tornillo "u"	1	3-117440	3-117440	3-117440	5-117440	5-117440	3-117440	3-117440	3-117440
26	1/4-20 x 3/8" contre-écrou	2	261650-1	261650-1	261650-1	261650-1	261650-1	261650-1	261650-1	261650-1
28	Union del eje giratorio	1	S257-26	S257-26	S257-26	Ninguno	Ninguno	S257-26	S257-26	S257-26
Manguera del ensamblada			601021-50	601022-50	S601053-50	Ninguno	601026-25	Ninguno	3-260043	4-260043
Manguera I.D. y Medida			1/2" x 50'	1/2" x 50'	1/2" x 50'	Ninguno	3/4" x 25'	Ninguno	3/8" x 30'	3/8" x 40'
Coneccion de Entrada al Carretel			1/2" FPT	1/2" FPT	3/4" NH	3/4" FPT	3/4" FPT	1/2" FPT	1/2" FPT	1/2" FPT
Max. Presion de Operacion			300 PSI	300 PSI	300 PSI	500 PSI	250 PSI	3000 PSI	2600 PSI	2600 PSI
Max. Temperatura de Operacion			150 °F	150 °F	150 °F	210 °F	150 °F	210 °F	210 °F	210 °F

ART. NO.	Descripción	NO. REQ.	7650 OMP	7800 OMP	7830 OMP	7840 OMP	7850 OMP	7400 OHP	7440 OHP
1	Eje giratorio ensamblado	1	S602033	S602033	S602033	S602033	S602033	S602033	S602033
3	Codo de 90 grados	1	Ninguno	Ninguno	Ninguno	Ninguno	Ninguno	Ninguno	Ninguno
4	Polea ensamblada	1	S260011	S260011	S260011	S260011	S260011	S600364	S600364
5	Resorte ensamblado de propulcion	1	S260053	S260053	S260053	S260053	S260053	S260053	S260053
6	Resorte del arbol	1	S600621	S600621	S600621	S600621	S600621	S600621	S600621
7	Empaque	1	S260069	S260069	S260069	S260069	S260069	S260069	S260069
8	Resorte de la caja ensamblada	1	S260074	S260074	S260074	S260074	S260074	S260074	S260074
10	Columna principal	1	602231	602231	602231	602231	602231	602231	602231
11	1 1/4" Anillo de resorte	2	300007	300007	300007	300007	300007	300007	300007
12	Base ensamblada	1	600016	600016	600016	S600016	S600016	S600016	S600016
13	1/2-13 T ornillo	1	S35-84	S35-84	S35-84	S35-84	S35-84	S35-84	S35-84
14	Guia del brazo con rodillos	1	S600017	S600017	S600017	S600017	S600017	S600017	S600017
15	Parachoque ensamblada	1	1-HR1004-3	Ninguno	2-HR1004-3	2-HR1004-3	2-HR1004-3	Ninguno	1-HR1004-3A
16	5/16-18 Contre écrou	4	300107	300107	300107	300107	300107	300107	300107
17	10-32 x 3/8" écrou Nyloc	7	S82-15	S82-15	S82-15	S82-15	S82-15	S82-15	S82-15
18	1/2-20 x 5/8" écrou hexagonal	1	S280-8	S280-8	S280-8	S280-8	S280-8	S280-8	S280-8
19	Ressort de loquet	1	S260067	S260067	S260067	S260067	S260067	S260067	S260067
21	10-32 tornillo de hombro	1	S393-2	S393-2	S393-2	S393-2	S393-2	S393-2	S393-2
22	Assemblage de cliquet	1	S600018	S600018	S600018	S600018	S600018	S600018	S600018
23	3/8-24 contre-écrou	1	S76-106	S76-106	S76-106	S76-106	S76-106	S76-106	S76-106
24	Boulon de boîtier de ressort	1	S260031	S260031	S260031	S260031	S260031	S260031	S260031
25	Tornillo "u"	1	3-117440	3-117440	3-117440	3-117440	3-117440	3-117440	3-117440
26	1/4-20 x 3/8" contre-écrou	2	261650-1	261650-1	261650-1	261650-1	261650-1	261650-1	261650-1
28	Union del eje giratorio	1	S257-26	S257-26	S257-26	S257-26	S257-26	S257-72	S257-72
Manguera del ensamblada			5-260043	Ninguno	6-260043	7-260043	8-260043	Ninguno	8-260044
Manguera I.D. y Medida			3/8" x 50'	Ninguno	1/2" x 30'	1/2" x 40'	1/2" x 50'	Ninguno	1/4" x 40'
Coneccion de Entrada al Carretel			1/2" FPT	1/2" FPT	1/2" FPT	1/2" FPT	1/2" FPT	1/4" FPT	1/4" FPT
Max. Presion de Operacion			2600 PSI	3250 PSI	3250 PSI	3250 PSI	3250 PSI	5000 PSI	5000 PSI
Max. Temperatura de Operacion			210 °F	210 °F	210 °F	210 °F	210 °F	210 °F	210 °F

Series 7000 Spring Driven Hose Reels

ART. NO.	Descripción	NO. REQ.	7450 OHP	7600 OHP	7640 OHP	7650 OHP	7650 OLP-HTH	7850 OLP-HTH121	7925 OLP-HTH
1	Eje giratorio ensamblado	1	S602033	S602033	S602033	S602033	S600923-1	S600923-1	S602026-1
3	Codo de 90 grados	1	Ninguno	Ninguno	Ninguno	Ninguno	Ninguno	Ninguno	S157-4
4	Polea ensamblada	1	S600364	S260011	S260011	S260011	S260011	S260011	S260011
5	Resorte ensamblado de propulsión	1	S260053	S260053	S260053	S260053	260028-1	260037	600023
6	Resorte del arbol	1	S600621	S600621	S600621	S600621	S600621	S600621	S600621
7	Empaque	1	S260069	S260069	S260069	S260069	S260069	S260069	S260069
8	Resorte de la caja ensamblada	1	S260074	S260074	S260074	S260074	S260074	S260074	S260074
10	Columna principal	1	602231	602231	602231	602231	602231	602231	602231-1
11	1 1/4" Anillo de resorte	2	300007	300007	300007	300007	300007	300007	300007
12	Base ensamblada	1	S600016	S600016	S600016	S600016	S600016	S600016	S600016
13	1/2-13 T ornillo	1	S35-84	S35-84	S35-84	S35-84	S35-84	S35-84	S35-84
14	Guia del brazo con rodillos	1	S600017	S600017	S600017	S600017	S600017	S600017	S600017
15	Parachoque ensamblada	1	1-HR1004-3A	Ninguno	1-HR1004-3	1-HR1004-3	1-HR1004-3	2-HR1004-3	3-HR1004-3
16	5/16-18 Contre écrou	4	300107	300107	300107	300107	300107	300107	300107
17	10-32 x 3/8" écrou Nyloc	7	S82-15	S82-15	S82-15	S82-15	S82-15	S82-15	S82-15
18	1/2-20 x 5/8" écrou hexagonal	1	S280-8	S280-8	S280-8	S280-8	S280-8	S280-8	S280-8
19	Ressort de loquet	1	S260067	S260067	S260067	S260067	S260067	S260067	S260067
21	10-32 tornillo de hombro	1	S393-2	S393-2	S393-2	S393-2	S393-2	S393-2	S393-2
22	Assemblage de cliquet	1	S600018	S600018	S600018	S600018	S600018	S600018	S600018
23	3/8-24 contre-écrou	1	S76-106	S76-106	S76-106	S76-106	S76-106	S76-106	S76-106
24	Boulon de boîtier de ressort	1	S260031	S260031	S260031	S260031	S260031	S260031	S260031
25	Tornillo "u"	1	3-117440	3-117440	3-117440	3-117440	3-117440	3-117440	3-117440
26	1/4-20 x 3/8" contre-écrou	2	261650-1	261650-1	261650-1	261650-1	261650-1	261650-1	261650-1
28	Union del eje giratorio	1	S257-72	S257-72	S257-72	S257-72	S257-72	S257-72	S257-72
Manguera del ensamblada			9-260044	Ninguno	4-260044	5-260044	601143-50	601148-50	601146-25
Manguera I.D. y Medida			1/4" x 50'	Ninguno	3/8" x 40'	3/8" x 50'	3/8" x 50'	1/2" x 50'	3/4" x 25'
Coneccion de Entrada al Carretel			1/4" NPT(F)	1/4" NPT(F)	1/4" NPT(F)	1/4" NPT(F)	1/2" NPT(F)	1/2" NPT(F)	3/4" NPT(F)
Max. Presion de Operacion			5000 PSI	5000 PSI	4800 PSI	4800 PSI	300 PSI	300 PSI	300 PSI
Max. Temperatura de Operacion			210 °F	210 °F	210 °F	210 °F	212 °F (Aire) 180 °F (Agua)	212 °F (Aire) 180 °F (Agua)	212 °F (Aire) 180 °F (Agua)

Instructions D'Opération

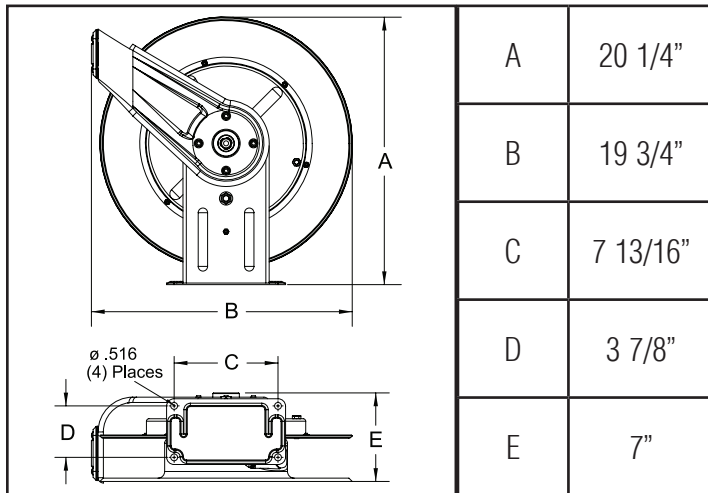
Série 7000 Enrouleurs de Tuyau

Bas, milieu et numéros de type à haute pression:

7600 OLP	7830 OLP	7925 OLP	7830 OMP	7600 OHP
7640 OLP	7840 OLP	7600 OMP	7840 OMP	7640 OHP
7650 OLP	7850 OLP	7630 OMP	7850 OMP	7650 OHP
7607 OLP	7850 OLP121	7640 OMP	7400 OHP	7650 OLP-HTH
7670 OLP	7850 OLPSW57	7650 OMP	7440 OHP	7850 OLP-HTH121
7800 OLP	7900 OLP	7800 OMP	7450 OHP	7925 OLP-HTH



Dimensions



IMPORTANT

Lisez ce manuel soigneusement avant d'installer, actionner, ou entretenir cet équipement.

Sécurité

Podrían ocurrir lesiones personales y/o daños en el equipo si no se siguen las instrucciones de seguridad adecuadas.

- Assurez-vous que l'enrouleur est correctement installé avant de raccorder les tuyaux d'entrée et de sortie.
- Evacuez tout liquide/gaz sous pression du système avant d'entreprendre l'entretien de l'enrouleur.
- Avant de raccorder l'enrouleur à la ligne d'alimentation, assurez-vous que la pression n'excède pas la pression de fonctionnement nominale maximum de l'enrouleur.
- Souvenez-vous, même les pressions basses sont dangereuses et peuvent provoquer des blessures ou la mort.
- Ayez conscience des machines et des personnes se trouvant dans la zone de travail.
- Si une fuite apparaît dans le tuyau ou l'enrouleur, décompressez le système immédiatement.
- L'enrouleur comporte un assemblage à ressort de haute tension. Observez la plus grande prudence.
- Sortez le tuyau de l'enrouleur en tirant sur le tuyau lui-même, pas sur l'embout.
- Si l'enrouleur arrête d'enrouler ou de dérouler, décompressez le système immédiatement. Ne pas tirer ou secouer le tuyau !
- Comme avec toute autre machine, traitez l'enrouleur de tuyau avec respect, en observant les consignes de sécurité habituelles.

CONSIGNES D'INSTALLATION

MONTAMIENTO

AVERTISSEMENT: Sauf enrouleur a été spécifié différemment lors de la commande, au maximum hauteur d'installation est de 16 pieds. Ne pas dépasser cette distance.

1. Déballez l'enrouleur et inspectez-le pour déceler le dommage. Faites tourner à la main pour vérifier le bon fonctionnement. Vérifiez l'enrouleur pour voir s'il est complet.
2. Agencez l'enrouleur en prévision d'une sortie laterale, par le haut, ou par le bas en enlevant les écrous qui correspondent au support. Fixez le support guide la position désirée, et remplacez les écrous.
3. Positionnez l'enrouleur au sol, au mur, ou au plafond. Fixez-le solidement en utilisant 4 boulons (fournis par le client).

INSTALLATION DES TUYAUX D'ENTRÉS

MIS EN GARDE: Assurez-vous que la pression du tuyau d'alimentation ne dépasse pas la pression maximum qui est spécifié pour l'enrouleur. Appliquez du matériau d'étanchéité pour les filets de tuyau à tous les filets uniquement sur les enrouleurs. **AVERTISSEMENT:** Utilisez un raccord flexible à l'entrée. N'utilisez pas les tuyaux rigides.

1. Connectez la ligne d'alimentation (4) à la manche d'entrée principale (5) comme indiqué.

INSTALLATION DES TUYAUX DE SORTIES

MIS EN GARDE: Faites attention; enrouleur sous tension! Évitez de lâcher le mécanisme d'accrochage. Appliquez du matériau d'étanchéité pour les filets du tuyau à tous les filets uniquement sur les enrouleurs.

1. Tournez à la main la poulie (10) jusqu'au ressort est tendu, puis tournez-la 3 tours à la sense opposite, puis fermez au loquet.
2. Guidez le(s) tuyau(x) (11) à travers le support guide, les boulons en U (12), et puis à travers le trou (13) dans l'enrouleur comme indiqué.
3. Connectez le(s) tuyau(x) (11) au raccord tournant (14) comme indiqué.
4. Serrez bien le boulons en U.
5. Chargez le(s) tuyau(x). Ouvrez momentanément la vanne de régulation pour évacuer le(s) tuyau(x) des gaz. Quand du fluide arrive à la vanne de régulation, fermez-la. Lorsque le(s) tuyau(x) sont complètement chargé(s), relâchez le mécanisme d'accrochage et enroulez le(s) tuyau(x) de sortie sur l'enrouleur.

RÉGLAGES

MISE EN GARDE: Faites attention; enrouleur sous tension. Évitez de relâcher le mécanisme d'accrochage. Au besoin, réglez la tension du ressort l'enrouleur en ajoutant ou en enlevant un tour de câble à la fois jusqu'à l'obtention de la tension désirée. Ajoutez un tour de câble pour augmenter la tension. Enlevez un

tour pour l'effet contraire.

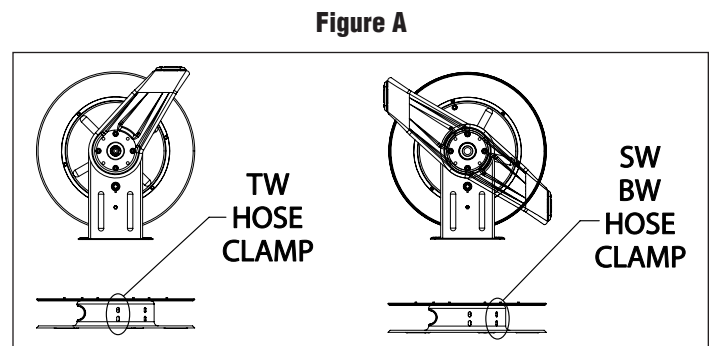
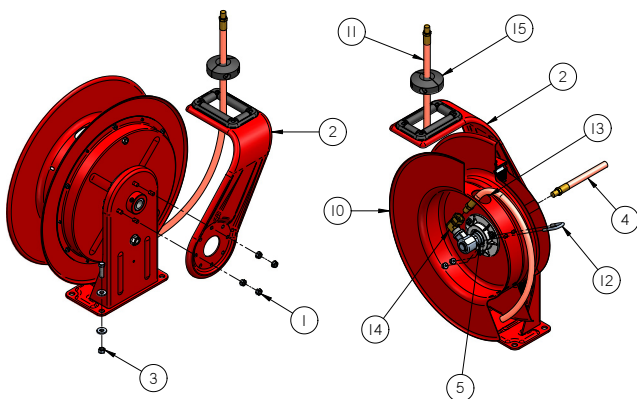
DIRECTIVES DE MAINTENANCE

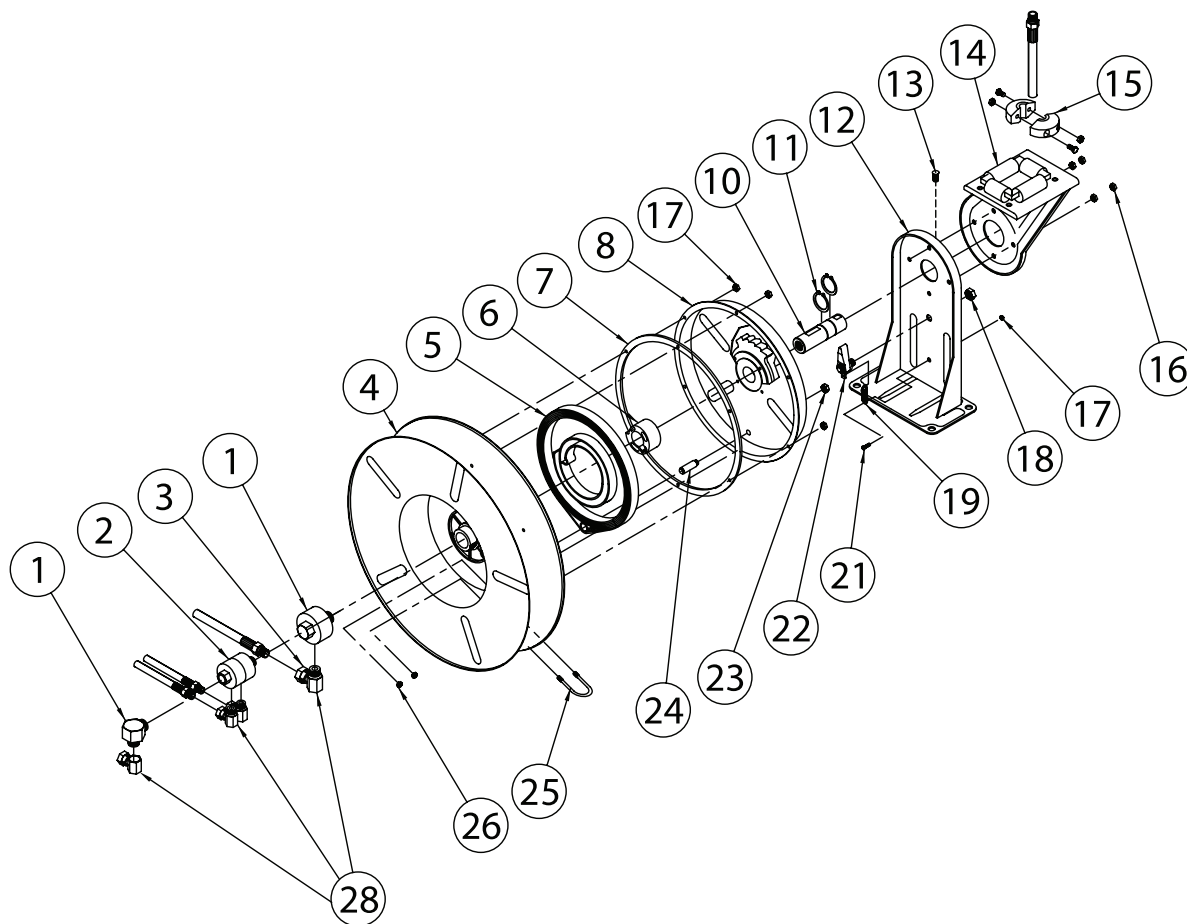
La maintenance de l'enrouleur par l'utilisateur est limitée à la remplacement des tuyaux d'entrée et de sortie. Signalez tout autre problème seulement à une personne autorisée ou directement à Reelcraft. Inobservation de le faire peut résulter en blessure personnel et/ou le dommage d'équipement. En plus, la garantie peut être annulée. **MISE EN GARDE:** Rebobinez le tuyau à l'enrouleur, et puis évacuez la pression du système avant de faire ce qui suit.

1. Remplacez les tuyaux comme décrité au paragraphe "Instructions d'Installation" qui se trouve dans ce manuel.

AVERTISSEMENT: Quand vous remplacez le ressort de mouvement, maintenez-le bien en place lorsque le moyeu est enlevé. Si le centre du ressort peut se lever, il peut échapper de son conteneur avec assez de force de causer des blessures. En jetant de vieux assemblages ou des assemblages cassés, les câbles doivent être soudés ensemble ou fixés ensemble pour éviter des blessures possibles aux ferrailleurs.

1. Toutes les pièces qui se touchent en mouvant doivent être lubrifiées avec du Perma Bond ou du Loctite (composé qui empêche le grippage).





ART N°.	DÉSCRIPTION	N° REQ.	7600 OLP	7640 OLP	7650 OLP	7607 OLP	7670 OLP	7800 OLP	7830 OLP	7840 OLP
1	Assemblage de pivot	1	S600888-1	S600888-1	S600888-1	S600888-1	S600888-1	S600888-1	S600888-1	S600888-1
3	Coude à 90°	1	Aucun	Aucun	Aucun	Aucun	Aucun	Aucun	Aucun	Aucun
4	Assemblage de poulie	1	S260011	S260011	S260011	S260011	S260011	S260011	S260011	S260011
5	Assemblage de ressort de mouvement	1	S260028	S260028-1	260028-1	S260028	S260028	S260037	S260037	S260037
6	Mandrin de ressort	1	S600621	S600621	S600621	S600621	S600621	S600621	S600621	S600621
7	Joint d'étanchéité	1	S260069	S260069	S260069	S260069	S260069	S260069	S260069	S260069
8	Assemblage de boîtier de ressort	1	S260074	S260074	S260074	S260074	S260074	S260074	S260074	S260074
10	Arbre principal	1	602231	602231	602231	602231	602231	602231	602231	602231
11	1 1/4" dispositif de retenue	2	300007	300007	300007	300007	300007	300007	300007	300007
12	Assemblage de base	1	S600016	S600016	S600016	S600016	S600016	S600016	S600016	S600016
13	1/2-13 vis sans tête	1	S35-84	S35-84	S35-84	S35-84	S35-84	S35-84	S35-84	S35-84
14	Assemblage de guide	1	S600017	S600017	S600017	S600017	S600017	S600017	S600017	S600017
15	Assemblage d'arrêt	1	Aucun	1-HR1004-3	1-HR1004-3	Aucun	1-HR1004-3	Aucun	2-HR1004-3	2-HR1004-3
16	5/16-18 contre écrou	4	300107	300107	300107	300107	300107	300107	300107	300107
17	10-32 x 3/8" écrou Nyloc	7	S82-15	S82-15	S82-15	S82-15	S82-15	S82-15	S82-15	S82-15
18	1/2-20 x 5/8" écrou hexagonal	1	S280-8	S280-8	S280-8	S280-8	S280-8	S280-8	S280-8	S280-8
19	Ressort de loquet	1	S260067	S260067	S260067	S260067	S260067	S260067	S260067	S260067
21	10-32 vis à épaulement	1	S393-2	S393-2	S393-2	S393-2	S393-2	S393-2	S393-2	S393-2
22	Assemblage de cliquet	1	S600018	S600018	S600018	S600018	S600018	S600018	S600018	S600018
23	3/8-24 contre-écrou	1	S76-106	S76-106	S76-106	S76-106	S76-106	S76-106	S76-106	S76-106
24	Boulon de boîtier de ressort	1	S260031	S260031	S260031	S260031	S260031	S260031	S260031	S260031
25	Boulon en U	1	3-117440	3-117440	3-117440	3-117440	3-117440	3-117440	3-117440	3-117440
26	1/4-20 x 3/8" contre-écrou	2	261650-1	261650-1	261650-1	261650-1	261650-1	261650-1	261650-1	261650-1
28	Union de pivot	1	S257-26	S257-26	S257-26	S257-26	S257-26	S257-26	S257-26	S257-26
Assemblage de tuyau			Aucun	601014-40	601017-50	Aucun	601017-70	Aucun	601021-30	601019-40
Longueur et Diamètre Intérieur du Tuyau			Aucun	3/8" x 40'	3/8" x 50'	Aucun	3/8" x 70'	Aucun	1/2" x 30'	1/2" x 40'
Raccord d'entrée d'enrouleur			1/2" FPT	1/2" FPT	1/2" FPT	1/2" FPT	1/2" FPT	1/2" FPT	1/2" FPT	1/2" FPT
Pression d'opération maximum			500 PSI	300 PSI	300 PSI	500 PSI	300 PSI	500 PSI	300 PSI	300 PSI
Température d'opération maximum			210 °F	150 °F	150 °F	210 °F	150 °F	210 °F	150 °F	150 °F

Série 7000 Enrouleurs de Tuyau

ART N°.	DÉSCRIPTION	N° REQ.	7850 OLP	7850 OLP121	7850 OLP57	7900 OLP	7925 OLP	7600 OMP	7630 OMP	7640 OMP
1	Assemblage de pivot	1	S60088-1	S60088-1	S60088-1	S602026	S602026	S602033	S602033	S602033
3	Coude à 90°	1	Aucun	Aucun	Aucun	S159-5	S159-5	Aucun	Aucun	Aucun
4	Assemblage de poulie	1	S260011	S260011	S260011	S260011	S260011	S260011	S260011	S260011
5	Assemblage de ressort de mouvement	1	S260037	S260037	S260037	S600023	S600023	S260053	S260053	S260053
6	Mandrin de ressort	1	S600621	S600621	S600621	S600621	S600621	S600621	S600621	S600621
7	Joint d'étanchéité	1	S260069	S260069	S260069	S260069	S260069	S260069	S260069	S260069
8	Assemblage de boîtier de ressort	1	S260074	S260074	S260074	S260074	S260074	S260074	S260074	S260074
10	Arbre principal	1	602231	602231	602231	602231-1	602231-1	602231	602231	602231
11	1 1/4" dispositif de retenue	2	300007	300007	300007	300007	300007	300007	300007	300007
12	Assemblage de base	1	S600016	600012	600016	600016	600016	600016	600016	600016
13	1/2-13 vis sans tête	1	S35-84	S35-84	S35-84	S35-84	S35-84	S35-84	S35-84	S35-84
14	Assemblage de guide	1	S600017	S600017	S600017	S600017	S600017	S600017	S600017	S600017
15	Assemblage d'arrêt	1	2-HR1004-3	2-HR1004-3	2-HR1004-3	Aucun	3-HR1004-3	Aucun	1-HR1004-3	1-HR1004-3
16	5/16-18 contre écrou	4	300107	300107	300107	300107	300107	300107	300107	300107
17	10-32 x 3/8" écrou Nyloc	7	S82-15	S82-15	S82-15	S82-15	S82-15	S82-15	S82-15	S82-15
18	1/2-20 x 5/8" écrou hexagonal	1	S280-8	S280-8	S280-8	S280-8	S280-8	S280-8	S280-8	S280-8
19	Ressort de loquet	1	S260067	S260067	S260067	S260067	S260067	S260067	S260067	S260067
21	10-32 vis à épaulement	1	S393-2	S393-2	S393-2	S393-2	S393-2	S393-2	S393-2	S393-2
22	Assemblage de cliquet	1	S600018	S600018	S600018	S600018	S600018	S600018	S600018	S600018
23	3/8-24 contre-écrou	1	S76-106	S76-106	S76-106	S76-106	S76-106	S76-106	S76-106	S76-106
24	Boulon de boîtier de ressort	1	S260031	S260031	S260031	S260031	S260031	S260031	S260031	S260031
25	Boulon en U	1	3-117440	3-117440	3-117440	5-117440	5-117440	3-117440	3-117440	3-117440
26	1/4-20 x 3/8" contre-écrou	2	261650-1	261650-1	261650-1	261650-1	261650-1	261650-1	261650-1	261650-1
28	Union de pivot	1	S257-26	S257-26	S257-26	Aucun	Aucun	S257-26	S257-26	S257-26
Assemblage de tuyau			601021-50	601022-50	S601053-50	Aucun	601026-25	Aucun	3-260043	4-260043
Longeur et Diamètre Intérieur du Tuyau			1/2" x 50'	1/2" x 50'	1/2" x 50'	Aucun	3/4" x 25'	Aucun	3/8" x 30'	3/8" x 40'
Raccord d'entrée d'enrouleur			1/2" FPT	1/2" FPT	3/4" NH	3/4" FPT	3/4" FPT	1/2" FPT	1/2" FPT	1/2" FPT
Pression d'opération maximum			300 PSI	300 PSI	300 PSI	500 PSI	250 PSI	3000 PSI	2600 PSI	2600 PSI
Température d'opération maximum			150 °F	150 °F	150 °F	210 °F	150 °F	210 °F	210 °F	210 °F

ART N°.	DÉSCRIPTION	N° REQ.	7650 OMP	7800 OMP	7830 OMP	7840 OMP	7850 OMP	7400 OHP	7440 OHP
1	Assemblage de pivot	1	S602033	S602033	S602033	S602033	S602033	S602033	S602033
3	Coude à 90°	1	Aucun	Aucun	Aucun	Aucun	Aucun	Aucun	Aucun
4	Assemblage de poulie	1	S260011	S260011	S260011	S260011	S260011	S600364	S600364
5	Assemblage de ressort de mouvement	1	S260053	S260053	S260053	S260053	S260053	S260053	S260053
6	Mandrin de ressort	1	S600621	S600621	S600621	S600621	S600621	S600621	S600621
7	Joint d'étanchéité	1	S260069	S260069	S260069	S260069	S260069	S260069	S260069
8	Assemblage de boîtier de ressort	1	S260074	S260074	S260074	S260074	S260074	S260074	S260074
10	Arbre principal	1	602231	602231	602231	602231	602231	602231	602231
11	1 1/4" dispositif de retenue	2	300007	300007	300007	300007	300007	300007	300007
12	Assemblage de base	1	600016	600016	600016	S600016	S600016	S600016	S600016
13	1/2-13 vis sans tête	1	S35-84	S35-84	S35-84	S35-84	S35-84	S35-84	S35-84
14	Assemblage de guide	1	S600017	S600017	S600017	S600017	S600017	S600017	S600017
15	Assemblage d'arrêt	1	1-HR1004-3	Aucun	2-HR1004-3	2-HR1004-3	2-HR1004-3	Aucun	1-HR1004-3A
16	5/16-18 contre écrou	4	300107	300107	300107	300107	300107	300107	300107
17	10-32 x 3/8" écrou Nyloc	7	S82-15	S82-15	S82-15	S82-15	S82-15	S82-15	S82-15
18	1/2-20 x 5/8" écrou hexagonal	1	S280-8	S280-8	S280-8	S280-8	S280-8	S280-8	S280-8
19	Ressort de loquet	1	S260067	S260067	S260067	S260067	S260067	S260067	S260067
21	10-32 vis à épaulement	1	S393-2	S393-2	S393-2	S393-2	S393-2	S393-2	S393-2
22	Assemblage de cliquet	1	S600018	S600018	S600018	S600018	S600018	S600018	S600018
23	3/8-24 contre-écrou	1	S76-106	S76-106	S76-106	S76-106	S76-106	S76-106	S76-106
24	Boulon de boîtier de ressort	1	S260031	S260031	S260031	S260031	S260031	S260031	S260031
25	Boulon en U	1	3-117440	3-117440	3-117440	3-117440	3-117440	3-117440	3-117440
26	1/4-20 x 3/8" contre-écrou	2	261650-1	261650-1	261650-1	261650-1	261650-1	261650-1	261650-1
28	Union de pivot	1	S257-26	S257-26	S257-26	S257-26	S257-26	S257-72	S257-72
Assemblage de tuyau			5-260043	Aucun	6-260043	7-260043	8-260043	Aucun	8-260044
Longeur et Diamètre Intérieur du Tuyau			3/8" x 50'	Aucun	1/2" x 30'	1/2" x 40'	1/2" x 50'	Aucun	1/4" x 40'
Raccord d'entrée d'enrouleur			1/2" FPT	1/2" FPT	1/2" FPT	1/2" FPT	1/2" FPT	1/4" FPT	1/4" FPT
Pression d'opération maximum			2600 PSI	3250 PSI	3250 PSI	3250 PSI	3250 PSI	5000 PSI	5000 PSI
Température d'opération maximum			210 °F	210 °F	210 °F	210 °F	210 °F	210 °F	210 °F

Série 7000 Enrouleurs de Tuyau

ART N°.	DÉSCRIPTION	N° REQ.	7450 OHP	7600 OHP	7640 OHP	7650 OHP	7650 OLP-HTH	7850 OLP-HTH121	7925 OLP-HTH
1	Assemblage de pivot	1	S602033	S602033	S602033	S602033	S600923-1	S600923-1	S602026-1
3	Coude à 90°	1	Aucun	Aucun	Aucun	Aucun	Aucun	Aucun	S157-4
4	Assemblage de poulie	1	S600364	S260011	S260011	S260011	S260011	S260011	S260011
5	Assemblage de ressort de mouvement	1	S260053	S260053	S260053	S260053	260028-1	260037	600023
6	Mandrin de ressort	1	S600621	S600621	S600621	S600621	S600621	S600621	S600621
7	Joint d'étanchéité	1	S260069	S260069	S260069	S260069	S260069	S260069	S260069
8	Assemblage de boîtier de ressort	1	S260074	S260074	S260074	S260074	S260074	S260074	S260074
10	Arbre principal	1	602231	602231	602231	602231	602231	602231	602231-1
11	1 1/4" dispositif de retenue	2	300007	300007	300007	300007	300007	300007	300007
12	Assemblage de base	1	S600016	S600016	S600016	S600016	S600016	S600016	S600016
13	1/2-13 vis sans tête	1	S35-84	S35-84	S35-84	S35-84	S35-84	S35-84	S35-84
14	Assemblage de guide	1	S600017	S600017	S600017	S600017	S600017	S600017	S600017
15	Assemblage d'arrêt	1	1-HR1004-3A	Aucun	1-HR1004-3	1-HR1004-3	1-HR1004-3	2-HR1004-3	3-HR1004-3
16	5/16-18 contre écrou	4	300107	300107	300107	300107	300107	300107	300107
17	10-32 x 3/8" écrou Nyloc	7	S82-15	S82-15	S82-15	S82-15	S82-15	S82-15	S82-15
18	1/2-20 x 5/8" écrou hexagonal	1	S280-8	S280-8	S280-8	S280-8	S280-8	S280-8	S280-8
19	Ressort de loquet	1	S260067	S260067	S260067	S260067	S260067	S260067	S260067
21	10-32 vis à épaulement	1	S393-2	S393-2	S393-2	S393-2	S393-2	S393-2	S393-2
22	Assemblage de cliquet	1	S600018	S600018	S600018	S600018	S600018	S600018	S600018
23	3/8-24 contre-écrou	1	S76-106	S76-106	S76-106	S76-106	S76-106	S76-106	S76-106
24	Boulon de boîtier de ressort	1	S260031	S260031	S260031	S260031	S260031	S260031	S260031
25	Boulon en U	1	3-117440	3-117440	3-117440	3-117440	3-117440	3-117440	3-117440
26	1/4-20 x 3/8" contre-écrou	2	261650-1	261650-1	261650-1	261650-1	261650-1	261650-1	261650-1
28	Union de pivot	1	S257-72	S257-72	S257-72	S257-72	S257-72	S257-72	S257-72
Assemblage de tuyau			9-260044	Aucun	4-260044	5-260044	601143-50	601148-50	601146-25
Longeur et Diamètre Intérieur du Tuyau			1/4" x 50'	Aucun	3/8" x 40'	3/8" x 50'	3/8" x 50'	1/2" x 50'	3/4" x 25'
Raccord d'entrée d'enrouleur			1/4" NPT(F)	1/4" NPT(F)	1/4" NPT(F)	1/4" NPT(F)	1/2" NPT(F)	1/2" NPT(F)	3/4" NPT(F)
Pression d'opération maximum			5000 PSI	5000 PSI	4800 PSI	4800 PSI	300 PSI	300 PSI	300 PSI
Température d'opération maximum			210 °F	210 °F	210 °F	210 °F	212 °F (Air) 180 °F (Eau)	212 °F (Air) 180 °F (Eau)	212 °F (Air) 180 °F (Eau)