

SRTA SERIES - TRAFFIC ARROWS - LED

Traffic-Manager®

SRTA SERIES

Specifications:

- Housing: Aluminum
- LEDs per Head: 4
- LED Heads: 6, 8 or 10
- Voltage: 12-24VDC
- Avg. Current:
 - 6 Heads - 1.56A @ 12.8VDC / 0.78A @ 24VDC
 - 8 Heads - 2.08A @ 12.8VDC / 1.04A @ 24VDC
 - 10 Heads - 2.60A @ 12.8VDC / 1.30A @ 24VDC
- Max. Current:
 - 6 Heads - 3.12A @ 12.8VDC / 1.56A @ 24VDC
 - 8 Heads - 4.16A @ 12.8VDC / 2.08A @ 24VDC
 - 10 Heads - 5.20A @ 12.8VDC / 2.60A @ 24VDC
- Storage Temperature: -40 deg C to +75 deg C
- Operating Temperature: -30 deg C to +65 deg C
- Flash Patterns: 11 Warning & 11 Arrow
- Wire Harness Colors: 6 - Orange, Blue, Brown, Yellow, Green, White
- Wire Harness Gauge: 16AWG
- Wire Harness Length: 15' std
- Features:
 - LEDs rated to 100,000 hours of operation
 - Non-volatile memory recalls last flash pattern used at power up
 - Reverse polarity protection
- Color: ●
- Warranty: 5 Year

Certifications: SAE

CA Title 13 (Lighthoods Only)



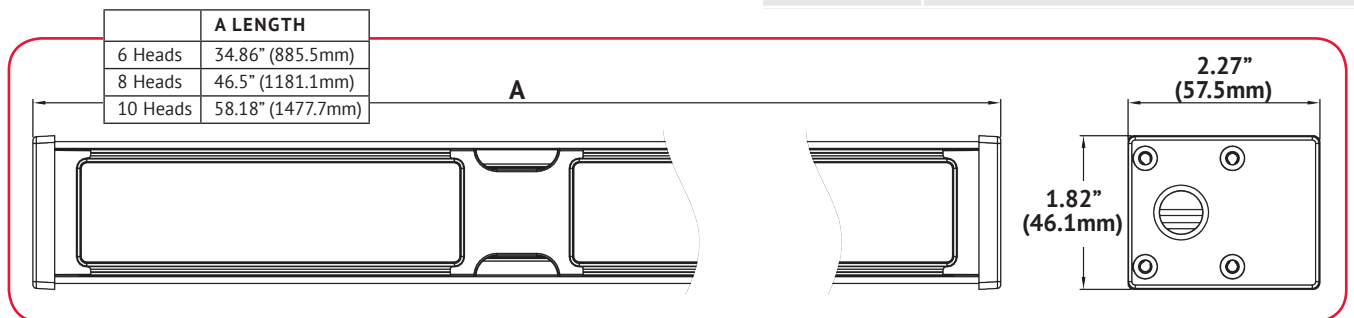
FP#	Warning Patterns	FP#	Arrow Patterns
0	Random	0	Sweep Single
1	Outside-In Single	1	Sweep Double
2	Outside-In Ultra	2	Sweep Triple
3	Side-by-Side Single	3	Sweep Single End-Double
4	Side-by-Side Ultra	4	Solid
5	Kit Scan	5	Solid End-Double
6	Single (split)	6	Solid Chaser
7	Ultra (split)	7	Solid Fade
8	Single H/L (split)	8	Blink Double
9	Single (all)	9	Blink Triple
10	Ultra (all)	10	Blink Solid

Variations:

PART #	DESCRIPTION
SRTA06SE4-A	Traffic arrow - 6 heads
SRTA06SE4-A-KIT	Traffic arrow - 6 heads with controller
SRTA08SE4-A	Traffic arrow - 8 heads
SRTA08SE4-A-KIT	Traffic arrow - 8 heads with controller
SRTA10SE4-A	Traffic arrow - 10 heads
SRTA10SE4-A-KIT	Traffic arrow - 10 heads with controller

Replacement Parts & Accessories

PART #	DESCRIPTION
SYMB-LA	Bracket with adjustable height / angle
SYMB-LB	L-Bracket
SYMB-LC	Bracket for flush / surface mount
SRTASE4-A	4 LED module - amber
SRSW610-TA	Controller



APPLICATIONS:



US: 16355 South Lone Elm Road • Olathe, KS 66062 • USA
 Canada: 1039 Cardiff Blvd. • Mississauga, Ontario L5S 1P4 • Canada

P: 913-780-1440 • TOLL FREE 800-447-3693 • F: 913-780-1427
 E: info@superiorsignals.com • www.superiorsignals.com

SRTA SERIES - TRAFFIC ARROWS - LED

INSTALLATION:

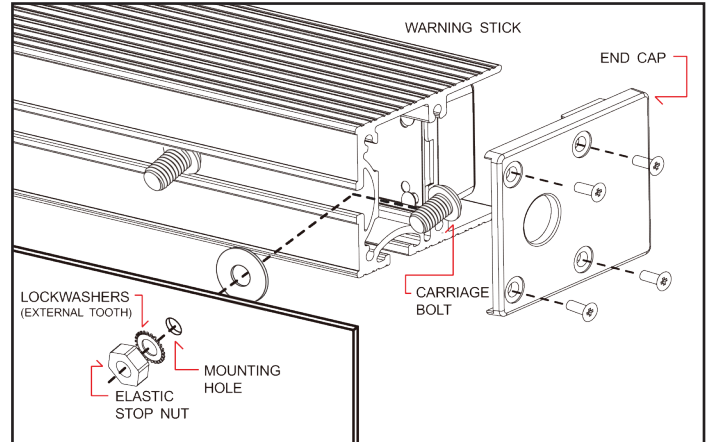
1. Remove endcap (side without cable) and insert mounting carriage bolts.
2. For Surface Mount, drill 1/4" (6.3mm) holes to the mounting surface.
3. Place Disk Gasket onto each bolt, and insert bolts into mounting holes.
4. Place Lockwasher and Elastic Stop Nut onto each bolt, and tighten firmly.
5. For Bracket Mount (sold separately), refer to mounting bracket manuals.

POWER WIRING

RED: to +VDC (with fuse according to the following chart)

LIGHTHEAD TYPE	2 HEADS	4 HEADS	6 HEADS	8 HEADS	10 HEADS
3-LED Lighthead	3 Amps	3 Amps	5 Amps	5 Amps	10 Amps
4-LED Lighthead	3 Amps	5 Amps	5 Amps	10 Amps	10 Amps
6-LED Lighthead	3 Amps	5 Amps	10 Amps	10 Amps	15 Amps

BLACK: to Chassis Ground



CONTROL WIRING FOR WARNING STICKS

WHITE: for Simultaneous or Alternating Flash

- Group 1: Sticks with **WHITE** connected to **RED** will flash together
- Group 2: Sticks with **WHITE** not connected to **RED** will flash together
- *Group 1 will alternate with Group 2

YELLOW: for Synchronization & Flash Pattern Change (refer to Flash Patterns chart)

- Connect **YELLOW** wires of all sticks together for synchronization
- *All sticks must be set at the same pattern

Note: Some patterns are not suitable for synchronization.

FP#	FLASH PATTERN	FP#	FLASH PATTERN	FP#	FLASH PATTERN
0	Kit Scan	9	Quint (split)	18	Mega (all)
1	Outside-In Single	10	Mega (split)	19	Ultra (all)
2	Outside-In Ultra	11	Ultra (split)	20	Single-Quad (all)
3	Side-by-Side Single	12	Single-Quad (split)	21	Single H/L (all)
4	Side-by-Side Ultra	13	Single H/L (split)	22	Steady 2 (california)
5	Random	14	Single (all)	23	Steady 4 (all)
6	Single (split)	15	Double (all)	24	Left Chaser
7	Double (split)	16	Quad (all)	25	Right Chaser
8	Quad (split)	17	Quint (all)		

Momentarily apply +VDC to **YELLOW** wire:
 · Once for next pattern
 · Quickly 3 times for reset to FP#0

Note: This unit is not factory set at FP#0

The following FP# are not available in 2 Head Sticks: FP# 0, 1, 2, 3, 4, 24, 25

*(split)=side by side alternating *(all)=all LEDs on

CONTROL WIRING FOR TRAFFIC ARROW STICKS

- ORANGE:** to +VDC for Left Arrow
- BLUE:** to +VDC for Right Arrow
- BROWN:** to +VDC for Warning Patterns (Arrow Function wires must be deactivated).
- ORANGE+BLUE:** to +VDC for Center Out

YELLOW: for Pattern Change (refer to Flash Patterns chart)

- GREEN:** to +VDC for Low Power (disconnect for High Power) or for end flasher heads on/off (only for models with end flashers)

WHITE: only used when connecting with SW610-TA switch (sold separately)

Note: The correct side up is facing the front of the stick with wiring coming out the right side.

FP#	ARROW PATTERNS (ORANGE/BLUE)	WARNING PATTERNS (BROWN)	END FLASHER PATTERNS (GREEN)
0	Sweep Single	Random	Random
1	Sweep Double	Outside-In Single	Single (split)
2	Sweep Triple	Outside-In Ultra	Quad (split)
3	Sweep Single End x2	Side-by-Side Single	Mega (split)
4	Solid	Side-by-Side Ultra	Ultra (split)
5	Solid End2	Kit Scan	Single-Quad (split)
6	Solid Chaser	Single (split)	Single (all)
7	Solid Fade	Ultra (split)	Quad (all)
8	Blink Double	Single H/L (split)	Ultra (all)
9	Blink Triple	Single (all)	Single-Quad (all)
10	Blink Solid	Ultra (all)	Ultra (all)

Momentarily apply +VDC to **YELLOW** wire:
 · Once for next pattern
 · Quickly 3 times for reset to FP#0

Note: This unit is not factory set at FP#0

*(split)=side by side alternating *(all)=all LEDs on

**In-Sync-Mode: during warning mode, end flasher heads will sync according to the warning pattern.

Note: to select End Flasher Patterns, Arrow and Warning Function wires must be deactivated.

CONNECTION TO SRSW610-TA SWITCH PANEL

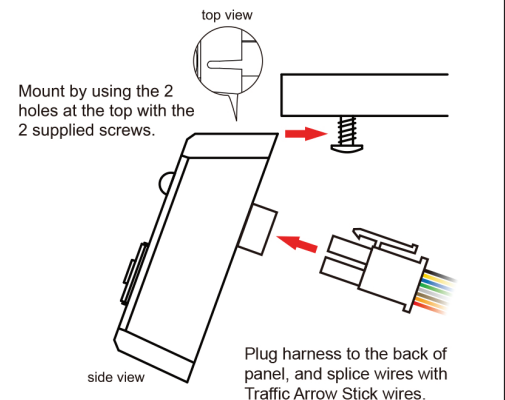
1. Choose a place to install the Switch Panel.
2. Route Switch Panel **RED** & **BLACK** wires toward vehicle battery.
3. Route Traffic Arrow Stick wires to Switch Panel and splice same color wires together.

CONSOLE MOUNT INSTALLATION

1. Check that all parts are present.
2. Flip to the rear side and position Switch Panel accordingly.
3. Secure Mounting Flaps with screws so that they firmly pinch the Console Panel.
4. Splice wires with Traffic Arrow Stick wires and mount Console Panel onto Console.

Note: AUX button activates Low Power or End Flasher function.

SCREW MOUNT INSTALLATION:



Note: do not splice **RED** and **BLACK** wires with Traffic Arrow Stick wires. They must be connected to +VDC and ground.



US: 16355 South Lone Elm Road • Olathe, KS 66062 • USA
 Canada: 1039 Cardiff Blvd. • Mississauga, Ontario L5S 1P4 • Canada

P: 913-780-1440 • TOLL FREE 800-447-3693 • F: 913-780-1427
 E: info@superiorsignals.com • www.superiorsignals.com