

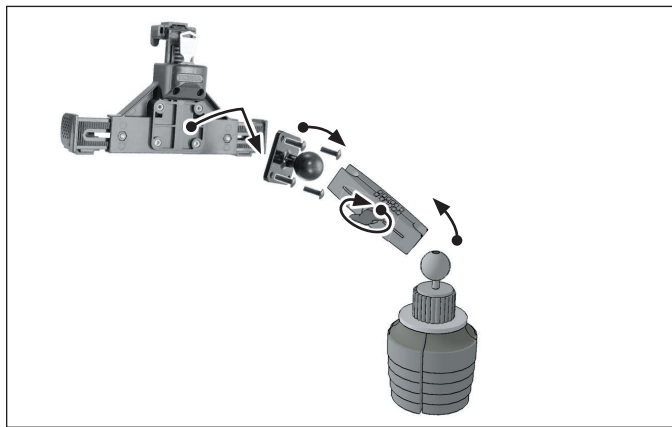


Package Contents:

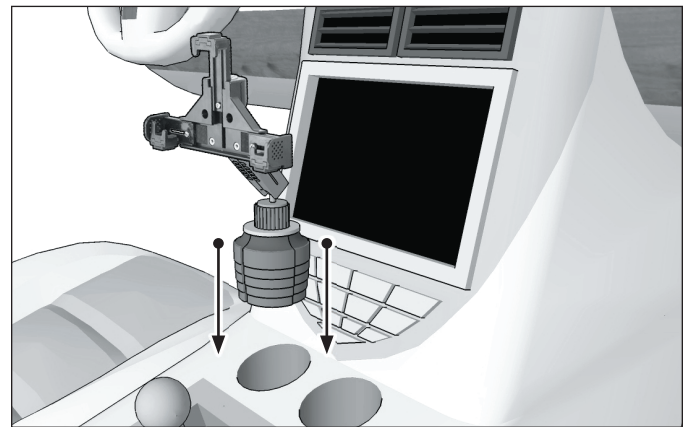
- (1) **SM090B** – Heavy-Duty Universal Locking Phone Holder
- (1) **SPRM023** – Heavy-Duty Car Cup Holder Mounting Pedestal
- (1) **SP-RM250** – Robust Mount Shaft
- (1) **APMAMPS25MM** – 4-Hole AMPs to 25mm (1 inch) Ball Adapter

Compatibility: Fits smartphones with cases measuring up to 7.18" wide.

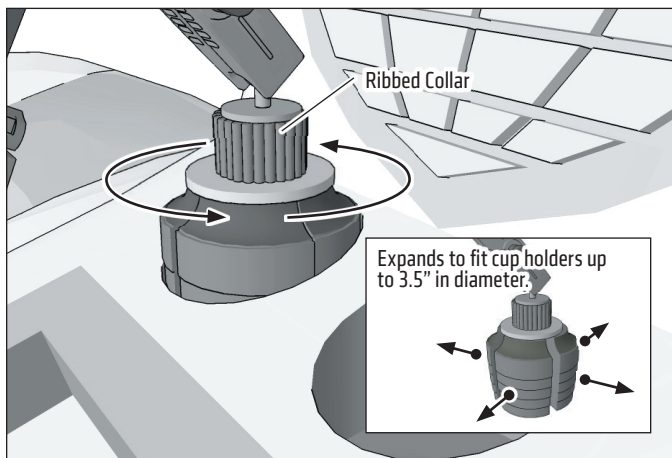
- 1** Attach Robust shaft to cup holder pedestal by unscrewing knob on shaft to loosen. Attach AMPs adapter to the other end of the shaft. Screw knob to tighten. Attach device holder by inserting included screws through adapter into the screw openings in the device holder.



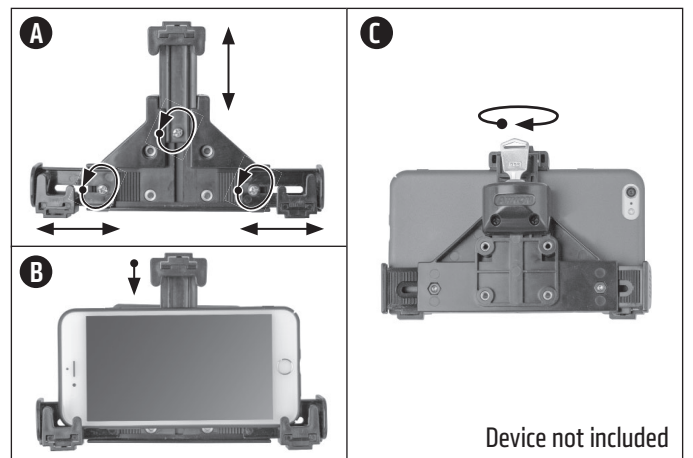
- 2** Insert mount into car cup holder.



- 3** Twist ribbed collar counterclockwise to expand base to fit cup holder. Expands to fit cup holders up to 3.5 inches in diameter.



- 3** (A) Use a Phillips screwdriver to loosen the 3 screws to adjust the holder to the size of your device. Tighten screws to set. (B) Insert device and push down on the center arm. (C) Lock with included key.



! Safety Precautions
 Do not install Arkon products over an air bag cover or within the air bag deployment zone. Arkon Resources, Inc. assumes no responsibility of liability for injury or death as a result of car crashes and / or air bag deployment.
 Arkon is not responsible for any damages caused to your vehicle, your device, or yourself due to the installation or use of this mounting pedestal.

ARKON MOUNTS

Consumer Hotline:
 USA (800) 841-0884
 INT'L (626) 254-9005
 Monday - Friday 9 am - 5 pm, PST

www.arkon.com
 Arcadia, CA 91006 USA
 Designed in USA | Made in Taiwan
 © Copyright 2021 Arkon Resources, Inc.