

# LED MODULES

## SYFLAT12 SERIES

### Specifications:

- Voltage: 12-24VDC
- Light Source: 12 LEDs
- Output: 10W Max
- Current Draw: 0.78A Max @ 12VDC / 0.34A Max @ 24VDC
- Flash Patterns: 25
- Lens: Polycarbonate
- Mounting Base: Aluminum
- Mount: Surface
- Size: 4.50"L x 1.71"H x 0.35"D
- Colors: 
- Warranty: 5 Year

### Features:

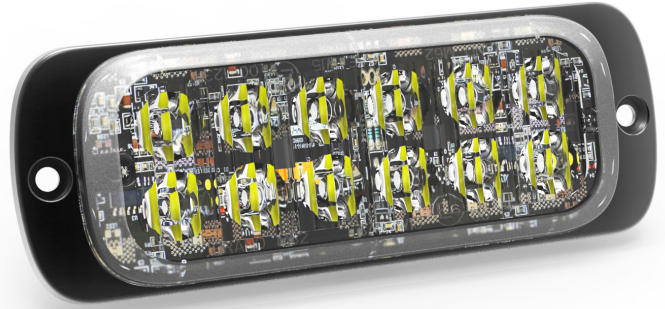
- Non-volatile memory recall
- 25 Selectable flash patterns
- Multi-unit synchronization

### Certifications:

- IPX8
- SAE J595 Class I
- ECE R10-04
- CA Title 13 (Amber, Blue and Red Only)

### SYFLAT12 Series

PART #	COLOR
TSA/SYFLAT12-A	Amber
TSA/SYFLAT12-B	Blue
TSA/SYFLAT12-C	Clear
TSA/SYFLAT12-R	Red
TSA/SYFLAT12-AB	Amber/Blue
TSA/SYFLAT12-AC	Amber/Clear
TSA/SYFLAT12-BC	Blue/Clear
TSA/SYFLAT12-RB	Red/Blue
TSA/SYFLAT12-RC	Red/Clear

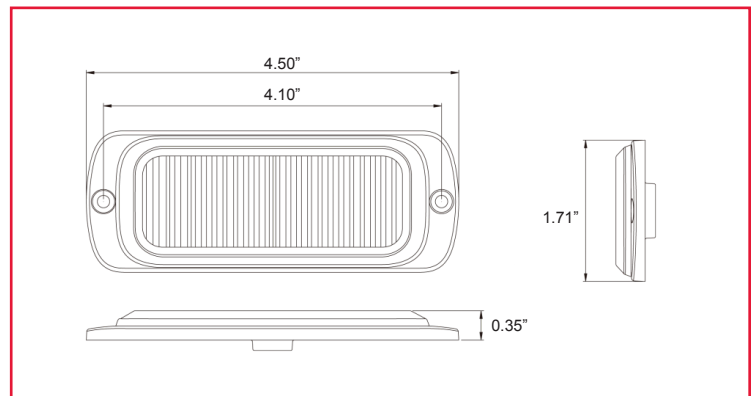


### Flash Patterns

FLASH	PATTERN	FLASH	PATTERN	FLASH	PATTERN
1	Double (R65)	10	Mega (Split)	19	Ultra (All) (SAE)
2	Single (2Hz)	11	Ultra (Split)	20	Single-quad (All)
3	Triple (2Hz)	12	Single-quad (Split)	21	Single H/L (All)
4	Quad (2Hz)	13	Single H/L (Split)	22	Steady (Half)
5	Random	14	Single (All) (SAE, CA13)	23	Steady (All)
6	Single (Split)	15	Double (All) (SAE)	24	Rotate slow
7	Double (Split)	16	Quad (All) (SAE)	25	Rotate fast
8	Quad (Split)	17	Quint (All) (SAE)		
9	Quint (Split)	18	Mega (All)		

### Replacement Parts & Accessories

PART #	DESCRIPTION
TSA/SYFLAT12-BZ	Bezel Chrome
TSA/SYFLAT12-FL	Bezel Black
TSA/SYFLAT12-LB	L-bracket Aluminum
TSA/SYFLAT12-W	Bezel White



### APPLICATIONS:



US: 16355 South Lone Elm Road • Olathe, KS 66062 • USA  
Canada: 1039 Cardiff Blvd. • Mississauga, Ontario L5S 1P4 • Canada

P: 913-780-1440 • TOLL FREE 800-447-3693  
E: info@superiorsignals.com • www.superiorsignals.com