

Package Contents:

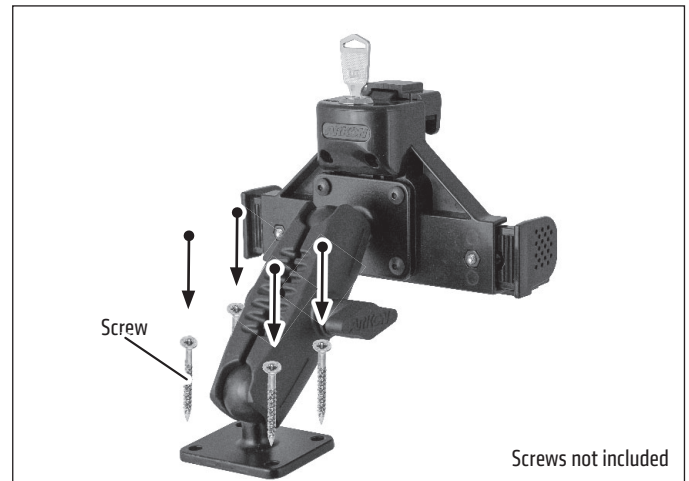
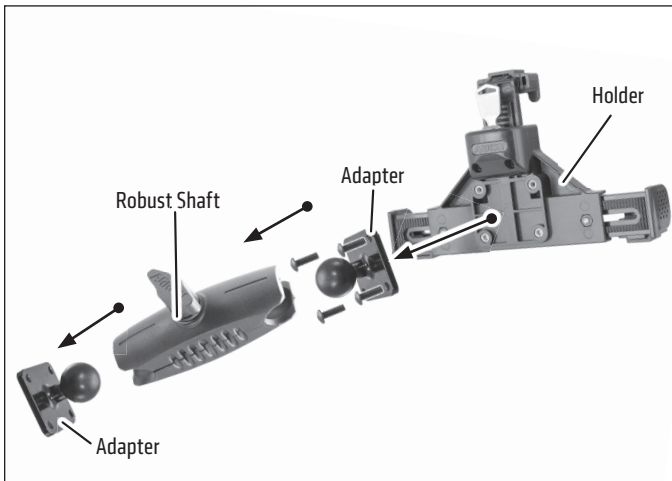
- (1) SM090B – Heavy-Duty Universal Locking Phone Holder
- (1) SP-RM250 – Robust Mount Shaft
- (2) APMAMPS25MM – 4-Hole AMPS to 25mm (1 inch) Ball Adapter

Compatibility: Fits smartphones with cases measuring up to 7.18" wide.

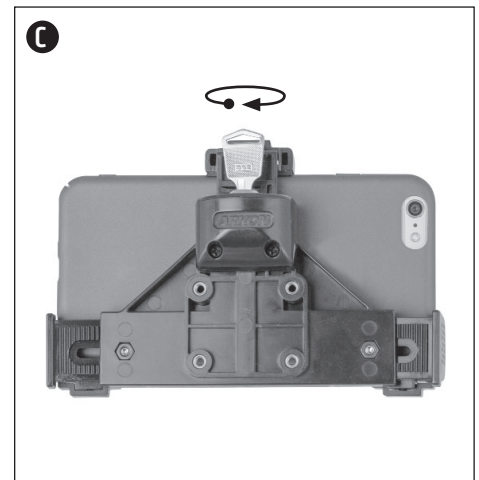
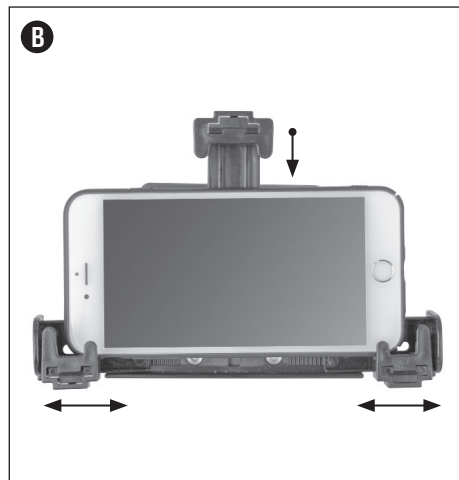
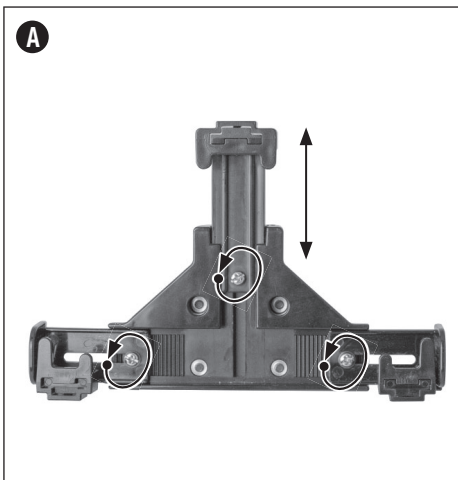
Warning: Drilling into the dash, floor, or console may damage the vehicle. Use caution and consult a mobile install professional to avoid drilling into the gas tank, electrical system, or other highly sensitive vehicle components.

1 Attach adapter to holder. Attach the Robust Shaft to both adapters.

2 Add screws through adapter to install device in desired location.



3 (A) Use a Phillips screwdriver to loosen the 3 screws to adjust the holder to the size of your device. Tighten screws to set. (B) Insert device and push down on the center arm. (C) Lock with included key.



! Safety Precautions
 Do not install Arkon products over an air bag cover or within the air bag deployment zone. Arkon Resources, Inc. assumes no responsibility of liability for injury or death as a result of car crashes and / or air bag deployment.

Arkon is not responsible for any damages caused to your vehicle, your device, or yourself due to the installation or use of this mount.

ARKON MOUNTS

Consumer Hotline:

USA (800) 841-0884

INT'L (626) 254-9005

Monday - Friday 9am - 5pm, PST

www.arkon.com

Arcadia, CA 91006 USA

Designed in USA | Made in Taiwan

© Copyright 2021 Arkon Resources, Inc.