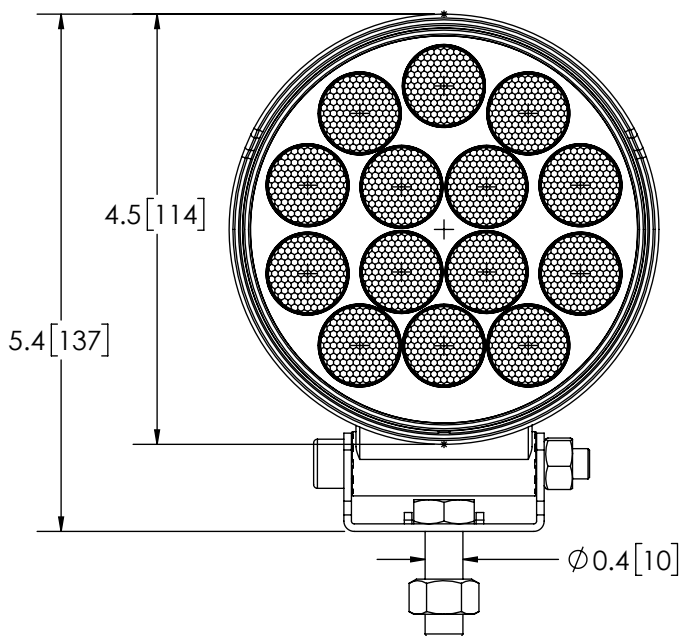
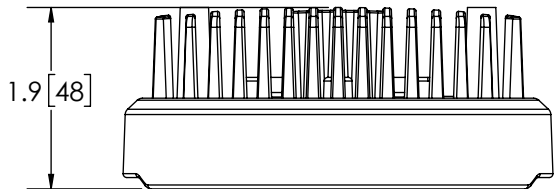


REVISION HISTORY		
REV.	DESCRIPTION	DATE
02	REVISED PER EC3410	2013-03-18
A	INITIAL RELEASE PER EC3410	2013-03-25
B	REVISE PER EC3410	2016-11-11


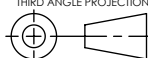


SPECIFICATIONS

- CERTIFICATIONS: **CE**; IP67
 Note: Unique components, accessories, and hardware kits are not typically Included in the Product Certification Test Protocols. Unless otherwise Specified, the Product Certifications referred to herein are predicated upon the base product model configuration.
- RAW LUMENS: 2070 lumens
- EFFECTIVE LUMENS: 1870 lumens
- ILLUMINANCE: 4.6 lux
- PEAK BEAM INTENSITY: 4296 Candela
- EFFICACY: 77 lm/W
- CORRELATED COLOR TEMPERATURE: 6800K
- VOLTAGE (NOMINAL): 12 to 24 VDC
- VOLTAGE (EXTREME): 10 to 30 VDC
- CURRENT (PEAK): 1.7A (@ 12 VDC NOMINAL)
- POWER (MAXIMUM): 24.0W (@ 12 VDC NOMINAL)
- TEMPERATURE RANGE: -22°F (-30°C) TO 122°F (50°C)
- CONNECTION: 2-20 AWG CONDUCTOR CABLE
- MOUNTING: SINGLE BOLT
- HOUSING MATERIAL: ALUMINUM
- LENS MATERIAL: POLYCARBONATE
- PRODUCT WEIGHT: 1.36 LBS (0.61 Kg)

DISCLAIMER
 DIMENSIONS, ILLUSTRATIONS, SPECIFICATIONS AND CERTIFICATIONS CONTAINED IN THIS DOCUMENT ARE TYPICAL OF THE ACTUAL PRODUCT AND ARE SUBJECT TO CHANGE. ECCO ENGINEERING DOES NOT MAINTAIN FORMAL DESIGN CONTROL OF THIS PRODUCT.

NOTES:
 1. DIMENSIONS IN INCHES[MILLIMETERS (FOR REFERENCE)]

SCALE 1:2		APPROVALS	DATE	 www.eccolink.com Americas (800) 635-5900 Europe +44 (0)113 237 5340 Asia Pacific +61 (0)3 63322444
CAD GENERATED DRAWING DO NOT MANUALLY UPDATE. MODEL REFERENCED: B		DRAWN BY: ABB	2016-09-08	
TOLERANCES ARE IN INCHES, AND MILLIMETERS TOLERANCES UNLESS OTHERWISE STATED ARE:		CHECKED: ABB	2016-09-09	
MILLIMETERS DECIMALS XX. ± 1.0mm XX.X ± 0.5mm	INCHES DECIMALS X.X ± 0.1 X.XX ± 0.04 X.XXX ± 0.02	MECH. ENG.: JLA	2016-09-08	
		ELEC. ENG.: TJT	2016-09-08	
		TEST ENG.: JRT	2016-09-09	
		SALES: LAT	2016-11-11	
		CUSTOMER PART NO. EW2431		
		PRODUCT SERIES: EW2431		
THIRD ANGLE PROJECTION		SIZE: A	DWG. NO. EW2431	REV. B
		Electronically Controlled Use Latest Copy		SHEET 1 OF 1 Project: EW2431 Date Created: 2013-02-08

THIS DRAWING AND THE DESIGN IT DISCLOSES ARE THE PRIVATE PROPERTY OF ESG AND IS ISSUED IN CONFIDENCE FOR ENGINEERING INFORMATION ONLY. THE DRAWING AND / OR DESIGN MAY NOT BE USED, COPIED, REPRODUCED, OR OTHERWISE DISCLOSED IN PART OR AS A WHOLE TO OUTSIDERS OR USED FOR ANY OTHER PURPOSE WITHOUT THE PRIOR WRITTEN CONSENT OF ESG. THE DRAWING IS SUBJECT TO RECALL AT ANY TIME. YOUR POSSESSION OF THIS DOCUMENT CONSTITUTES ACCEPTANCE OF THESE TERMS. © 2013 ECCO