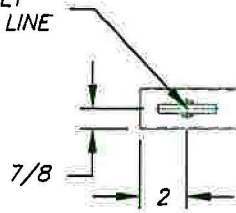
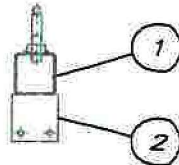
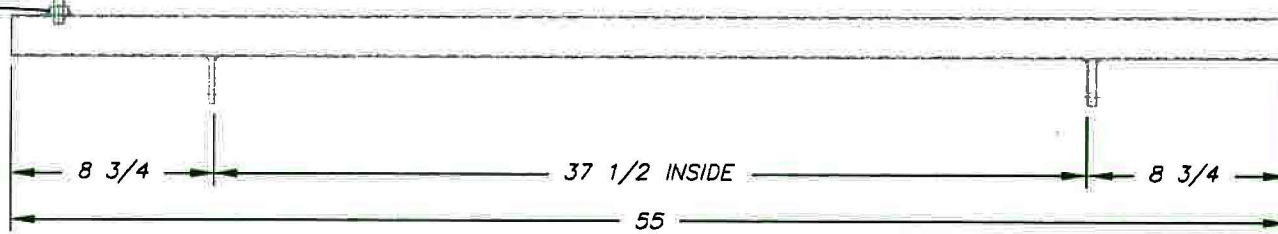
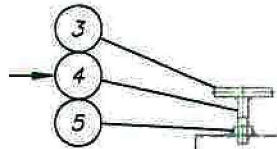


REV.	ECR NO.	BY	DATE	DESC. OF CHANGE
A		JDN	8/2/11	Tab Wers 32 3/4 Outside

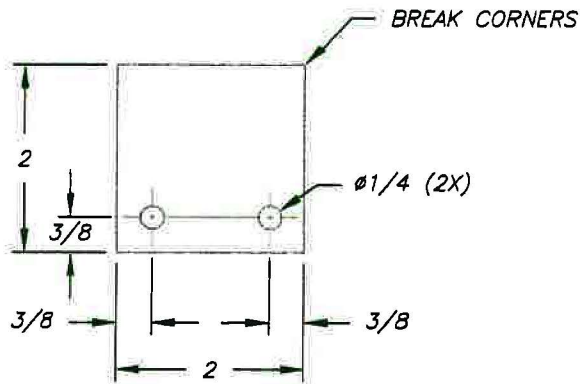
Ø1/2 DRILL THRU
ONE WALL ONLY
WELD NUT IN LINE
WITH HOLE



REMOVE HEAD
FROM BOLT



CENTER ITEM 2
ON SQ. TUBE



ITEM 2
1/2 SCALE

NOTES:

- TWO CARRIERS PER TRUCK

5	NUT	1	7/16-14 UNC
4	BOLT	1	7/16-14 UNC X 2 LG, REMOVE HEAD
3	RD. BAR	1	Ø3/8 X 2 1/2 LG, A-36
2	PLATE	2	1/4 X 2 X 2 LG, A-36
1	SQ. TUBE	1	1 3/4 X 1 3/4 X 14 GA. X 55 LG, A-500
ITEM	MATERIAL	QTY.	DESCRIPTION
TOLERANCES: UNLESS OTHERWISE SPECIFIED			
FRACTIONAL: ±1/16 DECIMAL: ±.015 ANGULAR: ±1°			
DO NOT SCALE DRAWING			
L & R MANUFACTURING, LLC 2498 IA Hwy 24 - New Hampton, IA 50659			
THIS PRINT IS THE PROPERTY OF L&R MANUFACTURING LLC AND IS CONFIDENTIAL AND NOT TO BE COPIED OR REPRODUCED WITHOUT OUR EXPRESS WRITTEN PERMISSION AND TO BE RETURNED UPON REQUEST UNLESS OTHERWISE SPECIFIED.			
DESG: CARRIER FOR SHOVEL HANDLE			
SCALE:	1/8	MATL:	
DWG BY:	JGP	DATE:	12/15/06
CHK BY:		DATE:	
SHT:	OF:	REV:	
DWG NO: ZP-CBSH-LCG			SIZE: A