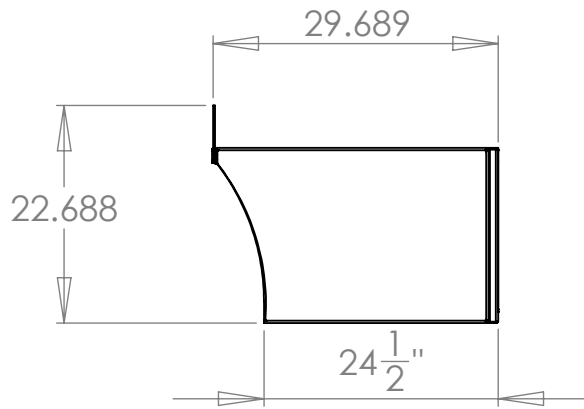
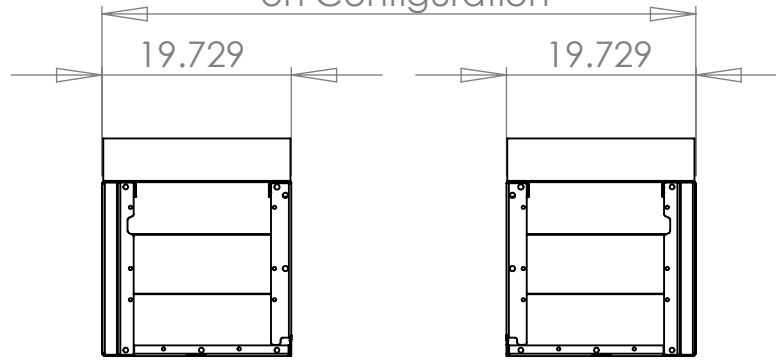


(XX") Varies Depending on Configuration



DRAWN BY: JL DRAWN DATE: 4/17/2014	<b>Inventive LLC</b> In The Ditch Towing Products	
UNLESS OTHERWISE SPECIFIED: DIMENSIONS ARE IN INCHES TOLERANCES: FRACTIONAL ± 1/16" ANGULAR: MACH ± 0.25° BEND ± 1.5° TWO PLACE DECIMAL ± 0.020" THREE PLACE DECIMAL ± 0.005" MATERIAL: N/A	DESCRIPTION <b>24.5" Storage Fender Kit</b>	REV -
DO NOT SCALE DRAWING	<b>A</b> SIZE PART NO. <b>ITD2327</b> SHEET SCALE 1:20	SHEET 1 of 1