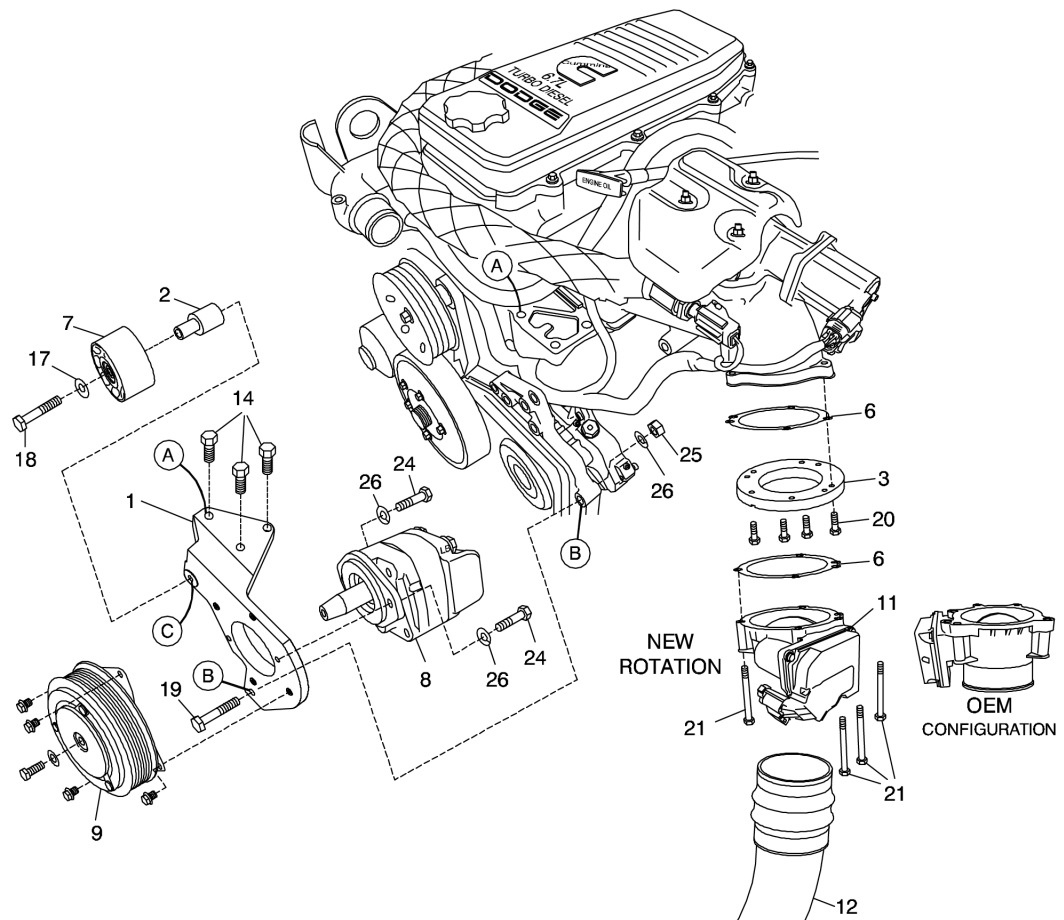


///HARPER INDUSTRIES, INC.

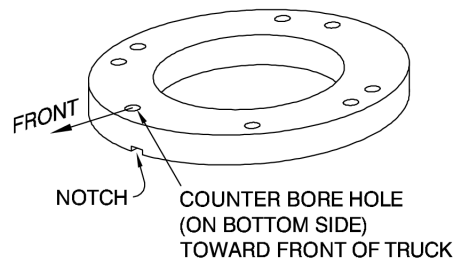
700537

Images and 2D Drawings

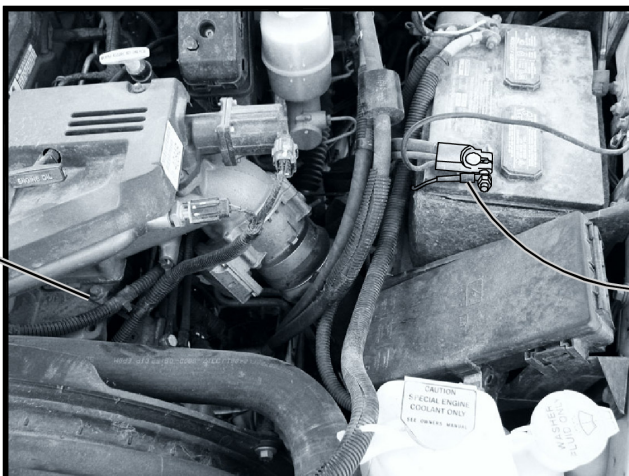




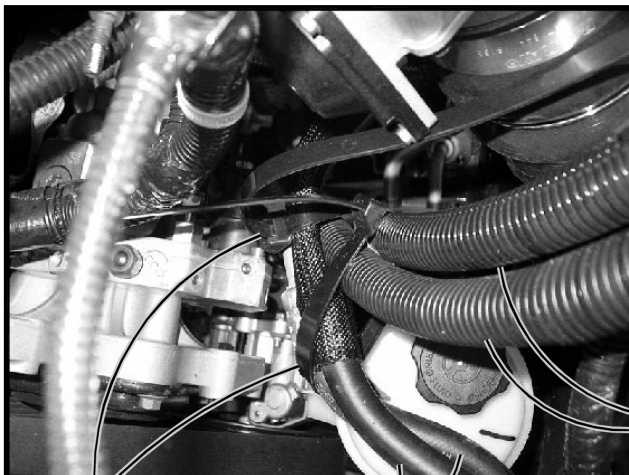
ADAPTER RING ROTATION



WIRING HARNESS
AND CLIP



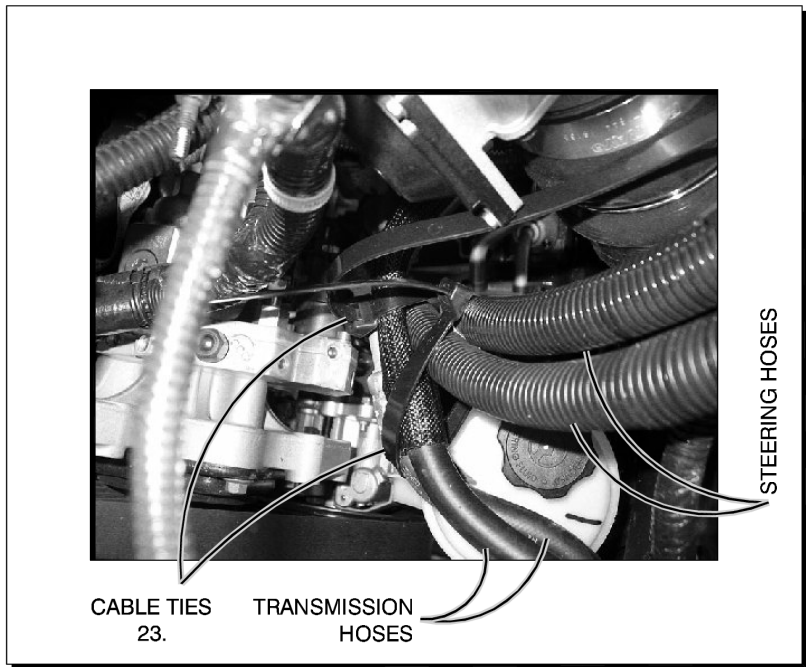
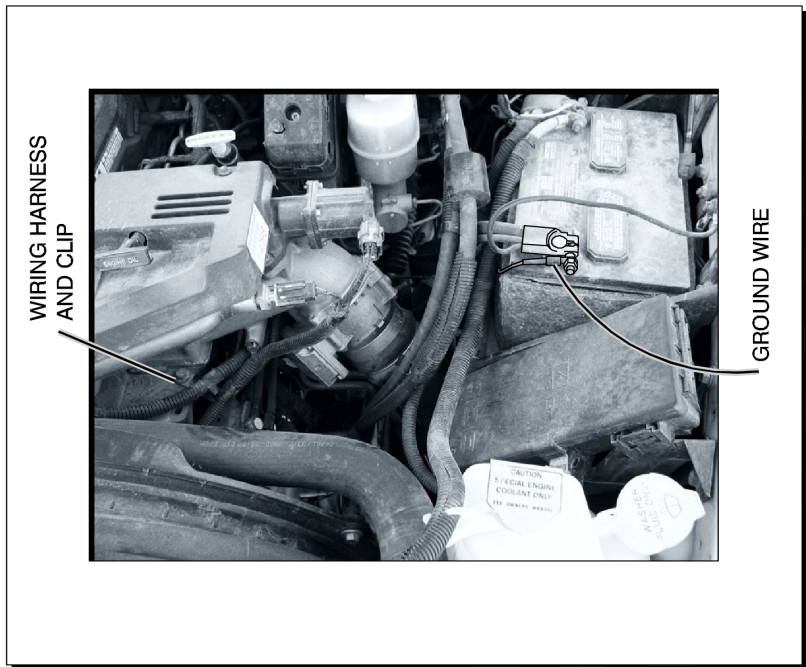
GROUND WIRE



STEERING HOSES

CABLE TIES
23.

TRANSMISSION
HOSES



Assembly Details:

Assembly Number: '700537'

Assembly Description: Clutch Pump Kit

Item	Assembly	Part Number	Description	Quantity	UOM	Order Multiple
8.2	No	720174	Pump 12gpm A Mount Parker P315 326-9110-215 Rear Port S20mb P16mb	1	EA	1
8.1	No	720175	Pump 17gpm A Mount Parker P315 326-9110-216 Rear Port S20mb P16mb	1	EA	1
9.2	No	740148	Clutch Assy 8 Groove A Mount Tapered 6" Warner 1417-42 12vdc	1	EA	1
9.1	No	742009	Clutch Assy 8 Groove A Mount Tapered 6" Ogura MA-MG02-DE 12vdc	1	EA	1
8.3	No	720288	Pump 12gpm A Mount Parker P415 326-9110-215HP Rear Port S20mb P16mb High Pressure	1	EA	1
1	No	716060	Pump Mount Bracket	1	EA	1
2	No	711785	Idler Bushing	1	EA	1
3	No	711784	Intake Adapter Ring	1	EA	1
6	No	702054	Air Intake Gasket	1	EA	1
7	No	740261	Idler Assy 3.00 X 1.540 Flat	1	EA	1
14	No	110820	Bolt M10-1.5 X 35 Gr 10.9 Zinc	1	EA	1
17	No	110676	Washer 3/8" Flat Zinc	1	EA	1
18	No	110705	Bolt M10-1.5 X 55 Gr 10.9 Plain	1	EA	1
19	No	110400	Bolt 3/8-16 X 2.00 HHCS Gr 5 Zinc	1	EA	1
20	No	110484	Bolt M6-1 X 16 HHCS 10.9 Zinc	1	EA	1
23	No	102059	Cable Tie .49 X 20.28 250lb	1	EA	1
24	No	110425	Bolt 3/8-16 X 1.25 HHCS Gr 5 Zinc	1	EA	1

Item	Assembly	Part Number	Description	Quantity	UOM	Order Multiple
25	No	110826	Nut 3/8-16 Gr 5	1	EA	1
26	No	110672	Washer 3/8" Lock	1	EA	1
27	No	742065	Serpentine Belt 8 Rib 136.0"	1	EA	1