



Clutch Pump Kit

KIT NUMBER
700564

Ford 6.2L: G, 2014+, A Pump, Side Port

BOLT PACKAGES:

BRACKET	716053 (Inc. item 4, 8, 11-19, 37, 38)
RESONATOR	716188 (Inc. item 35, 36)
IDLER PULLEY	None
CRANK PULLEY	None
TENSIONER	None

702116 **BELT DIAGRAM**

8-30-13 ISSUE DATE



A 11-7-14

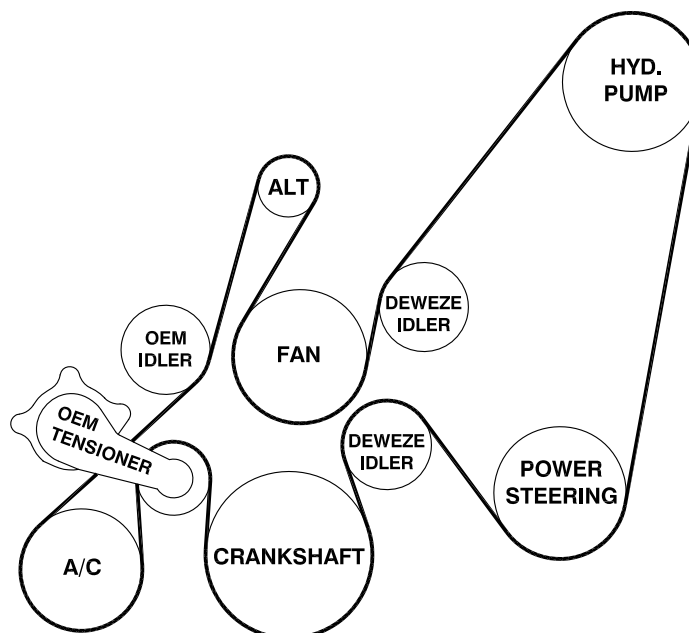
REVISION DATE

Item **Quan.** **Part No.** **Description**

1.	1	716047	PUMP MOUNT BRACKET	23.	1	702111	AIR TUBE
2.	1	716048	IDLER BRACKET	24.	1	702112	REDUCER, AIR INTAKE
3.	1	716049	BRACE, PUMP MOUNT	25.	1	702113	ELBOW, AIRBOX
4.	1	716050	BUSHING, BRACE	26.	3	702114	CLAMP, 3.5"
5.	1	710936	PUMP PLATE	27.	1	702115	CLAMP, 4"
6.	1	740151	IDLER, FLAT	28.	1	120088	HOSE SPLICE
7.	1	740427	IDLER, 6-GROOVE	29.	1	716052	HOSE, 1.5" ID X 2.25" LONG
8.	1	110662	WASHER, 1/2 FLAT	30.	2	511002	CLAMP, HOSE #24 1.5"
9.	1	*	PUMP	31.	5	100578	CABLE TIE, 14"
10.	1	742016	CLUTCH, 6 GROOVE w/DIODE	32.	1	740283	BELT
11.	1	110775	BOLT, M8 X 1.25 X 60 LOWHEAD SOCKET	33.	1	702143	RESONATOR
12.	2	110569	BOLT, M8 X 1.25 X 65 HEX HEAD	34.	1	702144	BRACKET, ALT/RES.
13.	3	110558	BOLT, M8 X 1.25 X 50 HEX HEAD	35.	2	110932	M6 X 1.0 X 30 BOLT
14.	2	110933	BOLT, M16 X 2.0 X 35 FLANGE 10.9	36.	2	111033	1/4 X 1 FLAT WASHER
15.	1	110437	BOLT, 3/8-16 X 0.75 WIZ FLNG	37.	1	110080	BOLT, M8 X 1.25 X 35 HEX HEAD
16.	1	110435	BOLT, 3/8-16 X 1.5 HEX HEAD	38.	1	111019	WASHER, 5/16 FLAT, 1.25 OD
17.	5	110703	WASHER, M8 FLAT				
18.	1	110676	WASHER, 3/8 FLAT				
19.	3	110465	BOLT, 3/8-16 X 1.25 SOCKET HEAD				
20.	--	-----	-----				
21.	2	110425	BOLT, 3/8-16 X 1.25 HEX HEAD				
22.	2	110672	WASHER, 3/8 LOCK				

FIG. 1

BELT DIAGRAM



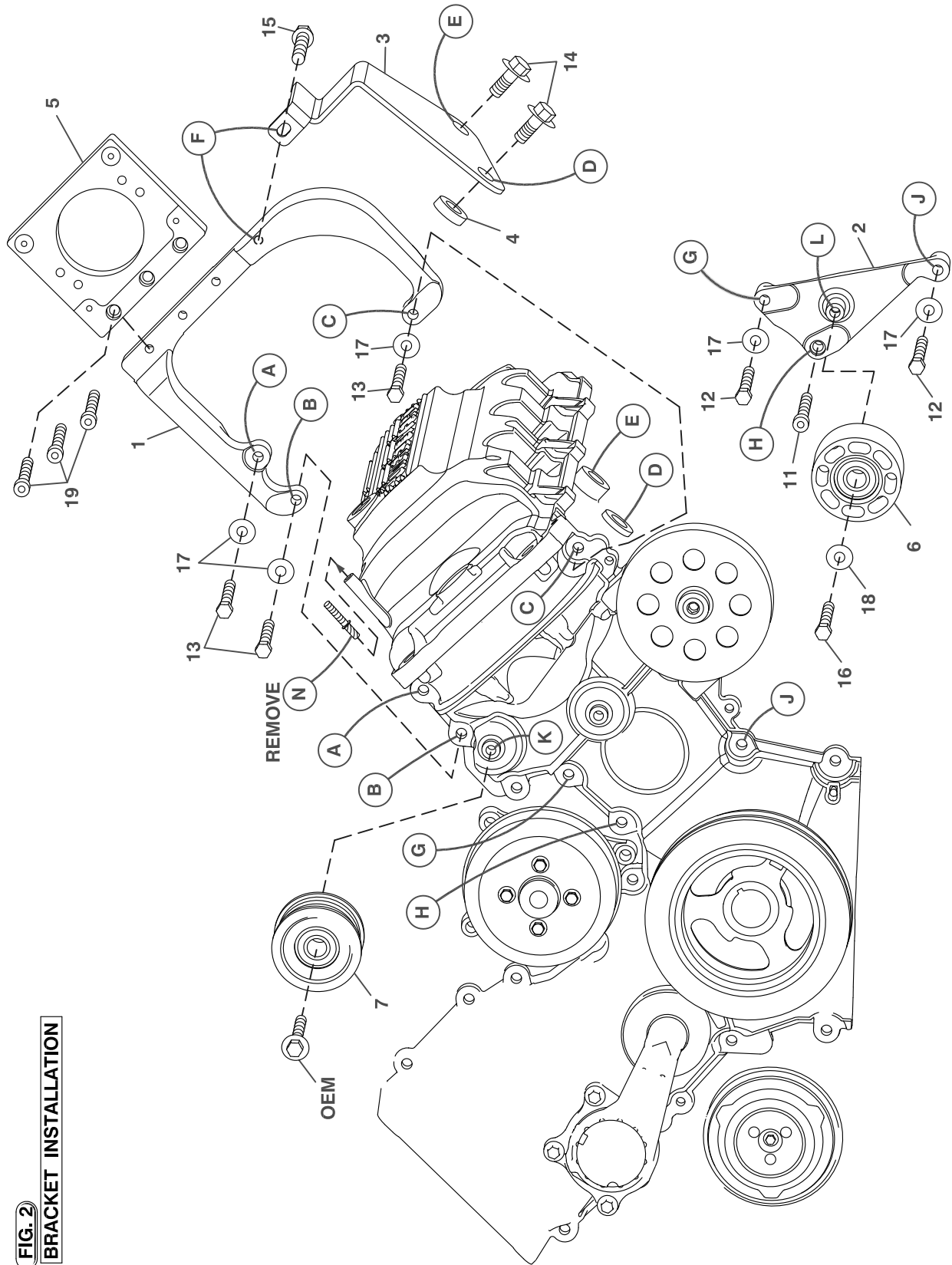


FIG. 2
BRACKET INSTALLATION

FIG. 3
BRACKET BRACE INSTALLATION

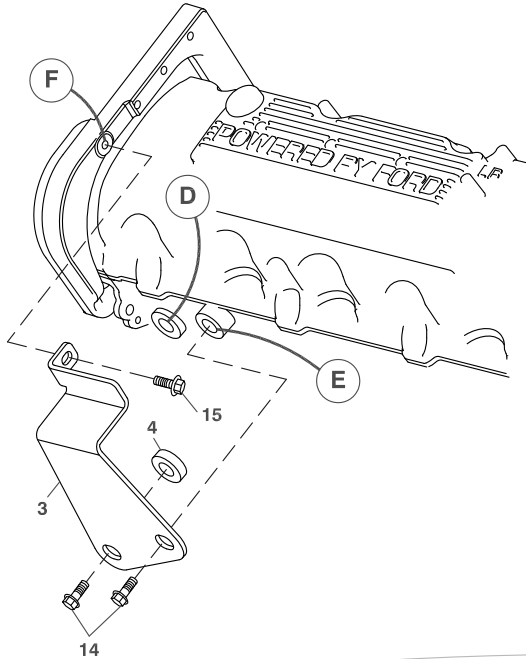


FIG. 7
VALVE COVER MODIFICATION FOR 2012+



LOCATION P.
PULL CABLE CLAMP FROM
THIS HOLE. CUT OFF THIS TAB.

FIG. 4
AIR TUBE REPLACEMENT

PLACE HOSE FROM
COOLANT TANK
BETWEEN STEERING
RESERVOIR AND FAN
SHROUD

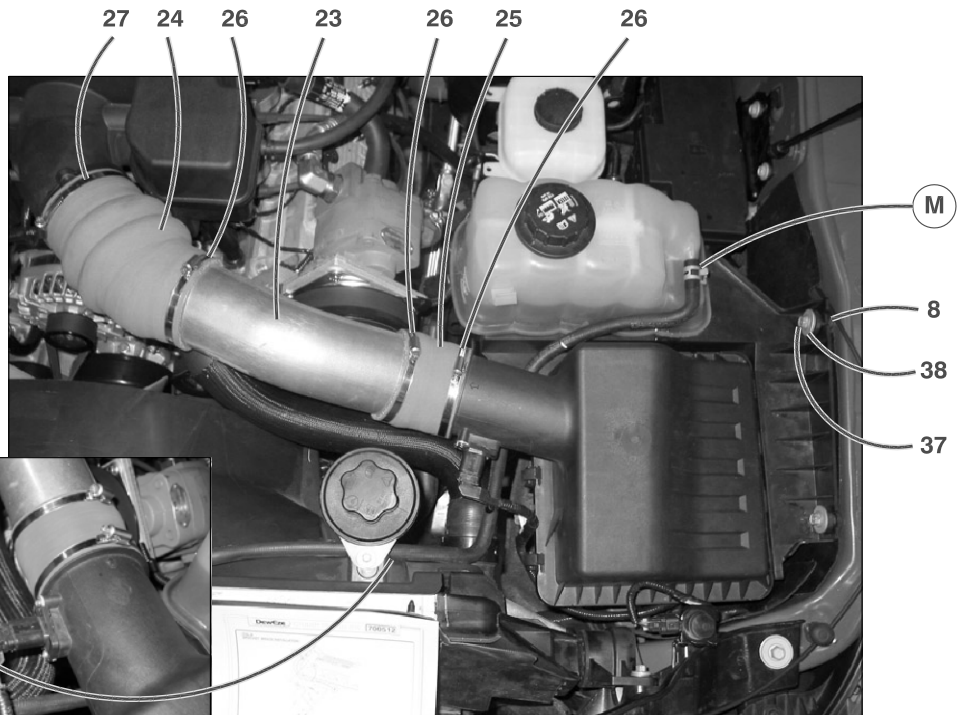


FIG. 5

**BRACKET LOCATION
RADIATOR HOSE SPLICE**

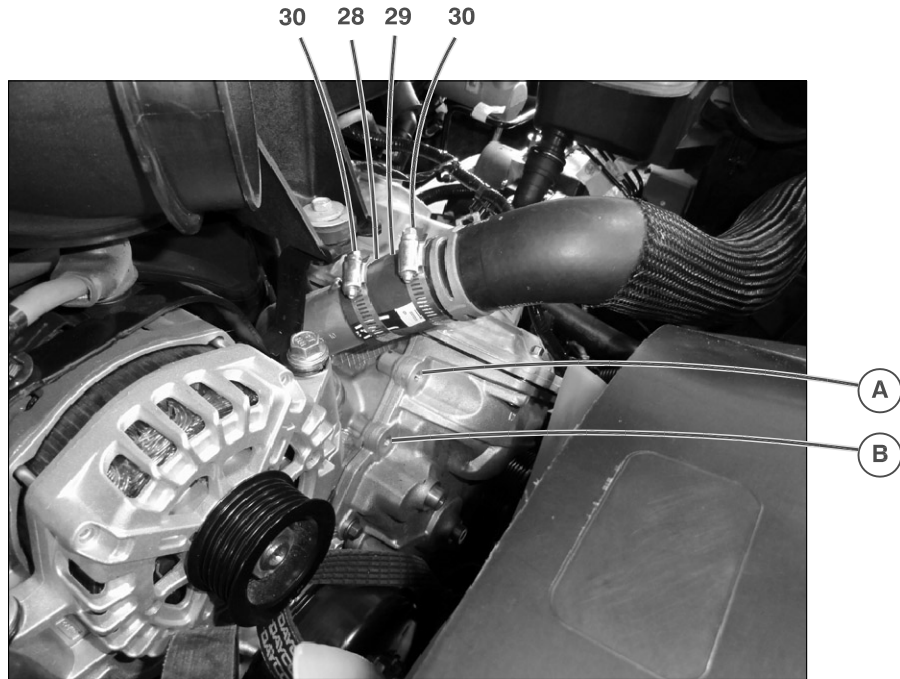
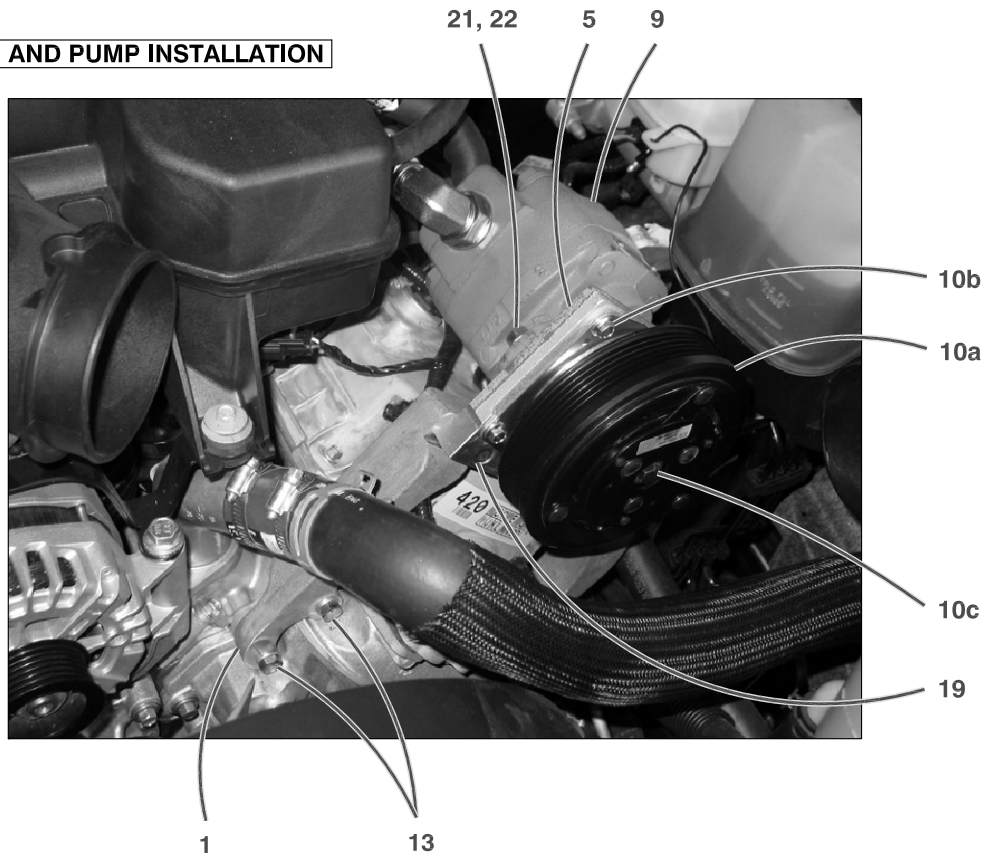


FIG. 6

BRACKET AND PUMP INSTALLATION



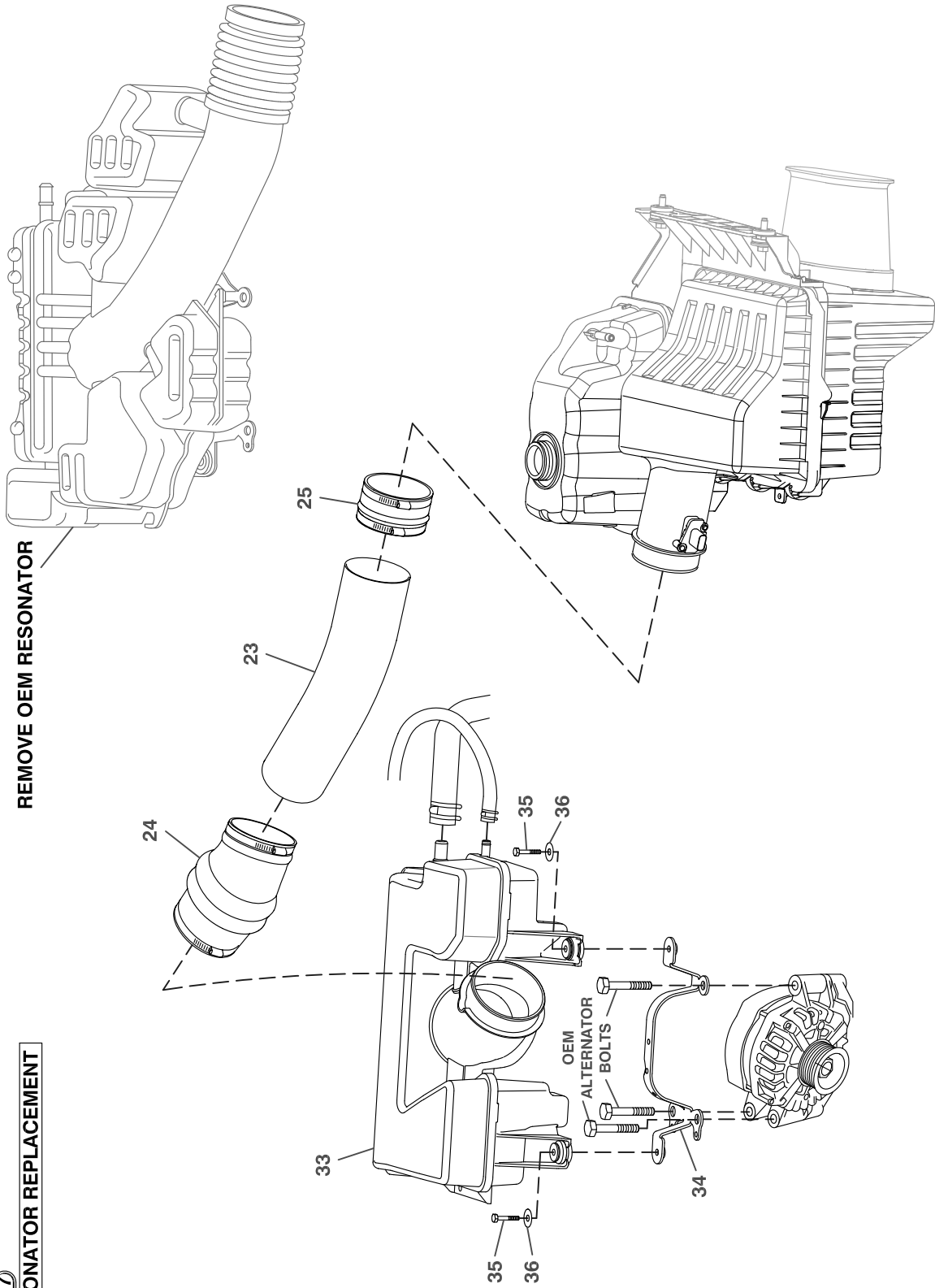


FIG. 7
RESONATOR REPLACEMENT

DewEze Clutch Pump Kit 700564

Ford 6.2L Gas, A Pump, Side Port, 2014+

INSTALLATION INSTRUCTIONS

1. The installation of this kit requires trained decision-making concerning clearances, tying components together, rerouting, or relocating OEM components, etc. It is impossible to describe all of the clearance and vibration points, etc. in the installation instructions. Therefore, the technician must exercise professional judgment to achieve the best quality installation.
2. Disconnect the battery. Remove the belt.
3. Remove the two bolts mounting the resonator. Remove the resonator/air tube. Remove three alternator mounting bolts and remove the resonator mounting bracket (34). Install the new resonator bracket (34) with the OEM alternator bolts. Install the new resonator (33) using two M6 x 30 bolts (35) with two 1/4 flat washers (36).
4. Drain just enough of the engine coolant to remove the upper radiator hose from the engine water neck. Insert the hose splice (28) into the OEM radiator hose, push the short piece of radiator hose (29) onto the splice and onto engine with two 1.5" hose clamps (30). Unclamp the hose from the top front of the coolant tank (Location M), thread it between the power steering reservoir and the fan shroud and connect it back to the coolant tank. Replace coolant.
5. The supply hose for the power steering pump must be rotated to clear the new belt routing. Hold the spring clamp with locking pliers, and rotate the hose as far towards the driver side fender as possible. Using a cable tie (31), secure the steering hose to the radiator hose running between the coolant tank and the radiator. On 2012 and newer trucks, pull the wiring cable from the attachment point on the front of the driver's side valve cover at Location P, Fig. 7. Cut off that tab from the cover to give clearance for the belt.
6. Remove the rear bolt from the airbox attached to the fender, Fig. 4, and place the 1/2" heavy washer (8) between the airbox and the fender to angle the outlet tube forward. Fasten with M8 x 35 bolt (37) and 5/16 large dia flat washer (38).
7. Remove the three bolts on the lower portion of engine at Locations G, H, and J. Install the idler bracket (2) with two M8 x 65 hex head bolts (12) and two M8 flat washers (17) at Locations G and J. Insert the M8 x 60 low head socket head bolt (11) at Location H. Install the flat idler (6) with 3/8 x 1 1/2 bolt (16) and 3/8 flat washer (18) at Location L.
8. Install the pump bracket brace (3) to the two large threaded holes on the side of the cylinder head at Locations D and E, placing the bushing (4) between the front hole and the bracket using M16 x 35 flange bolts (14). Do not completely tighten.
9. Remove the OEM flat idler at Location K. Remove the OEM stud bolt holding the wiring clip at Location N. Let the wiring rest below the pump. Remove the three bolts at locations A, B, and C. Install the pump bracket (1) with three M8 x 50 hex bolts (13) and three M8 flat washers (17). Fasten brace to pump bracket with 3/8 x 3/4 flange head bolt (15) through brace into back of pump bracket. Tighten all the bolts on the brace. Install the 6-groove idler (7) at Location K with the OEM bolt.
10. Mount the pump (10) to the back of the pump plate (5) with two 3/8 x 1 1/4 bolts (21) and two 3/8 flat washers (22). Install fittings to pump, then install pump plate with three 3/8 x 1.25 socket head bolts. Mount the clutch coil (10a) to the pump bracket with four 1/4 x 1/2 flange bolts (10b). Mount the clutch pulley (10c) to the pump shaft with the 5/16 x 1 1/4 bolt (10d) and heavy flat washer (10e) making sure the key is in place on the shaft.
11. Install belt (32) according to diagram.
12. Place elbow (25) onto airbox with 3.5" clamp (26). Insert DewEze air tube (23) into elbow using a 3.5" clamp (26). Place 3.5" end of reducer onto air tube using 3.5" clamp (26), also pushing 4" end onto air intake using the 4" clamp (27). Make sure there is clearance between the air tube and the clutch. Adjust the air tube and elbow by twisting them if needed.
13. Reconnect the battery.
14. Run the engine and check for any clearance or alignment problems. Adjust as needed.