

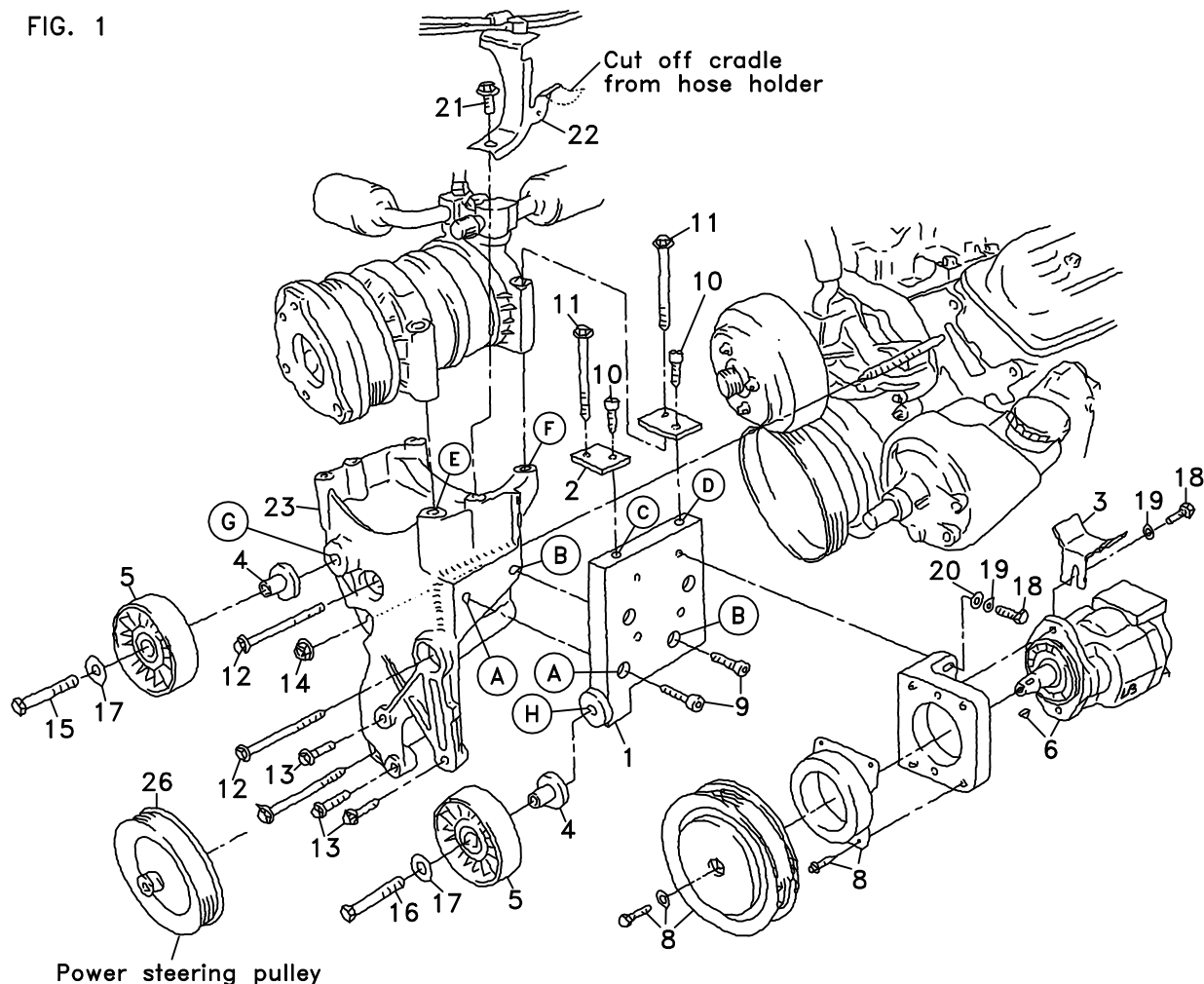
DewEze**CLUTCH PUMP KIT**

710068	Bracket Assy. (Inc. items 1-3)		Kit No.	700088
711012	Bracket Bolt Pkg. (Inc. items 9,10,18-20)		Make	Chevy
None	Pulley Bolt Pkg. (Inc. items)		Engine	(5.7L) 350
711013	Idler Bolt Pkg. (Inc. items 4,16,17)		Fuel	Gas
711014	Idler Bolt Pkg. (Inc. items 4,15,17)		Year	1996
None	Fan Spacer Bolt Pkg. (Inc. item)		Options	With A/C
			Revised	D 2-13-04

ITEM	PART #	DESCRIPTION		
1.	711023	Pump mount plate	15.	110180 10mm x 60mm x 1.50 Bolt
2.	711008	Tab	16.	110179 7/16 x 2 3/4 Bolt
3.	711006	Hose holder	17.	110670 7/16 Flat washer
4.	711009	Idler bushing	18.	10425 3/8NC x 1 1/4 Bolt
5.	740151	Idler	19.	110672 3/8 Lock washer
6.	*	Pump	20.	110676 3/8 Flat washer
7.	711216	Footmount	21.	OEM Bolt
8.	740144	Clutch, serpentine	22.	OEM Hose holder
9.	110178	3/8NC x 1 1/2 Skt hd bolt	23.	700214 Air conditioner bracket
10.	110440	3/8NC x 1 Wiz flange bolt	24.	OEM Engine lift hook
11.	OEM	Bolt	25.	OEM Nut
12.	OEM	Bolt	26.	OEM Power steering pulley
13.	OEM	Bolt	27.	740208 Belt, Micro-V K061145
14.	OEM	Nut		

* See Master List For Pump Part No.

FIG. 1



(A) Denotes bolt holes in engine to locate corresponding holes in Pump Brkt.

FIG. 2

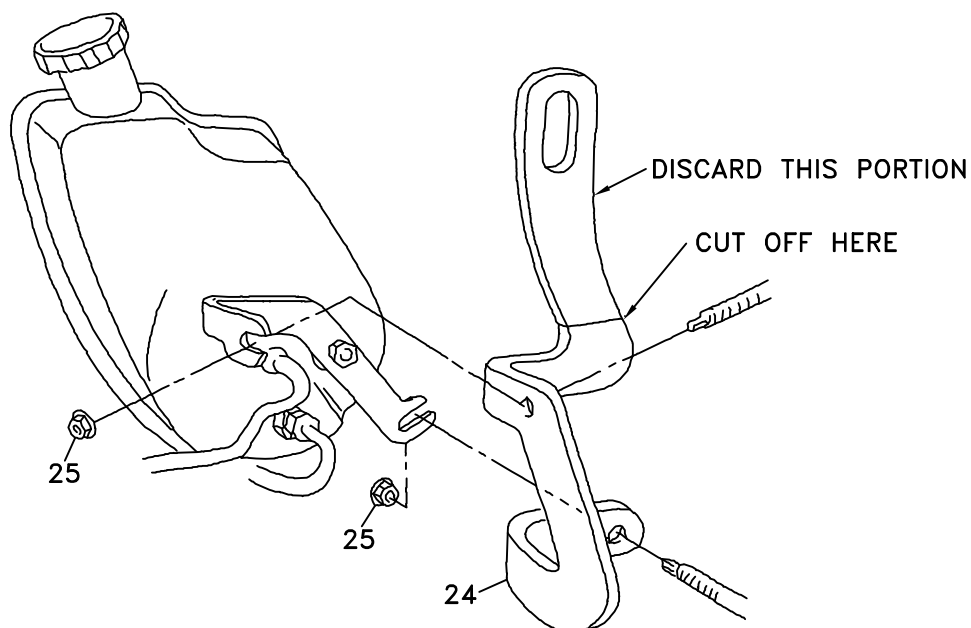
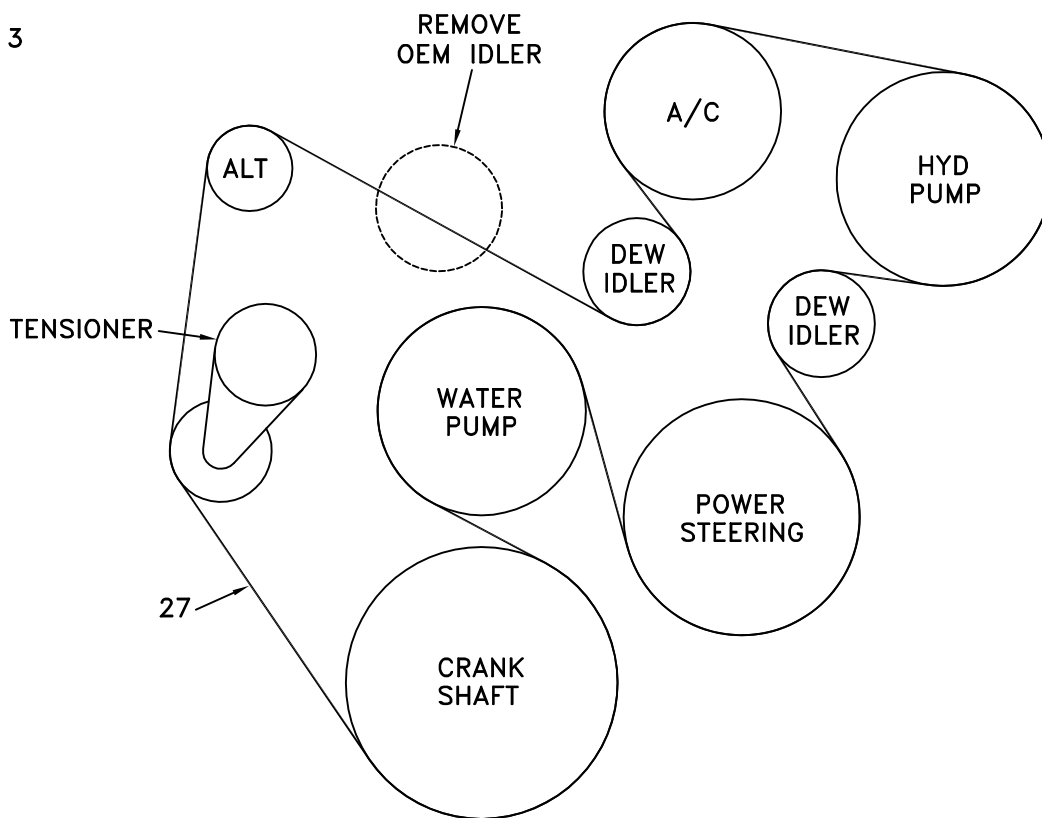


FIG. 3



DewEze

Clutch Pump Kit
#700088
Chevy 350
With A/C
1996

INSTALLATION INSTRUCTIONS

NOTE: Suction hose to pump must be a wire braid hose; minimum 1" I.D. for 7 & 9 gpm pumps; 1 1/4" I.D. for 12 & 17 gpm pumps. Installations with smaller suction hoses will void the pump warranty.

1. Disconnect battery.
2. Remove fan and fan shroud.
3. Remove bolts from air conditioner (11) and radiator hose support (21).
4. Remove power steering pulley (26).
5. Remove bolts (12, 13) and nut (14) mounting air conditioner bracket to engine.
6. Remove power steering pump from engine (2 nuts on back side).
7. Remove engine lifting bracket (24) behind power steering pump.
8. Cut lifting bracket as shown in fig. 2. Discard upper slotted portion.
9. Replace lifting bracket back on engine.
10. Replace power steering pump and secure with OEM nuts.
11. Bolt DewEze air conditioner bracket (23) in place using OEM bolts (12, 13) and nut (14).
12. Replace power steering pulley.
13. Bolt air conditioner compressor in place on bracket with only two bolts (11) on passenger side.
14. Cut radiator hose support cradle off of OEM bracket as shown in fig. 1. Bolt back on air conditioner bracket using OEM bolt (21).
15. Bolt on pump mounting plate (1) using two 3/8 x 1 1/2 socket head bolts (9) in holes (A and B).
16. Place tabs (2) on top of pump plate (1) and air conditioner compressor at holes (C, D, E, F) using OEM bolts (11) in air conditioner compressor and 3/8 x 1 wiz bolts (10) in pump plate.
17. Place footmount on plate using four 3/8 x 1 1/4 bolts (18) with 3/8 lock washers (19) and 3/8 flat washer (20).
18. Mount pump on footmount using two 3/8 x 1 1/4 bolts (18) with 3/8 lock washers (19). Do not tighten.
19. Place hose holder (3) on top mounting bolt of pump, tighten bolts.

20. Mount clutch coil (8) using four wiz bolts provided with clutch. Mount clutch pulley using bolt and heavy flat washer provided with clutch.
21. Bolt idler pulley (5) using 7/16 x 2 3/4 bolt (16), 7/16 flat washer (17), and bushing (4) into pump plate at hole (H).
22. Bolt idler pulley (5) using 10mm x 60mm bolt (15), 7/16 flat washer (17), and bushing (4) into air conditioner bracket at hole (G).
23. Install belt (27) as shown in fig. 3.
24. Reconnect the battery.
25. Run the engine and check for any clearances or alignment problems. Adjust as needed.
26. Place fan and shroud into position.
27. Run the engine again, checking for any problems.