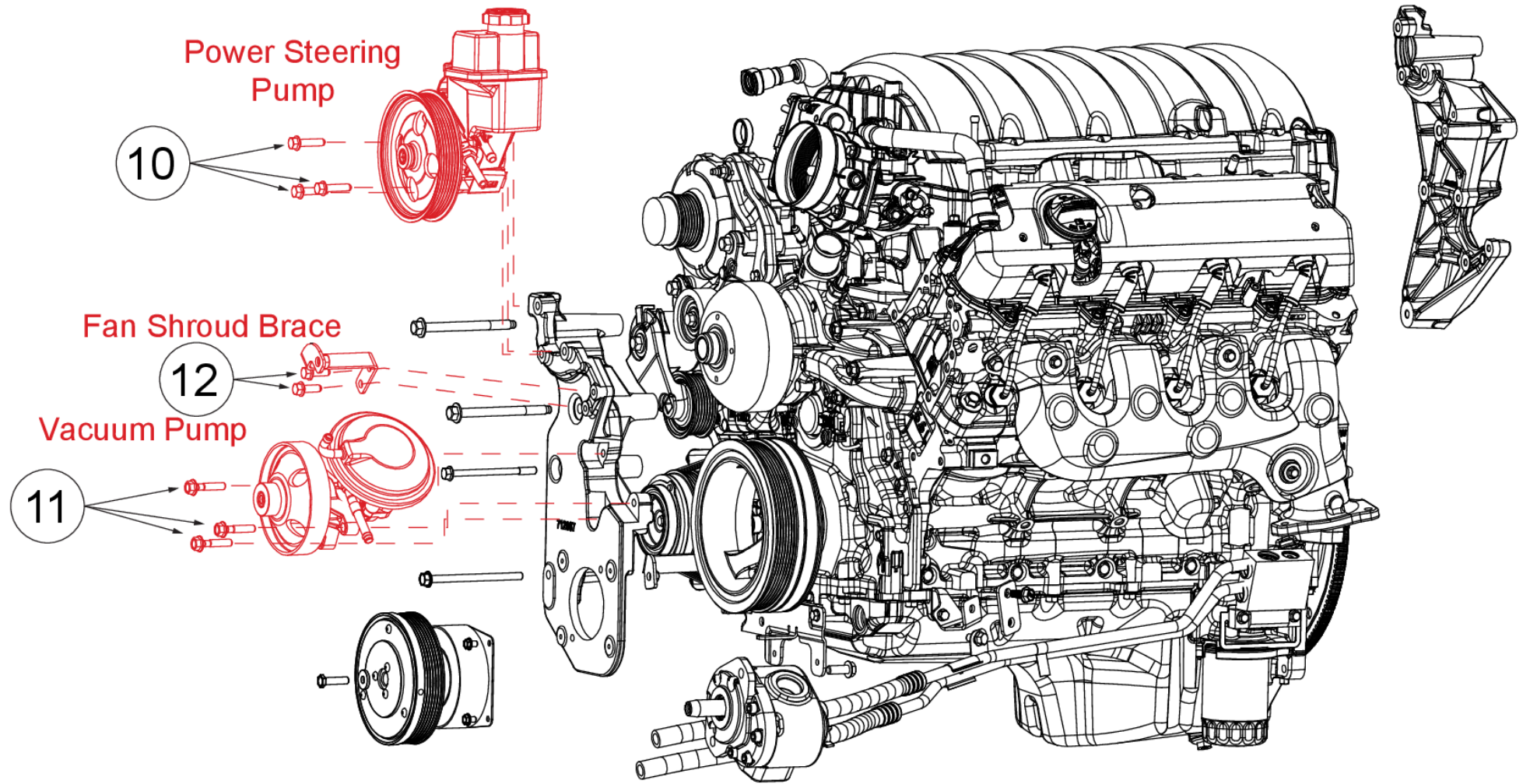


///HARPER INDUSTRIES, INC.

700610

Images and 2D Drawings





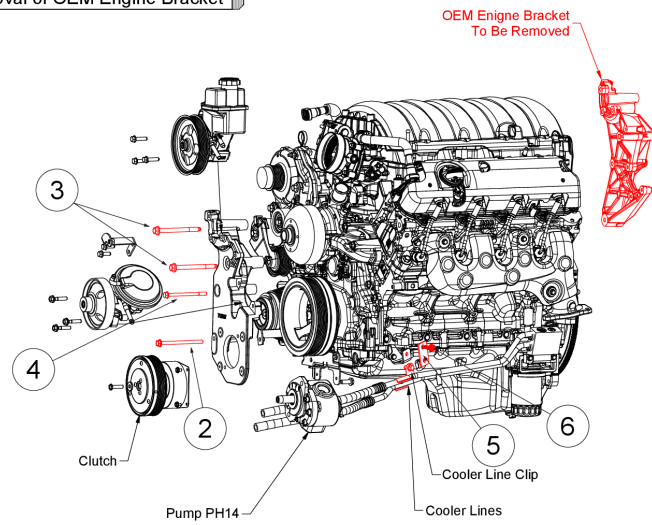
Assembly Details:

Assembly Number: '700610'

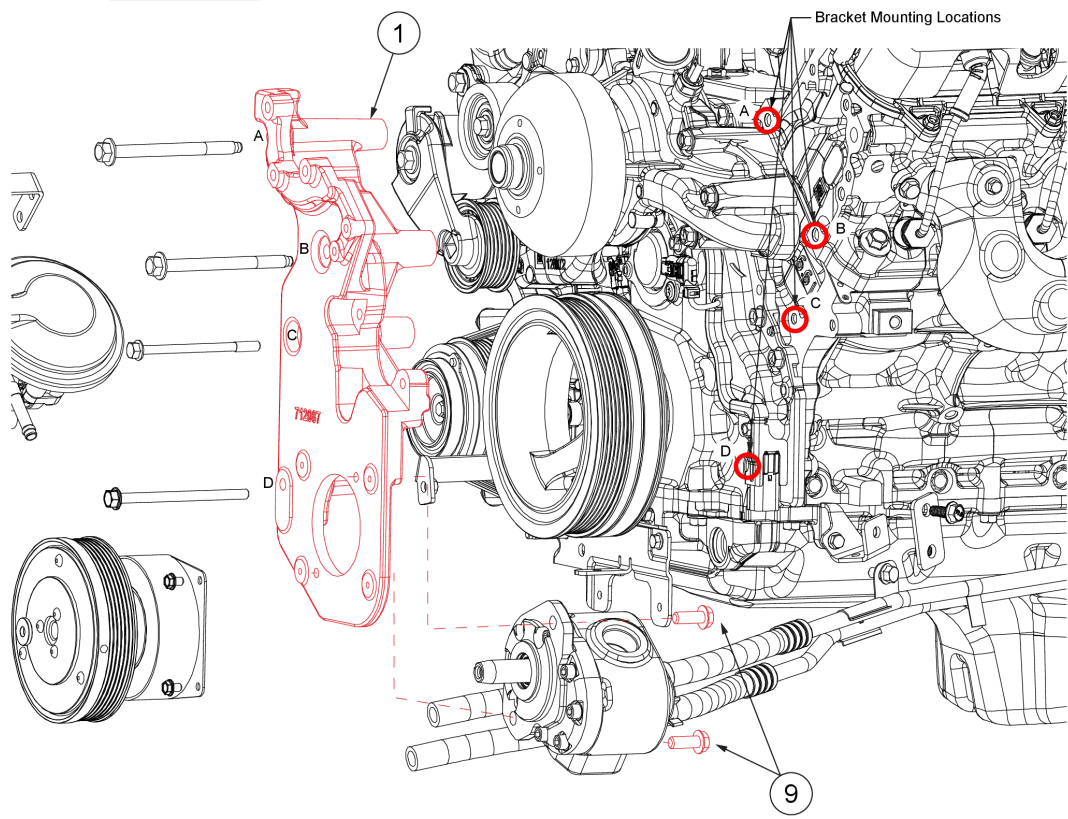
Assembly Description: Clutch Pump Kit

Item	Assembly	Part Number	Description	Quantity	UOM	Order Multiple
7.2	No	720294	Pump 12gpm A Mount Parker PH14 304-9110-003 Side Port S20mb P12mb	1	EA	1

Removal of OEM Engine Bracket



Deweze Bracket



Item	Assembly	Part Number	Description	Quantity	UOM	Order Multiple
7.1	No	720295	Pump 17gpm A Mount Parker PH14 304-9110-004 Side Port S20mb P12mb	1	EA	1
7.4	No	720300	Pump 7gpm A Mount Parker PH14 304-9110-005 Side Port S16mb P12mb	1	EA	1
7.3	No	720301	Pump 9gpm A Mount Parker PH14 304-9110-006 Side Port S16mb P12mb	1	EA	1
8.2	No	740144	Clutch Assy 6 Groove A Mount Tapered 6" Warner 1417-11 12VDC	1	EA	1
8.1	No	742016	Clutch Assy 6 Groove A Mount Tapered 6" Ogura MA-MG01-1V MAE-MG129 12VDC	1	EA	1
1	No	716279	Pump Mount Bracket	1	EA	1
2	No	112086	Bolt M8-1.25 X 120 Flange Gr 10.9 Zinc	1	EA	1
5	No	715075	Cooler Line Bracket	1	EA	1
6	No	110929	Bolt M8-1.25 X 20 Wiz Flange	1	EA	1
9	No	110440	Bolt 3/8-16 X 1.00 Wiz Flange Gr 5 Zinc	1	EA	1
13	No	740184	Serpentine Belt 6 Rib 104.5"	1	EA	1