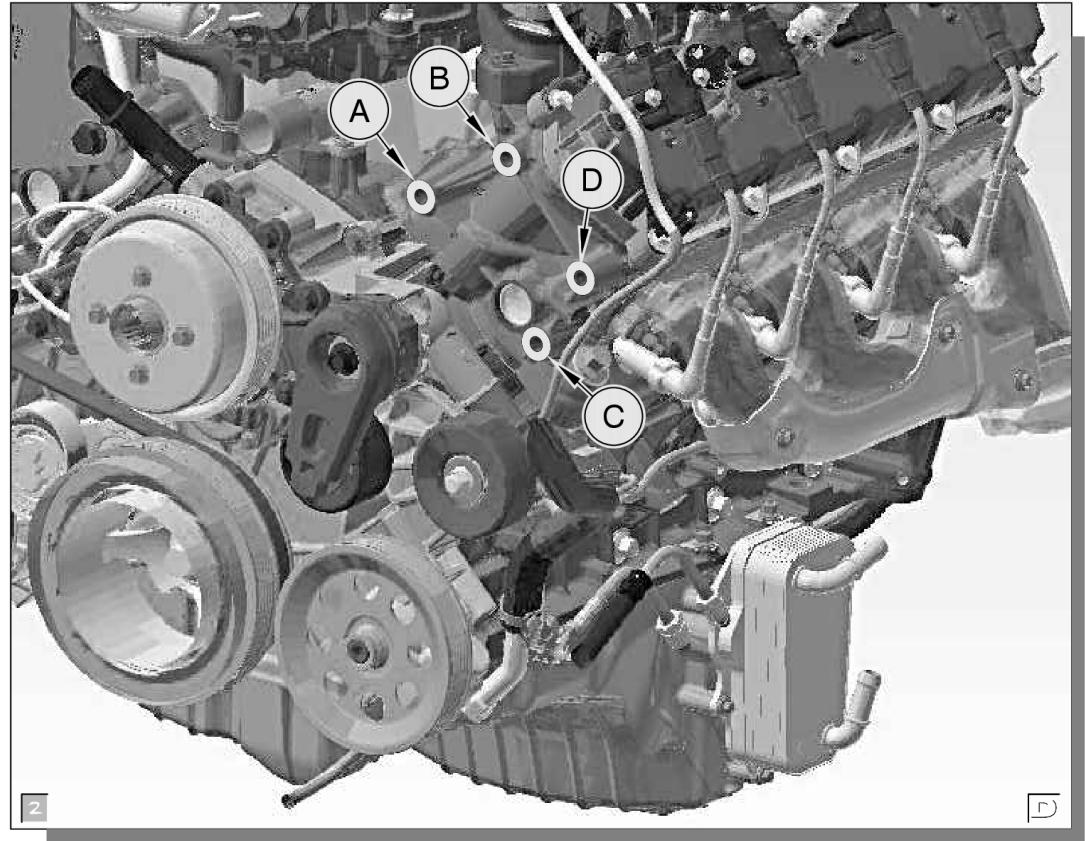
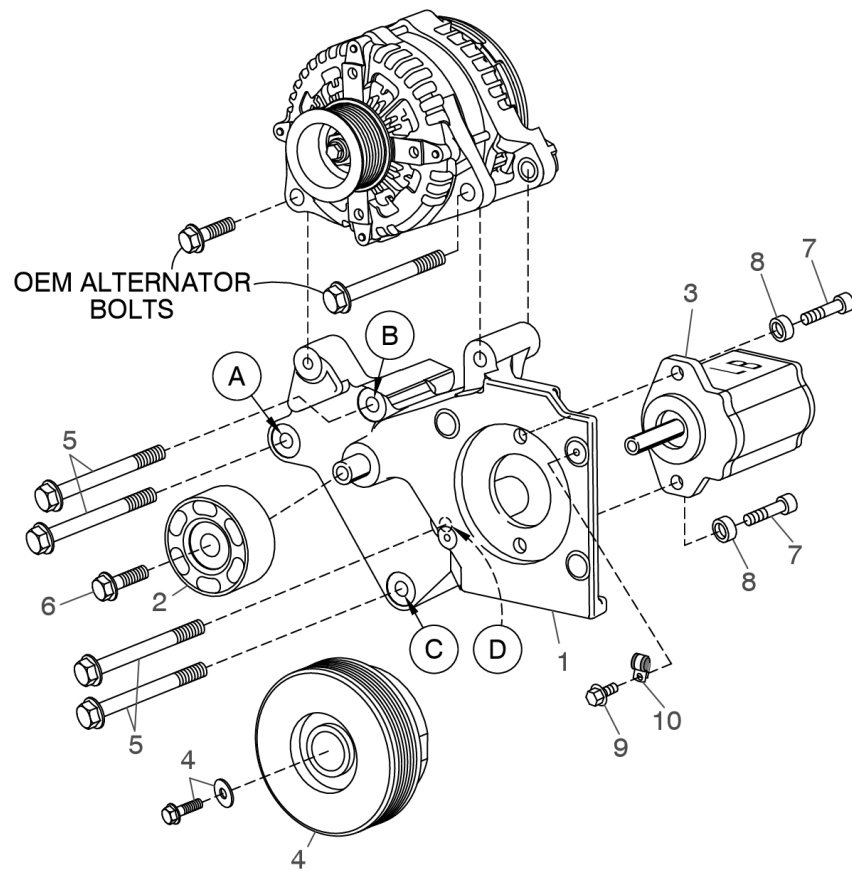


///HARPER INDUSTRIES, INC.

700602

Images and 2D Drawings





Assembly Details:

Assembly Number: '700602'

Assembly Description: Clutch Pump Kit

Item	Assembly	Part Number	Description	Quantity	UOM	Order Multiple
3.3	No	720176	Pump .61cid AA Mount Parker P505 331-9110-002 Rear Port S10mb P8mb	1	EA	1

Item	Assembly	Part Number	Description	Quantity	UOM	Order Multiple
3.2	No	720178	Pump .68cid AA Mount Parker P505 331-9110-247 Rear Port S10mb P8mb	1	EA	1
3.4	No	720202	Pump .49cid AA Mount Parker P505 331-9110-145 Rear Port S10mb P8mb	1	EA	1
3.1	No	720206	Pump .73cid AA Mount Parker P505 331-9110-165 Rear Port S10mb P8mb	1	EA	1
3.5	No	720214	Pump .43ci AA Mount Parker P505 331-9110-207 Rear Port S10mb P8mb	1	EA	1
1	No	716267	Pump Mount Bracket	1	EA	1
2	No	740151	Idler Assy 3" Flat	1	EA	1
4	No	740162	Clutch Assy 6 Groove AA Mount Straight 5" Warner 1417-24 12VDC	1	EA	1
5	No	112107	Bolt M10-1.5 X 100 Flange Gr 10.9	1	EA	1
6	No	112072	Bolt M10-1.5 X 40 Flange Gr 10.9	1	EA	1
7	No	110465	Bolt 3/8-16 X 1.25 SHCS Plain	1	EA	1
8	No	110271	Washer 3/8" Lock High Collar	1	EA	1
9	No	110434	Bolt 1/4-20 X .50 Wiz Flange Gr 5 Zinc	1	EA	1
10	No	110117	Clamp 1/4" Adel	1	EA	1
11	No	740461	Serpentine Belt 6 Rib 93.8"	1	EA	1