

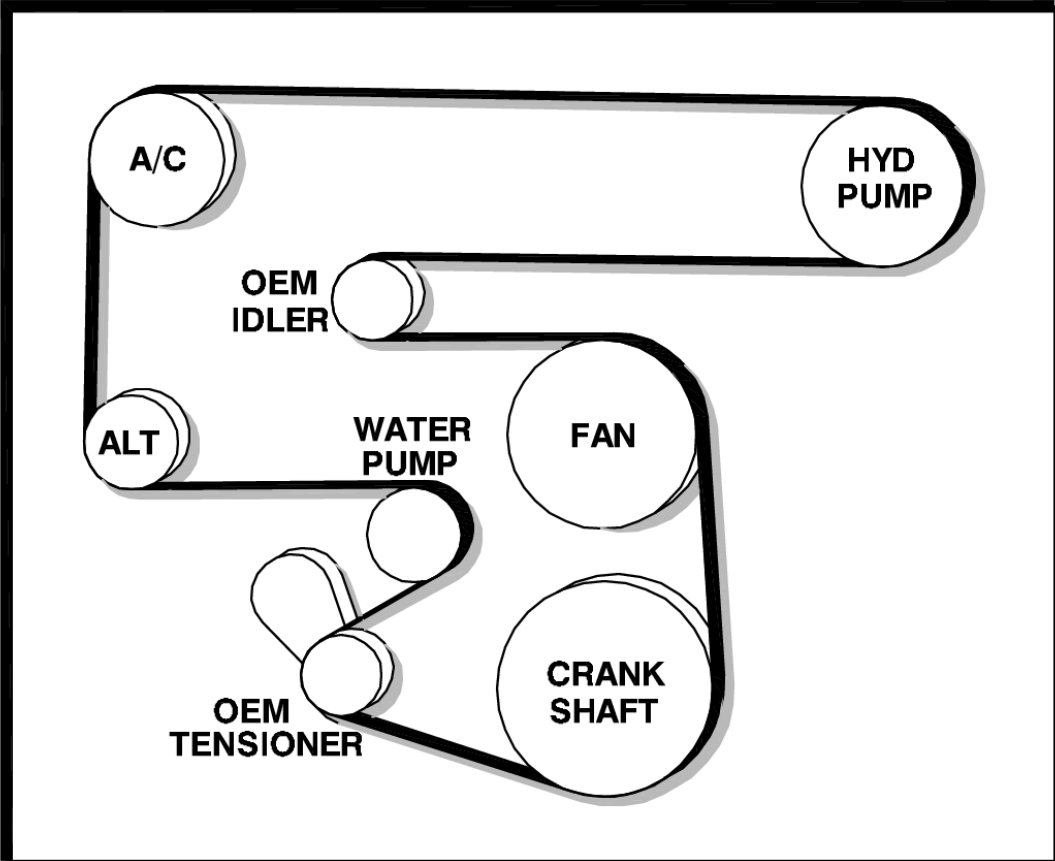
///HARPER INDUSTRIES, INC.

700552

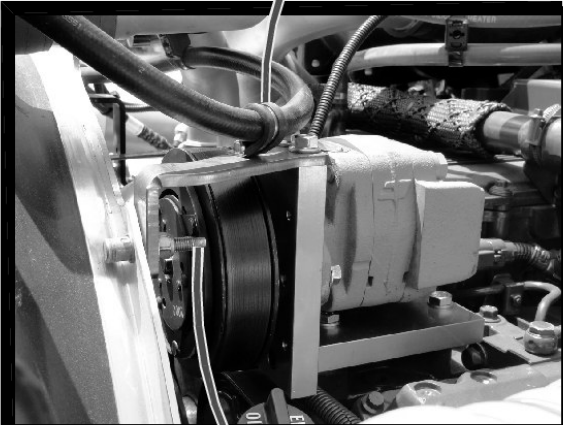
Images and 2D Drawings



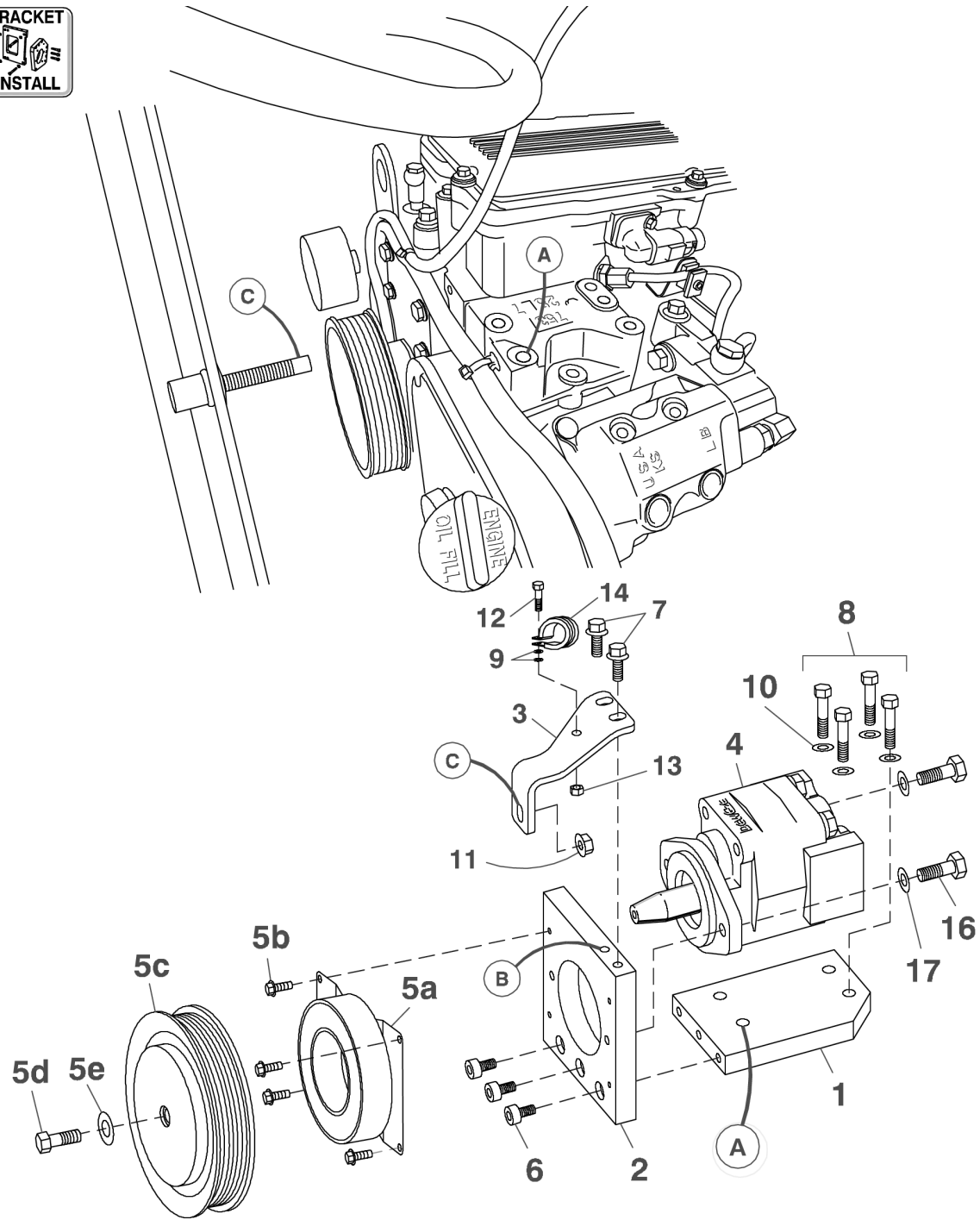
BELT DIAGRAM



14. HOSE CLAMP



C



Assembly Details:

Assembly Number: '700552'

Assembly Description: Clutch Pump Kit

Item	Assembly	Part Number	Description	Quantity	UOM	Order Multiple
4.4	No	720172	Pump 7gpm A Mount Parker P315 326-9110-116 Rear Port S16mb P12mb	1	EA	1
4.3	No	720173	Pump 9gpm A Mount Parker P315 326-9110-214 Rear Port S16mb P12mb	1	EA	1
4.2	No	720174	Pump 12gpm A Mount Parker P315 326-9110-215 Rear Port S20mb P16mb	1	EA	1
4.1	No	720175	Pump 17gpm A Mount Parker P315 326-9110-216 Rear Port S20mb P16mb	1	EA	1
5.2	No	740148	Clutch Assy 8 Groove A Mount Tapered 6" Warner 1417-42 12VDC	1	EA	1
5.1	No	742009	Clutch Assy 8 Groove A Mount Tapered 6" Ogura MA-MG02-DE 12VDC	1	EA	1
4.5	No	720170	Pump 5gpm A Mount Parker P315 326-9110-115 Rear Port S16mb P12mb	1	EA	1
4.7	No	720286	Pump 9gpm A Mount Parker P415 326-9110-214 Rear Port S16mb P12mb High Pressure	1	EA	1
4.6	No	720288	Pump 12gpm A Mount Parker P415 326-9110-215HP Rear Port S20mb P16mb High Pressure	1	EA	1
4.8	No	720302	Pump 7gpm A Mount Parker P415 326-9110-116 Rear Port S16mb P12mb High Pressure	1	EA	1
1	No	716134	Base Plate	1	EA	1
2	No	716135	Pump Plate	1	EA	1
3	No	716136	Fan Shroud Brace	1	EA	1

Item	Assembly	Part Number	Description	Quantity	UOM	Order Multiple
6	No	110395	Bolt 3/8-16 X 1.00 SHCS Plain	1	EA	1
7	No	110437	Bolt 3/8-16 X .75 Wiz Flange Gr 5 Zinc	1	EA	1
8	No	110526	Bolt M10-1.5 X 40 HHCS Gr 10.9 Zinc	1	EA	1
9	No	110703	Washer M8 Flat Zinc	1	EA	1
10	No	110955	Washer M10 Flat	1	EA	1
15	No	740333	Serpentine Belt 8 Rib 118.9"	1	EA	1
16	No	110425	Bolt 3/8-16 X 1.25 HHCS Gr 5 Zinc	1	EA	1
17	No	110676	Washer 3/8" Flat Zinc	1	EA	1