

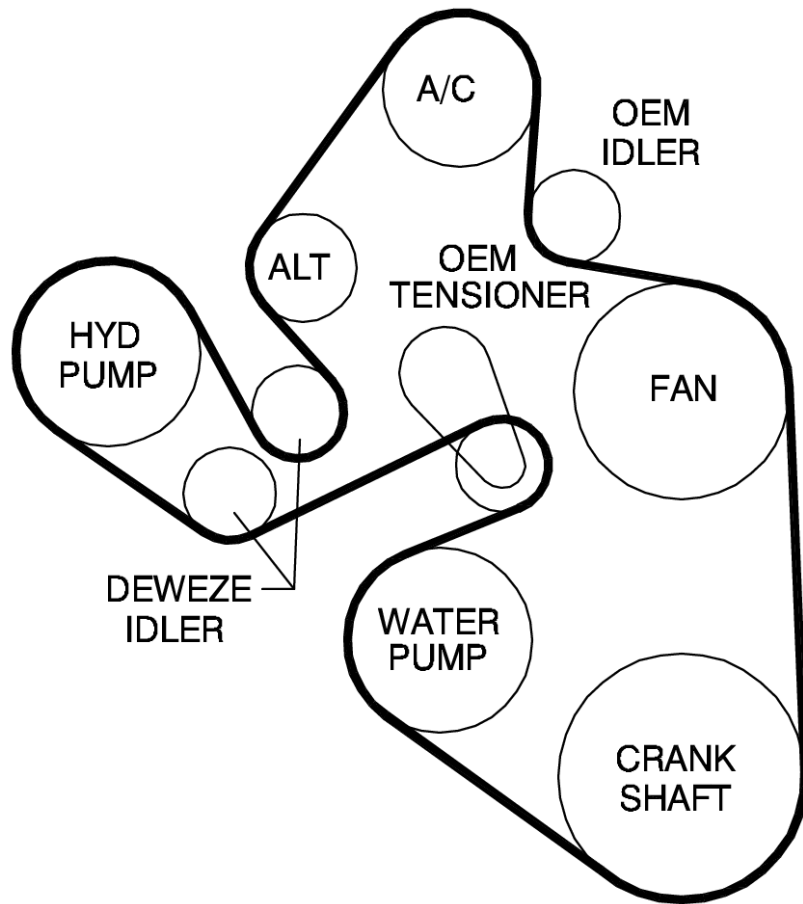
**///HARPER** INDUSTRIES, INC.

**700547**

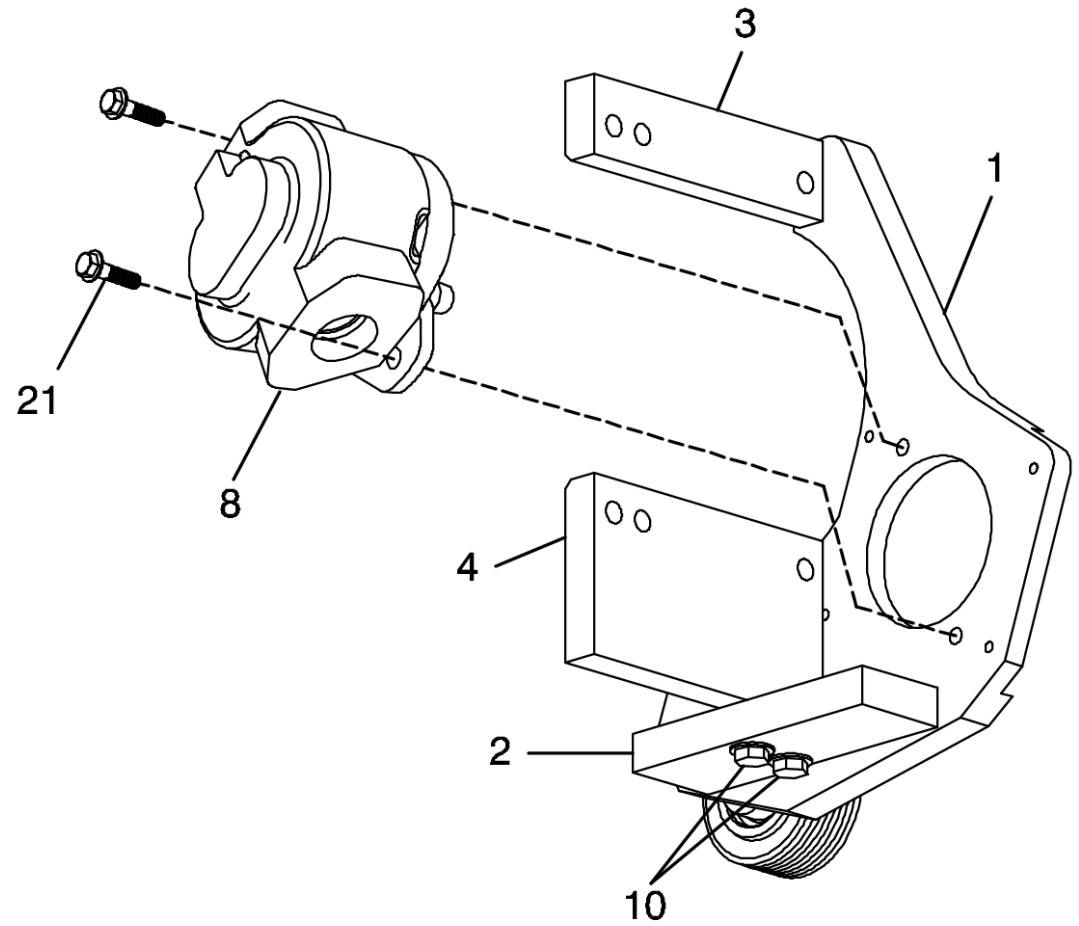
**Images and 2D Drawings**

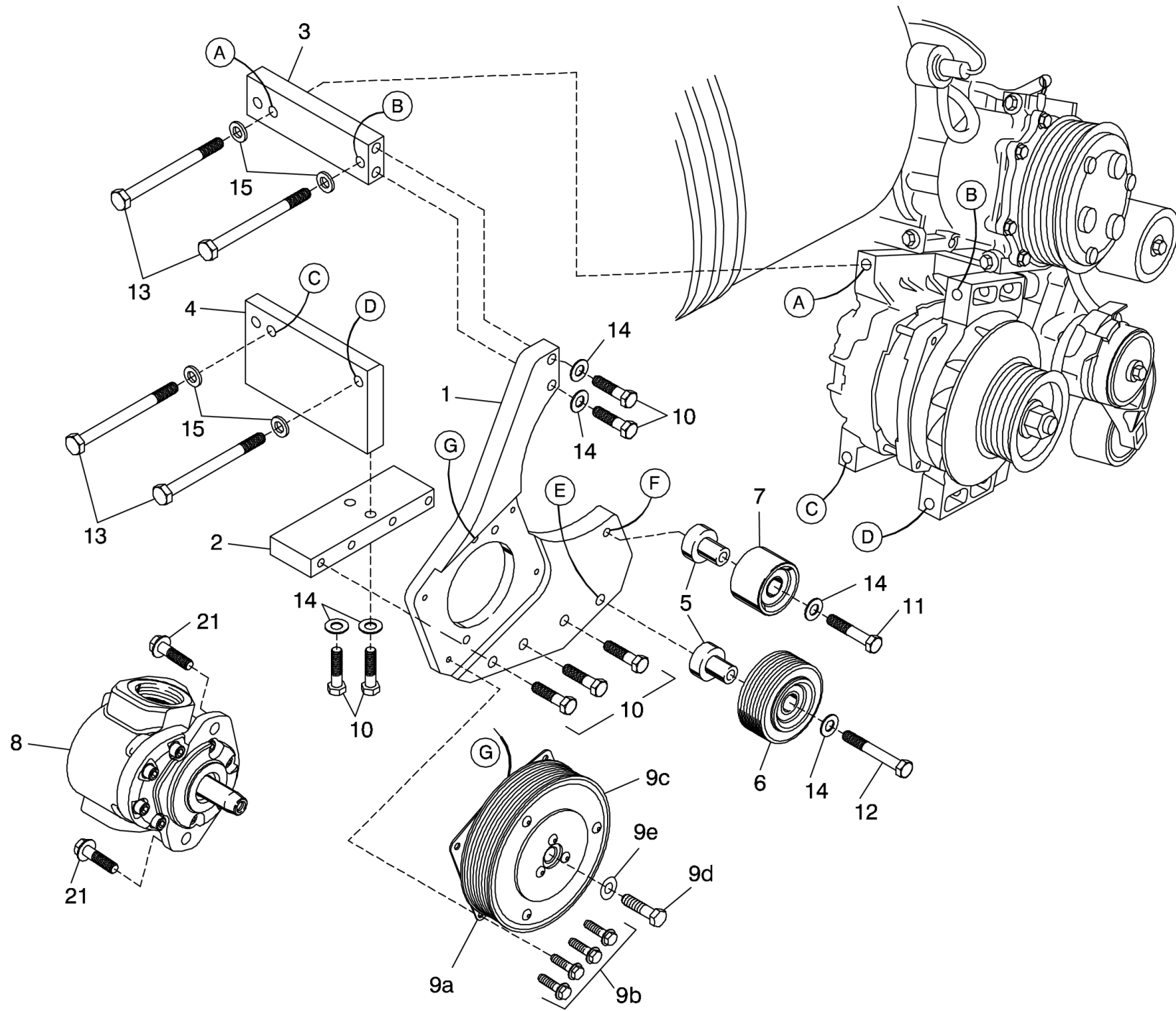


**FIG. 1**  
**BELT DIAGRAM**



**BRACKET ASSY, REAR VIEW**





Assembly Details:

Assembly Number: '700547'

Assembly Description: Clutch Pump Kit

Item	Assembly	Part Number	Description	Quantity	UOM	Order Multiple
8.2	No	720294	Pump 12gpm A Mount Parker PH14 304-9110-003 Side Port S20mb P12mb	1	EA	1
8.1	No	720295	Pump 17gpm A Mount Parker PH14 304-9110-004 Side Port S20mb P12mb	1	EA	1
8.4	No	720300	Pump 7gpm A Mount Parker PH14 304-9110-005 Side Port S16mb P12mb	1	EA	1
8.3	No	720301	Pump 9gpm A Mount Parker PH14 304-9110-006 Side Port S16mb P12mb	1	EA	1
9.2	No	740148	Clutch Assy 8 Groove A Mount Tapered 6" Warner 1417-42 12VDC	1	EA	1
9.1	No	742009	Clutch Assy 8 Groove A Mount Tapered 6" Ogura MA-MG02-DE 12VDC	1	EA	1
1	No	712040	Pump Mount Plate	1	EA	1
2	No	716107	Bottom Alternator Bracket	1	EA	1
3	No	716108	Top Alternator Bracket	1	EA	1
4	No	716109	Mounting Block	1	EA	1
5	No	716110	Idler Bushing	1	EA	1
6	No	740397	Idler Assy	1	EA	1
7	No	740339	Idler Assy	1	EA	1
10	No	110435	Bolt 3/8-16 X 1.50 HHCS Gr 5 Zinc	1	EA	1
11	No	110400	Bolt 3/8-16 X 2.00 HHCS Gr 5 Zinc	1	EA	1
12	No	110381	Bolt 3/8-16 X 2.75 HHCS Gr 5 Zinc	1	EA	1
13	No	110487	Bolt M10-1.5 X 120 HHCS 10.9 Zinc	1	EA	1

Item	Assembly	Part Number	Description	Quantity	UOM	Order Multiple
14	No	110676	Washer 3/8" Flat Zinc	1	EA	1
15	No	110955	Washer M10 Flat	1	EA	1
16	No	742094	Serpentine Belt 8 Rib 114.5"	1	EA	1
17	No	702129	Charge Air Cooler Hose 3.00"	1	EA	1
18	No	702130	Charge Air Cooler Hose 3.50"	1	EA	1
19	No	102069	Clamp 3" Spring Loaded	1	EA	1
20	No	102070	Clamp 3.75" Spring Loaded	1	EA	1
21	No	110440	Bolt 3/8-16 X 1.00 Wiz Flange Gr 5 Zinc	1	EA	1