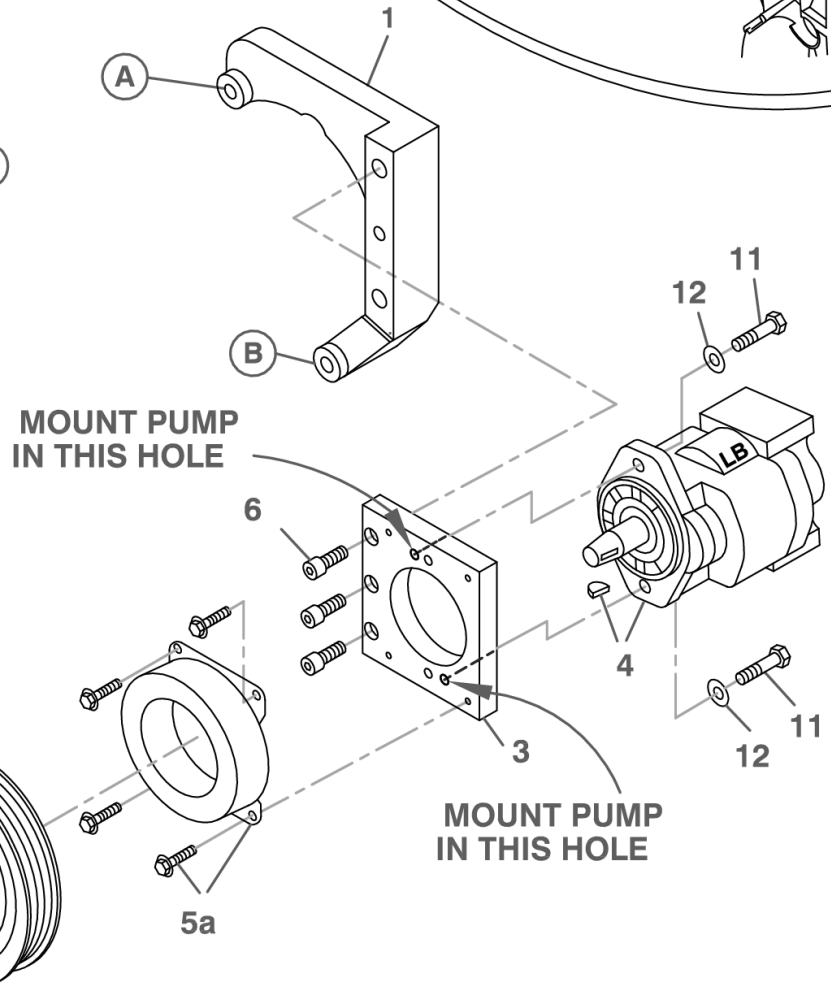
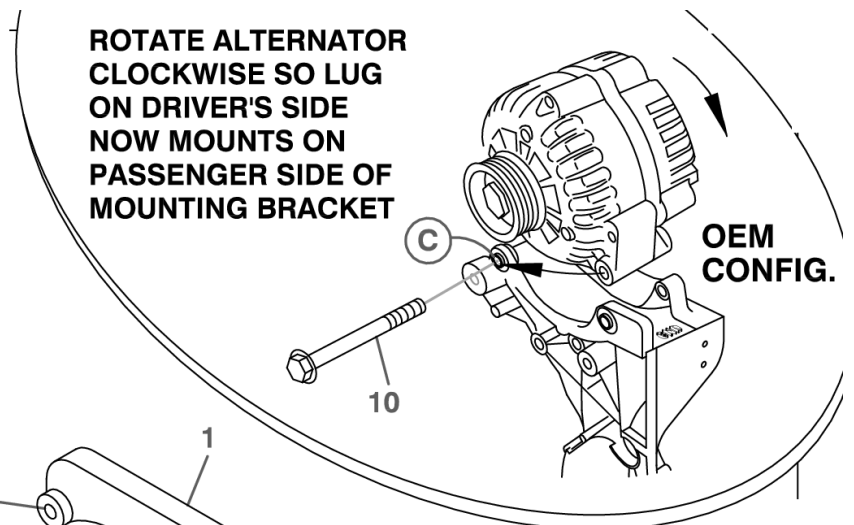
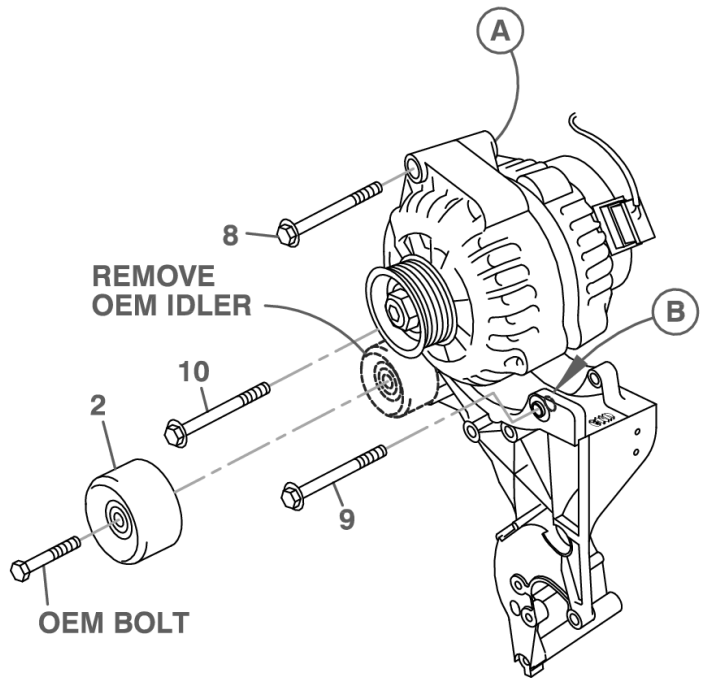


///HARPER INDUSTRIES, INC.

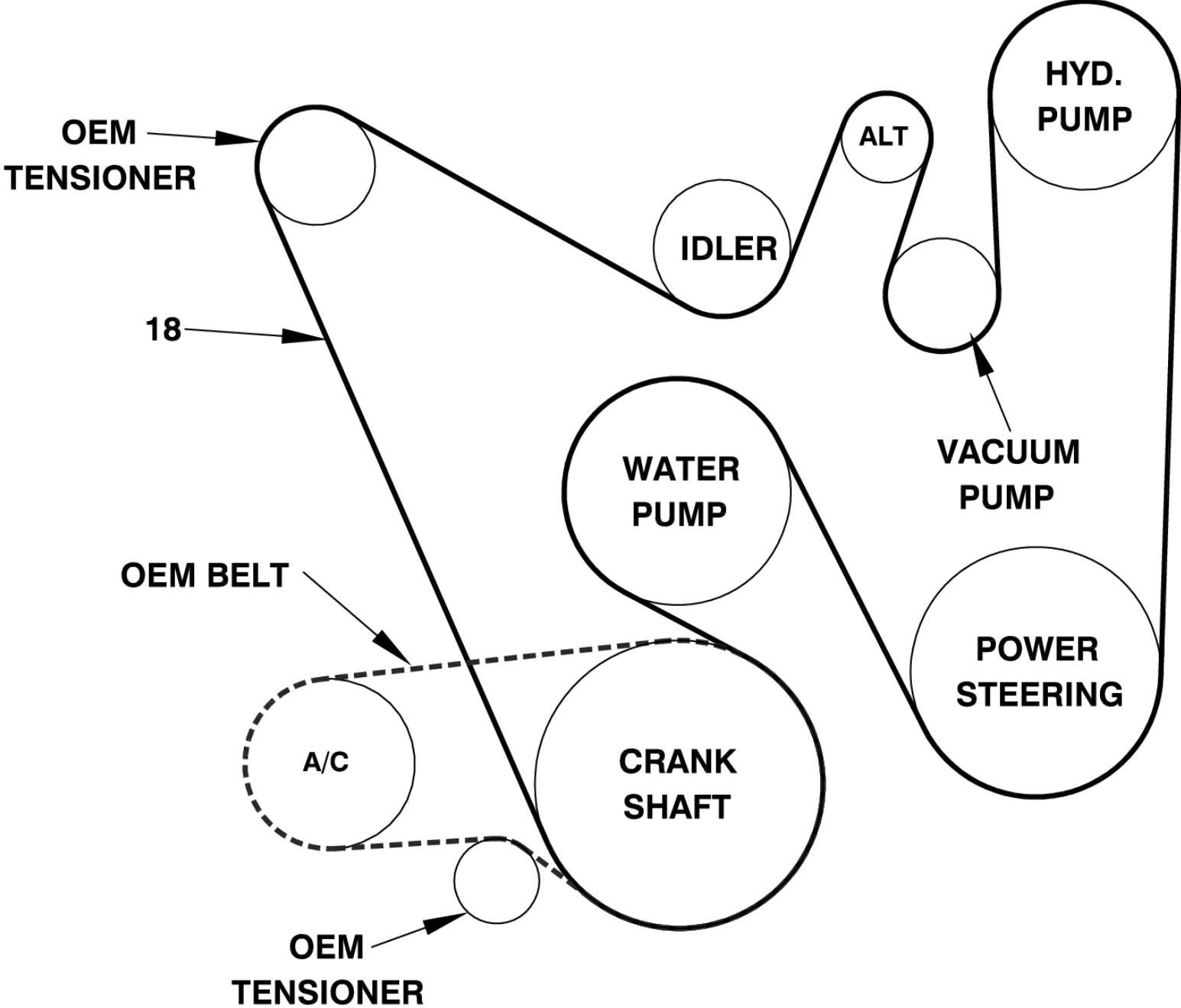
700505

Images and 2D Drawings





BELT DIAGRAM



Assembly Details:

Assembly Number: '700505'

Assembly Description: Clutch Pump Kit

Item	Assembly	Part Number	Description	Quantity	UOM	Order Multiple
19.1	No	700256	Hose Insulation 1.75 X 30.00	1	EA	1
19.2	No	700257	Hose Insulation 1.5 X 30	1	EA	1
20.1	No	700257	Hose Insulation 1.5 X 30	1	EA	1
20.2	No	700269	Hose Insulation 2.00 X 30.00	1	EA	1
4.4	No	720172	Pump 7gpm A Mount Parker P315 326-9110-116 Rear Port S16mb P12mb	1	EA	1
4.3	No	720173	Pump 9gpm A Mount Parker P315 326-9110-214 Rear Port S16mb P12mb	1	EA	1
4.2	No	720174	Pump 12gpm A Mount Parker P315 326-9110-215 Rear Port S20mb P16mb	1	EA	1
4.1	No	720175	Pump 17gpm A Mount Parker P315 326-9110-216 Rear Port S20mb P16mb	1	EA	1
5.2	No	740144	Clutch Assy 6 Groove A Mount Tapered 6" Warner 1417-11 12VDC	1	EA	1
5.1	No	742016	Clutch Assy 6 Groove A Mount Tapered 6" Ogura MA-MG01-1V MAE-MG129 12VDC	1	EA	1
4.5	No	720170	Pump 5gpm A Mount Parker P315 326-9110-115 Rear Port S16mb P12mb	1	EA	1
4.7	No	720286	Pump 9gpm A Mount Parker P415 326-9110-214 Rear Port S16mb P12mb High Pressure	1	EA	1
4.6	No	720288	Pump 12gpm A Mount Parker P415 326-9110-215HP Rear Port S20mb P16mb High Pressure	1	EA	1

Item	Assembly	Part Number	Description	Quantity	UOM	Order Multiple
4.8	No	720302	Pump 7gpm A Mount Parker P415 326-9110-116 Rear Port S16mb P12mb High Pressure	1	EA	1
1	No	711399	Pump Mount Bracket	1	EA	1
2	No	740350	Idler Assy	1	EA	1
3	No	710936	Pump Mount Plate	1	EA	1
6	No	110465	Bolt 3/8-16 X 1.25 SHCS Plain	1	EA	1
8	No	110217	Bolt M10-1.5 X 70 HHCS Gr 10.9 Zinc	1	EA	1
11	No	110425	Bolt 3/8-16 X 1.25 HHCS Gr 5 Zinc	1	EA	1
12	No	110676	Washer 3/8" Flat Zinc	1	EA	1
18	No	740456	Serpentine Belt 6 Rib 132.5"	1	EA	1