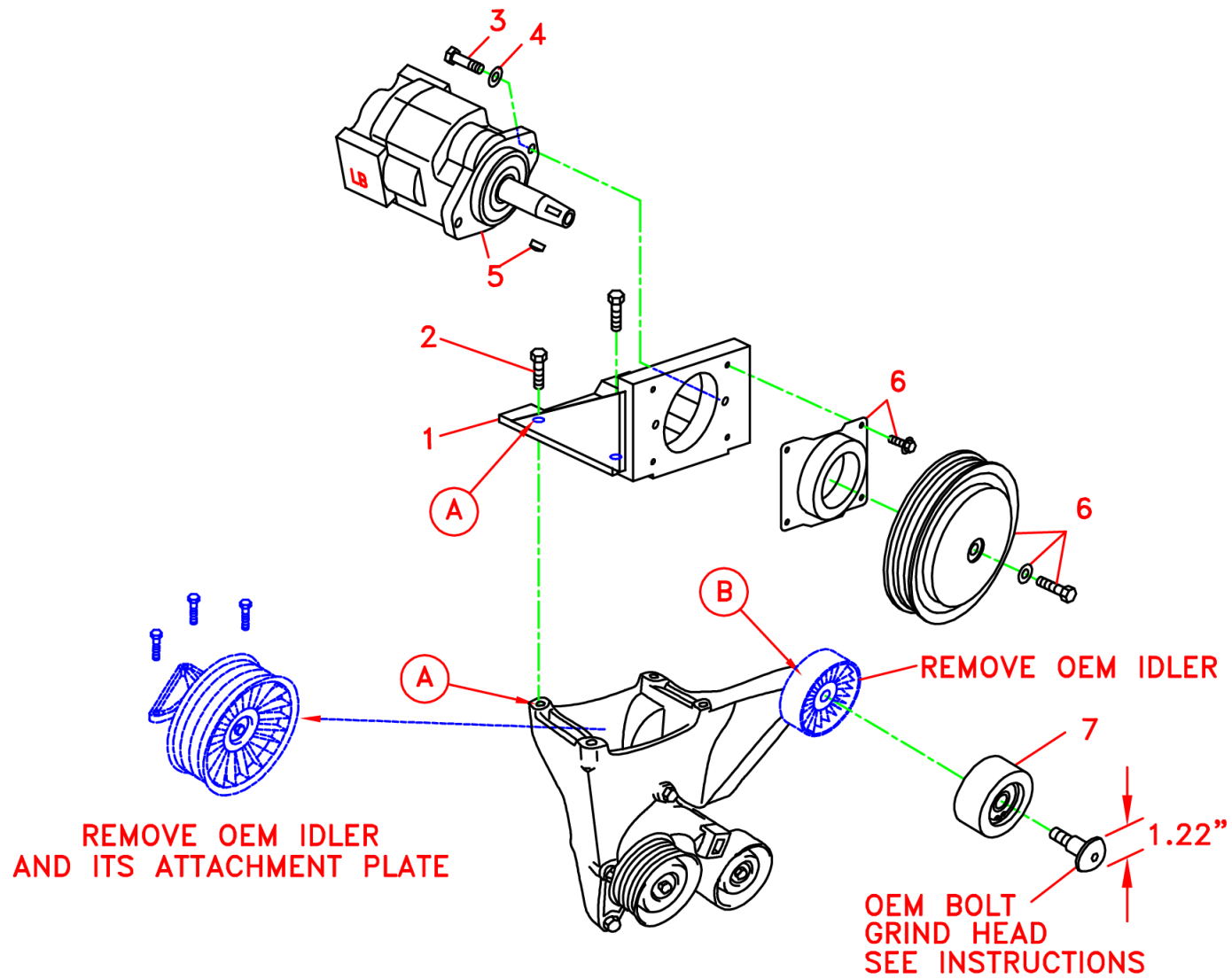


**///HARPER** INDUSTRIES, INC.

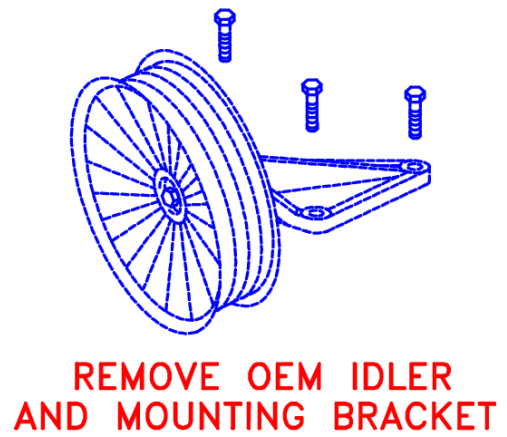
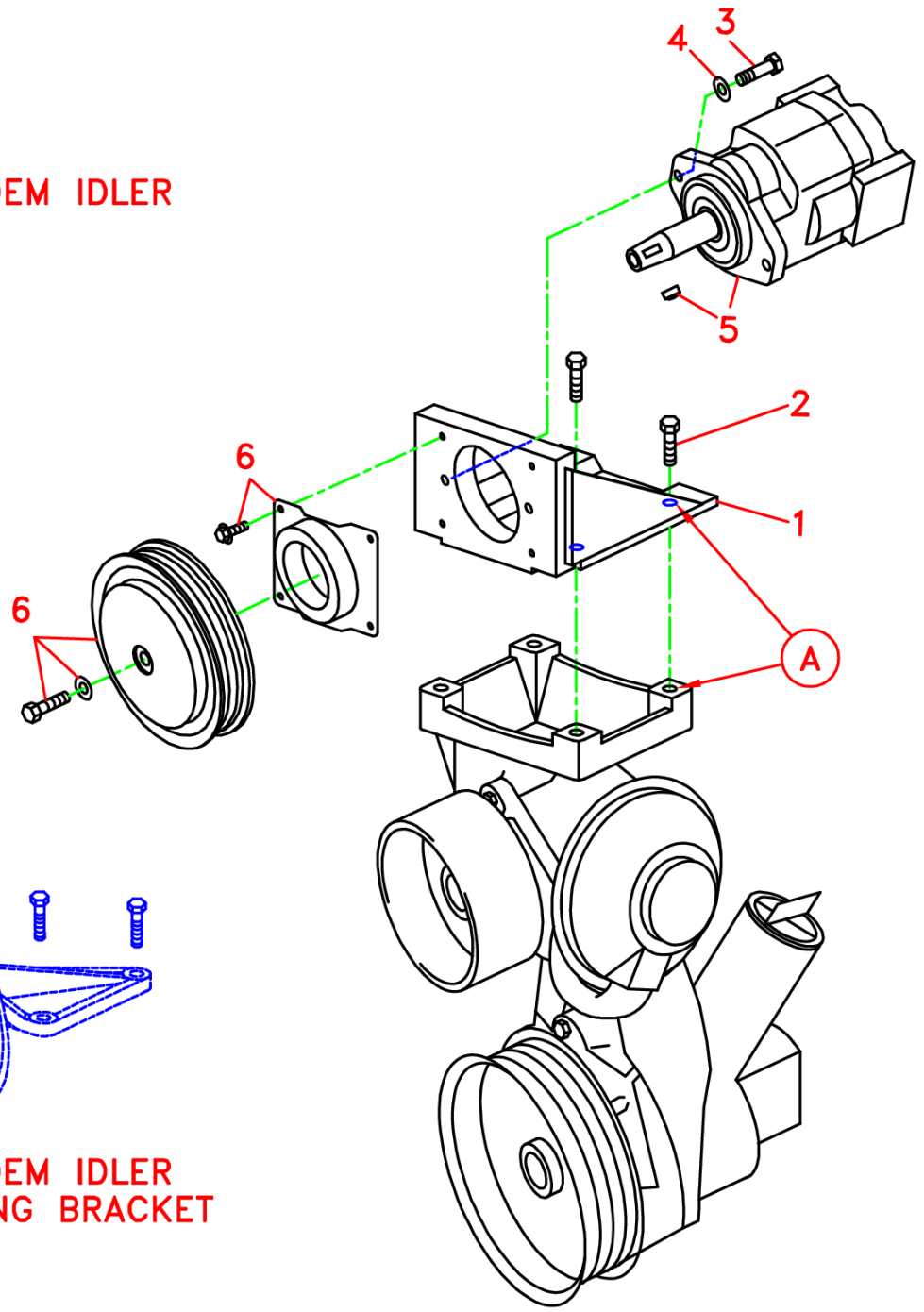
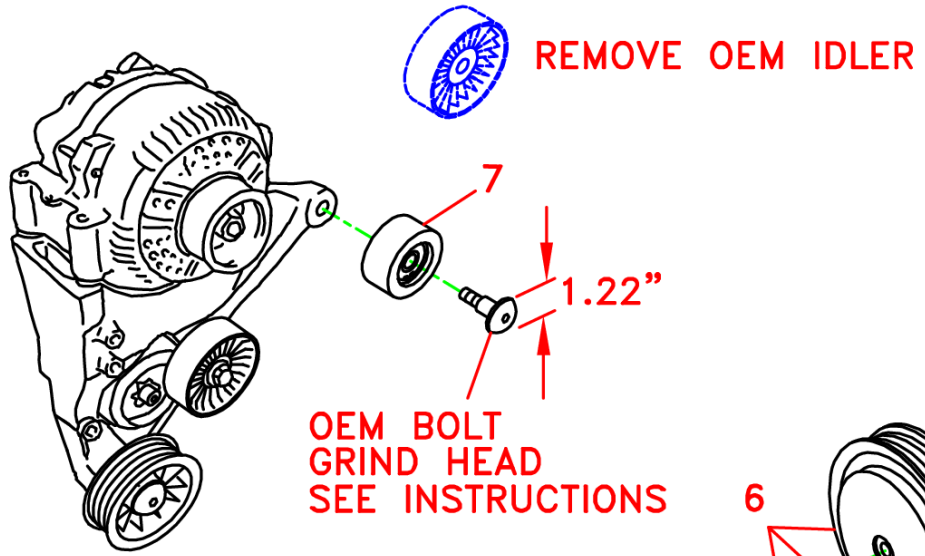
**700325**

**Images and 2D Drawings**





(A),(B),(C)... Denotes bolt holes in engine to locate corresponding holes in Pump Brkt.



Assembly Details:

Assembly Number: '700325'

Assembly Description: Clutch Pump Kit

Item	Assembly	Part Number	Description	Quantity	UOM	Order Multiple
5.4	No	720172	Pump 7gpm A Mount Parker P315 326-9110-116 Rear Port S16mb P12mb	1	EA	1
5.3	No	720173	Pump 9gpm A Mount Parker P315 326-9110-214 Rear Port S16mb P12mb	1	EA	1
5.2	No	720174	Pump 12gpm A Mount Parker P315 326-9110-215 Rear Port S20mb P16mb	1	EA	1
5.1	No	720175	Pump 17gpm A Mount Parker P315 326-9110-216 Rear Port S20mb P16mb	1	EA	1
6.2	No	740148	Clutch Assy 8 Groove A Mount Tapered 6" Warner 1417-42 12VDC	1	EA	1
6.1	No	742009	Clutch Assy 8 Groove A Mount Tapered 6" Ogura MA-MG02-DE 12VDC	1	EA	1
5.5	No	720170	Pump 5gpm A Mount Parker P315 326-9110-115 Rear Port S16mb P12mb	1	EA	1
5.7	No	720286	Pump 9gpm A Mount Parker P415 326-9110-214 Rear Port S16mb P12mb High Pressure	1	EA	1
5.6	No	720288	Pump 12gpm A Mount Parker P415 326-9110-215HP Rear Port S20mb P16mb High Pressure	1	EA	1
5.8	No	720302	Pump 7gpm A Mount Parker P415 326-9110-116 Rear Port S16mb P12mb High Pressure	1	EA	1
1	No	710082	Pump Plate Assy	1	EA	1
2	No	110486	Bolt M8-1.25 X 30 HHCS 10.9 Zinc	1	EA	1
3	No	110425	Bolt 3/8-16 X 1.25 HHCS Gr 5 Zinc	1	EA	1

Item	Assembly	Part Number	Description	Quantity	UOM	Order Multiple
4	No	110672	Washer 3/8" Lock	1	EA	1
7	No	740249	Idler Assy	1	EA	1