

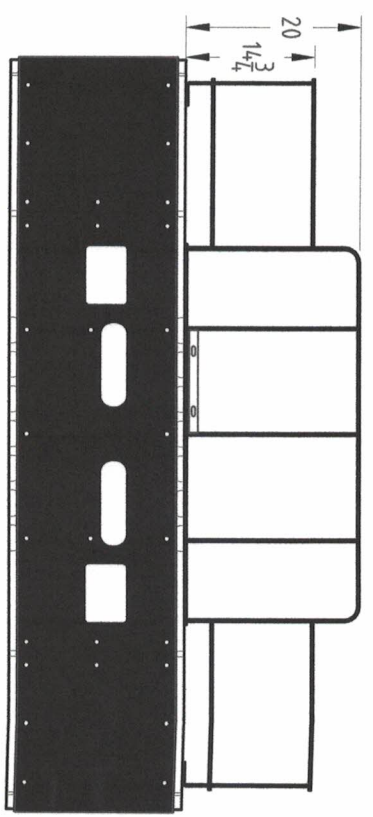
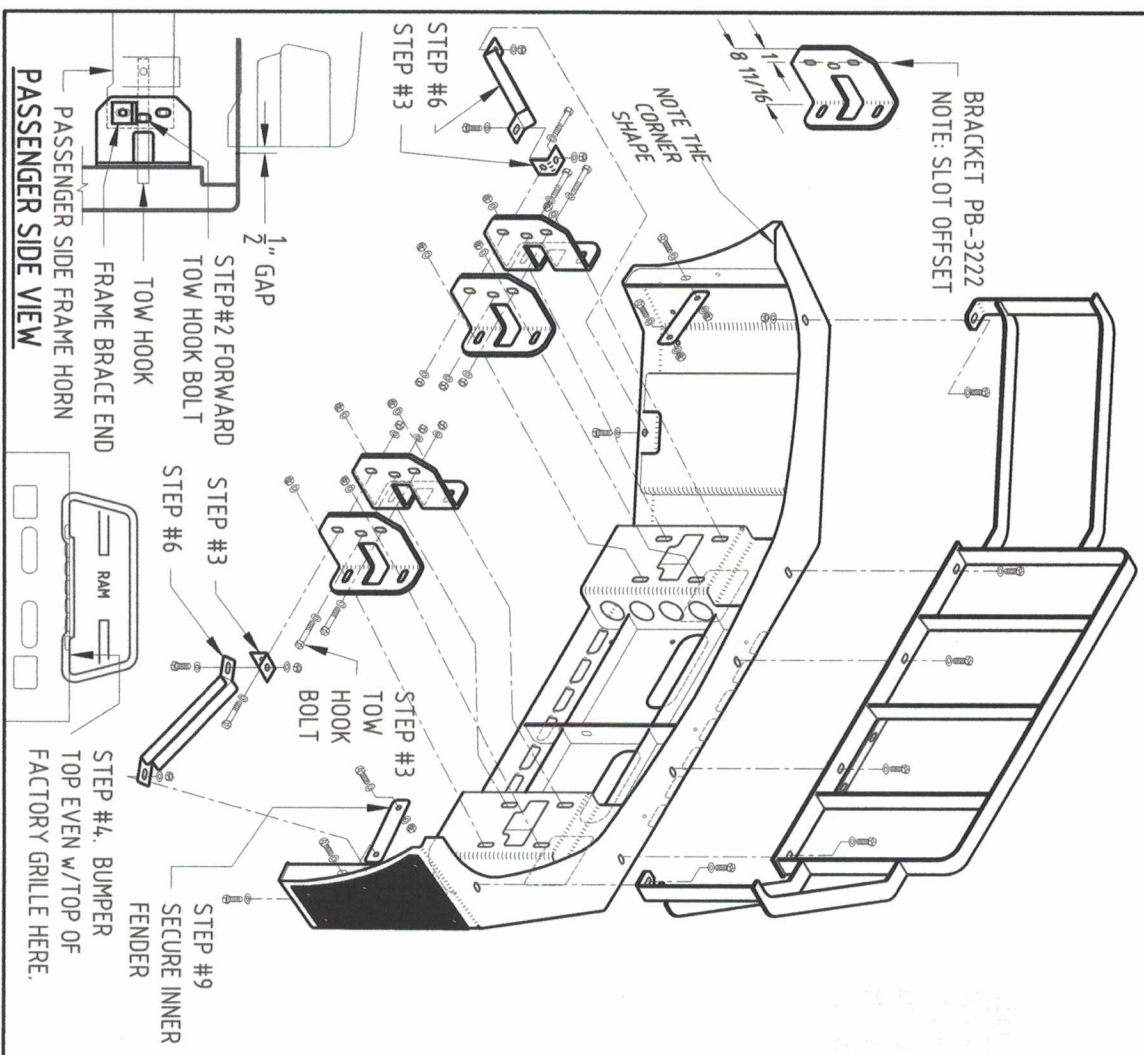
# DIVERSIFIED PRODUCTS MFG.

8350 Atlantic Blvd., Jacksonville, FL 32211  
 Sales@Pushbumper.com (904)724-0310

SHEET #  
 1 OF 1

## PB-3210 PUSHBUMPER

PART #	SUGGESTED APPLICATION	WEIGHT	BUMPER SIZE
PB-3210-1	SOME 2019, 2020+ RAM 4500/5500 2x4 & 4x4	330	86 1/2 x 20
PB-3210-1C	SOME 2019, 2020+ RAM 4500/5500 2x4 & 4x4 w/GRILLE	370	86 1/2 x 20



### INSTALLATION PROCEDURE:

1. Remove factory bumper and brackets. Leave only frame horns & tow hooks.
2. Remove the forward bolt from the factory tow hooks.
3. Bolt new bumper brackets to each side of trucks frame horns using bolt holes above and below the forward tow hook bolt hole. Position brackets with bolts in the middle of the slots to start. Install frame brace end at bolt hole below the tow hook bolt hole as shown in illustration. Snug but do not tighten bolts now.
4. Position the bumper top even with top of dip in grille surround as noted in illustration below. Allow 1/2" gap from face of grille to back of bumper top.
5. Loosely bolt bumper brackets to bumper.
6. Loosely bolt on side frame braces to hole in the bottom lip of the pushbumper. Attach other end to the frame brace end installed earlier at step #3.
7. Align bumper for proper fit and securely tighten frame to bumper bracket bolts before tightening the remaining bolts.
8. Shimming may be required to align bumper due to truck body and frame tolerances.
9. Press wheel well liner tight here and drill  $\phi 1/2$ " hole to match. Tighten bolts securely.

### IMPORTANT NOTE:

Use CAUTION on Air Bag equipped vehicles. Avoid impact which could activate the air bag sensor while pushing.