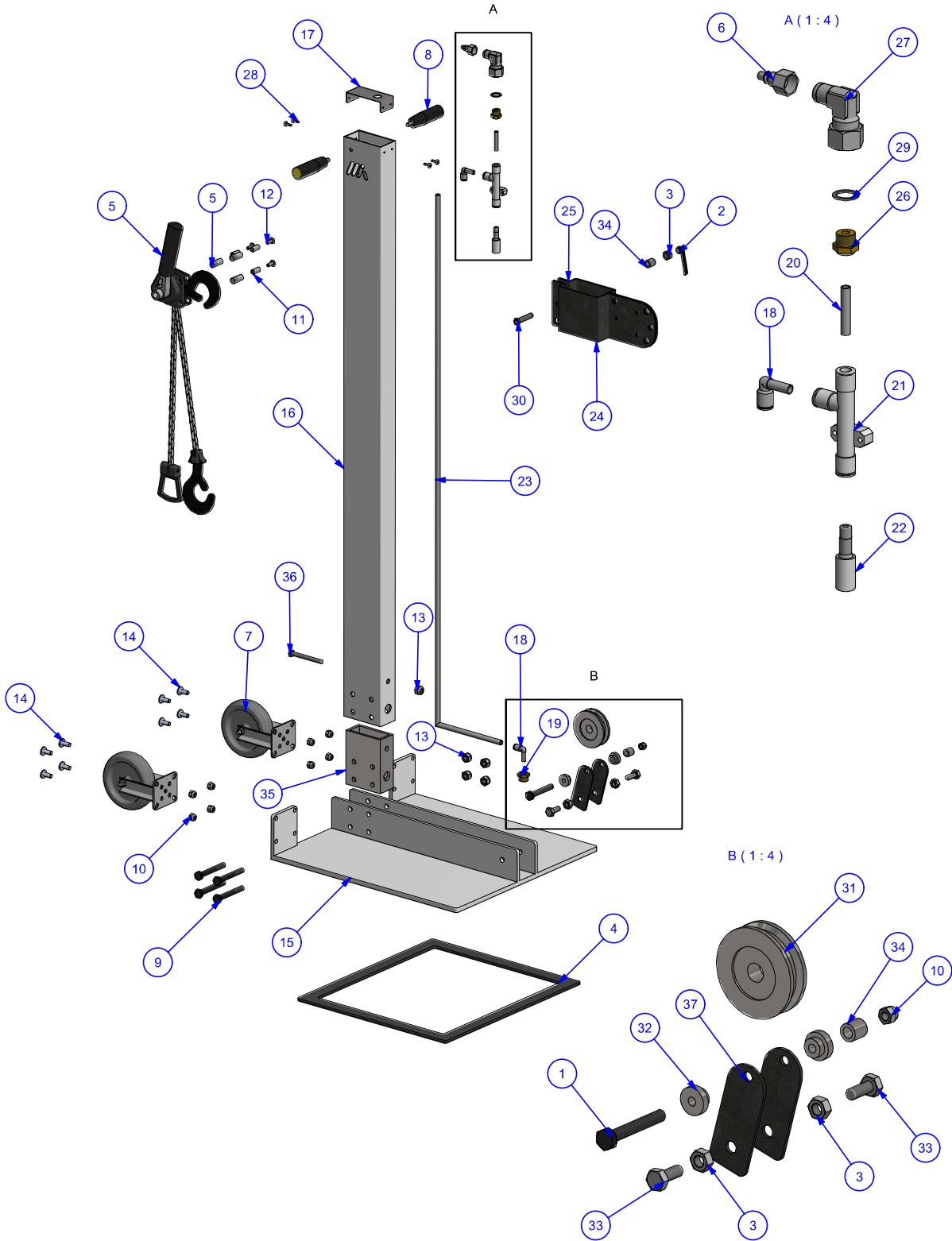


8 – SPARE PARTS



EQUIPOS Y ACCESORIOS PARA TALLERES

Manual de uso y
mantenimiento

SP706339
FAST PULLER



No.	Code	Quantity	Description
1	FL01P003	1	ZINC PLATED HEXAGON SOCKET HEAD CAP SCREW DIN 933 M8X60
2	FL01P039	1	FEMALE NYLON PRESSURE PULLER M10
3	FL01P040	3	3 TOOTHED LOCKING FLANGE NUT ZINC DIN6923 M8
4	SP551902	1	RUBBER FLOORING
5	SP706334	1	PRECISION PULLER KIT FOR MINI-PULL PRO
6	ZZL005P54	1	3/8" QUICK PLUG
7	ZZL005P58	2	WHEELS FOR "L" PULLING
8	ZZL005P59	2	FIXED HANDLE M8X10
9	ZZL006P71	4	QUALITY SCREW 12-9 M M10x80
10	ZZL006P73	9	LOCKING NUT DIN 985 M-8 ZINC PLATED
11	ZZL006P77	3	ROUND METAL ROD UNION SLEEVE M6x20
12	ZZL006P78	3	SCREW 6X16 mm (washer)
13	ZZL006P80	5	LOCKING NUT M10 ZINC PLATED C.8
14	ZZL008P74	8	ALLEN SCREW 7380-2 (washer) 8X20 ZINC PLATED
15	ZZL08P02A	1	BASE
16	ZZL08P22E / ZZL08P102C	1	ALUMINIUM PIPE 100X50X3 (1300 mm / 1700 mm)
17	ZZL08P26B	1	TUBE COVER
18	ZZL08P94A	2	D10 PIPE-PLUG ELBOW CONNECTOR
19	ZZL08P96A	1	HEXAGONAL CONNECTOR STRAIGHT D10 Rc 1/2
20	ZZL08P97A	1	D8 CONNECTOR
21	ZZL08P98A	1	VACUUM EJECTOR D8-D10-D10
22	ZZL08P99A	1	MUFFLER FOR D10 TUBE
23	ZZL08P100A	1	POLYURETHANE TUBE D10 GREY X METRE
24	ZZL08P104F	1	SUPPORT KIT RIGHT PULLING RACK
25	ZZL08P105G	1	SUPPORT KIT LEFT PULLING RACK
26	ZZL09P106	1	D8 M 3/8" MALE CONNECTOR
27	ZZL09P107	1	ELBOW M 3/8" F-M
28	ZZL09P108	4	DRILL TIP SCREW 3,5 x 9,5
29	ZZL09P111	1	D17 WASHER
30	ZZL10P115	1	ZINC PLATED HEXAGON SOCKET HEAD CAP SCREW DIN933 M10X45
31	ZZL10P109	1	FAST PULLER POLE (80X20)
32	ZZL10P112	2	FAST PULLER PULLEY INNER BUSHING (2 PARTS)
33	ZZL10P113	2	HEXAGONAL SCREW ZINC PLATED WITH WASHER DIN6921 M10X20 ALL THREADED
34	ZZL10P114	2	SPACER SLEEVE DINT10XDEXT16X16H
35	ZZL10P117	1	INNER TUBE REINFORCEMENT SLEEVE
36	ZZL10P118	1	HEXAGONAL SCREW DIN933 M10X110 ZINC PLATED
37	ZZR01P03A	2	PULLEY SUPPORT PLATE