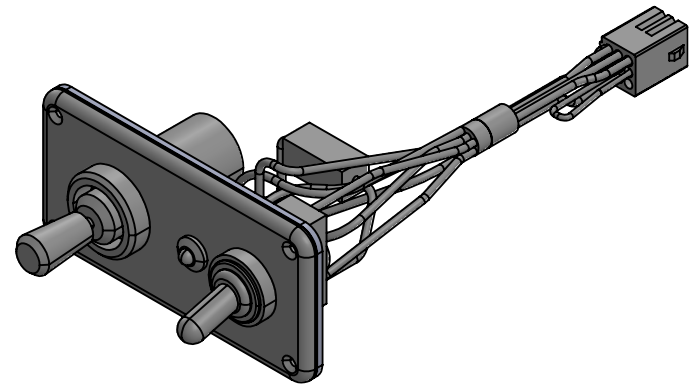
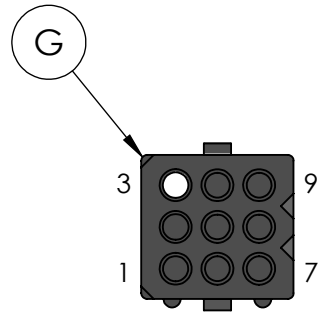
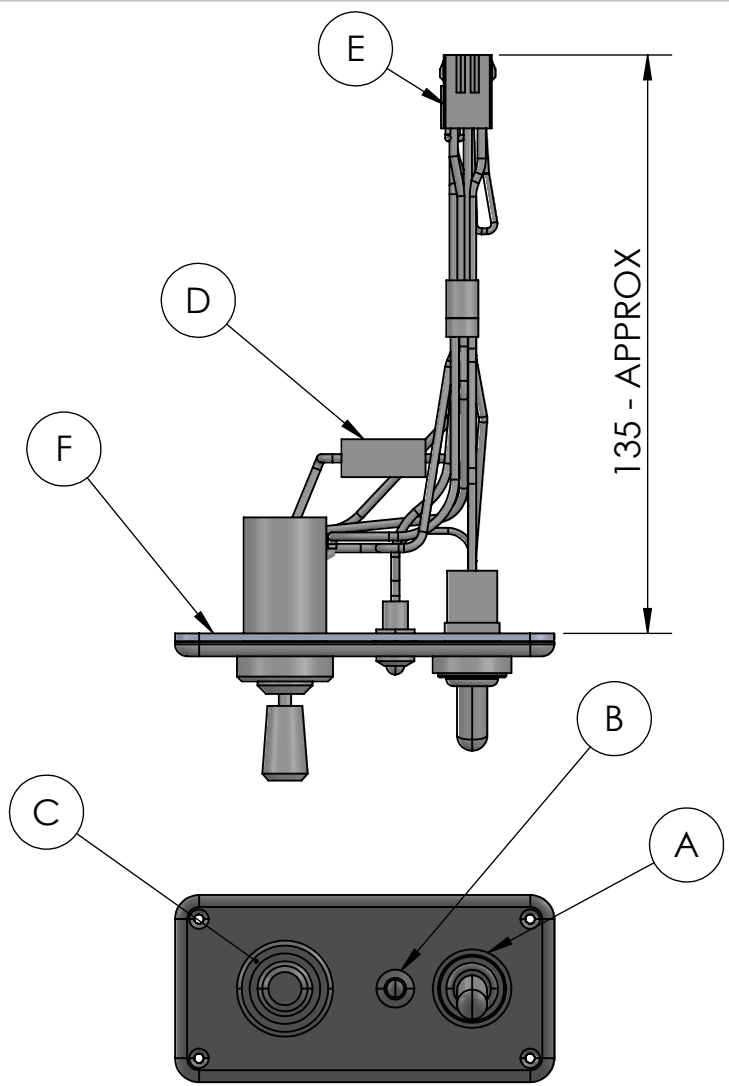


2

1

B

B



PIN NO.	COLOR	SIZE	FUNCTION
1	BLACK	18 AWG	+ BATTERY
2	BLACK	18 AWG	- CHASSIS GROUND
3	OPEN		
4	RED	18 AWG	+ LIGHT BULB
5	WHITE	18 AWG	- VERTICAL MOTOR
6	WHITE	22 AWG	- HORIZONTAL MOTOR (JUMPER TO PIN #5)
7	BLACK	18 AWG	- LIGHT BULB
	BLACK	22 AWG	JUMPER TO PIN #2
8	GREEN	18 AWG	+ HORIZONTAL MOTOR
9	YELLOW	18 AWG	+ VERTICAL MOTOR

A

A

ITEM	DESCRIPTION	QTY
G	2020-2531 TERMINAL SOCKETS	8
F	GASKET - 2 MM THICK	1
E	2020-2502 MALE PLUG - 9 PIN	1
D	BLOCK RESISTOR - 45 OHM	1
C	DIRECTIONAL CONTROL - 4-WAY	1
B	INDICATOR LIGHT - LED	1
A	TOGGLE SWITCH - SPST	1



**PROPRIETARY AND CONFIDENTIAL**  
 THE INFORMATION CONTAINED IN THIS DRAWING IS THE SOLE PROPERTY OF GOLIGHT, INC. ANY REPRODUCTION IN PART OR AS A WHOLE WITHOUT THE WRITTEN PERMISSION OF GOLIGHT, INC IS PROHIBITED.

GOLIGHT, INC  
 37146 OLD HWY 17  
 CULBERTSON, NE 69024  
 800.557.0098  
 www.golight.com

UNLESS OTHERWISE SPECIFIED:  
 DIMENSIONS ARE IN MM  
 TOLERANCES:  
 FRACTIONAL ±  
 ANGULAR: MACH ± BEND ±  
 TWO PLACE DECIMAL ±  
 THREE PLACE DECIMAL ±

DRAWN	NAME	DATE
B R BAIR		2/7/2017
CHECKED	C D HOSICK	2/7/2017

DO NOT SCALE DRAWING

PART NUMBER: 2020-D

TITLE:  
**ASSY - REMOTE -  
 HARDWIRED DASH -  
 GOLIGHT**

SIZE	DWG. NO.	REV
<b>A</b>	10044	NONE
SCALE: NONE	SHEET 1 OF 1	

2

1