

FF9000HD**FORD**
Front suspension package
Ensemble pour suspension avant
Ensemble para suspensión de delantero
INSTALLATION INSTRUCTIONS

- Raise vehicle allowing the axle to hang freely.
- Position Timbren bracket on frame centered over leaf spring or axle & drill 3 holes (17/32"OD) using frame bracket as a template.
- Assemble Aeon rubber spring and bracket as shown in the adjacent diagram.
- Mount Timbren assembly using Timbren supplied fasteners.
- Lower vehicle.

NOTES:

Use rubber washer #4 and bolt #2 to achieve desired ride height.

INSTRUCTIONS DE MONTAGE

- Soulever le véhicule de sorte que l'essieu soit dégagé.
- Placer le support Timbren sur le cadre centré sur le ressort à lames ou l'essieu et percer 3 trous (17/32 po de diamètre extérieur) en utilisant le support du cadre comme gabarit.
- Assembler le ressort en caoutchouc Aeon et le support comme il est indiqué dans le schéma adjacent.
- Monter l'assemblage Timbren en utilisant la boulonnerie fournie avec l'assemblage Timbren.
- Redescendre le véhicule.

REMARQUES:

Utiliser la rondelle en caoutchouc no 4 et fixer à l'aide de boulons la rondelle en caoutchouc no 2 pour obtenir le niveau du véhicule désiré.

INSTRUCCIONES DE INSTALACIÓN

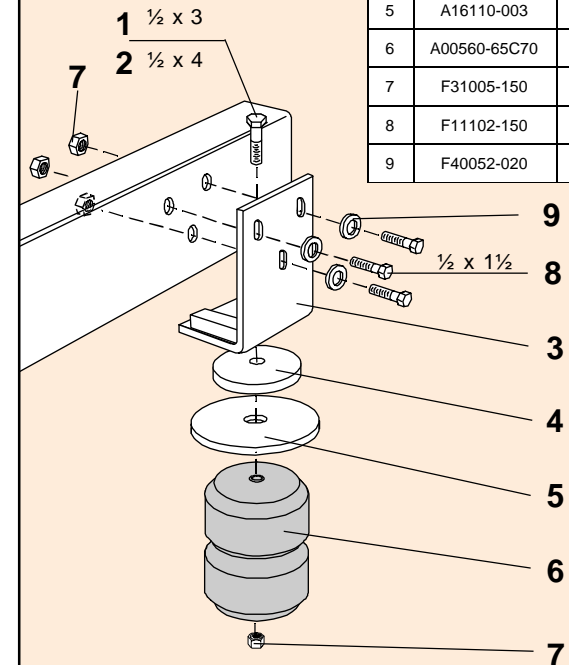
- Levante el vehículo dejando que los ejes cuelguen libremente.
- Coloque en posición la abrazadera Timbren en el chasis centrada sobre el resorte de ballesta o el eje y perfore 3 orificios (17/32"Diámetro externo) utilizando la abrazadera como plantilla.
- Ensamble el resorte de caucho Aeon y la abrazadera como se muestra en el diagrama adyacente.
- Monte la unidad Timbren utilizando los elementos de sujeción Timbren provistos.
- Baje el vehículo.

NOTAS:

Use arandela de caucho #4 y perno #2 para lograr el nivel deseado del vehículo.

Ref. = Reference = No. de référence = Núm. de referencia
Part = Part #. = No. de pièce = Núm. de pieza
Qty. = Quantity = Quantité = Cantidad

Ref	Part	Qty
1	F11108-150	2
2	F11112-150	2
3	K10074-003	2
4	A25725-90AD00	2
5	A16110-003	2
6	A00560-65C70	2
7	F31005-150	8
8	F11102-150	6
9	F40052-020	6



Do not exceed vehicle manufacturer's recommended axle weight rating. Check for AEON® interference with vehicle components - Under load AEON® will "expand" in diameter.

Ne pas dépasser le poids nominal sur l'essieu recommandé par le fabricant du véhicule. Vérifier que le ressort AEON® n'a pas d'incidence sur d'autres pièces du véhicule - Le ressort AEON® augmentera son diamètre avec la charge.

No exceda la carga nominal en el eje recomendada por el fabricante del vehículo. Compruebe que no haya interferencia entre el resorte AEON® y los otros componentes del vehículo. Bajo carga, el resorte AEON® se ampliará en diámetro.

FF9000HD



FF9000HD

TIMBREN INDUSTRIES INC.

www.timbren.com

PART NUMBER	DESCRIPTION	QTY	LOCATION
F31005-150	NYLOCK LOCKNUT 1/2 UNF GR 5 Z	8	G1D
F40052-020	WASHER FLAT USS 1/2 x 1-3/8 GR 2 Z	6	G1D
F11102-150	HCS 1/2 x 1-1/2 UNF GR 5 Z	6	G1D
F11108-150	HCS 1/2 x 3 UNF GR 5 Z	2	G2A
F11112-150	HCS 1/2 x 4 UNF GR 5 Z	2	G2A

A00560-65C70	Hollow Rubber Spring	2	C12B
A25725-90AD00 ***	RUB. SPACER 4-1/2" od x 1" thk w/ AD Bushing	2	

K10074-003	FRAME BRACKET (PAINTED)	2	E1B
A16110-003	DISC 6 OD x 17/32 ID x 3/8 THK PAINTED	2	D20A

B90223	10-3/4 x 9-1/2 x 7 DW Carton	1	A1A
B10100	NEWSPRINT 18" ROLL	1	
B00029-010	BARCODE LABEL FOR KIT	1	

Issued: 12/22/2009

Clearance Instructions:

Rear SES Kits for Pick-Ups and Vans should have a 1/2" to 1-1/2" gap between the rubber spring and contact point when empty.

A partial load, or vehicle accessories will reduce or eliminate the gap.

Front SES kits are usually in full contact.

Medium and Heavy-Duty Trucks, Trailers and Motorhomes will be in constant contact, and have no gap.

Lifetime Warranty:

Timbren SES Kits are warranted against defects in material and workmanship, under normal use and service, for the life of the vehicle on which the kit was originally installed. The warranty is not transferable and proof of purchase is required. The warranty is limited to the replacement of the failed part.

TIMBREN will not be responsible for any labour or freight charges involved in the replacement of any product. TIMBREN shall be entitled to make its own inspection to determine the validity of the claim. TIMBREN shall not be liable nor warranty the product in the event of alteration, misuse, overload, negligence or damage caused by others.

If ride or performance of our product is unsatisfactory in any way, please call: 1-800-263-3113 or email sales@timbren.com

ASSEMBLY NOTES:

*** USE 2- A25724-90 SPACERS
WITH 'AD' BUSHINGS INSTALLED.