



ECCO[®]

Installation and Operation Instructions 3900 Series Directional LEDs

IMPORTANT! Read all instructions before installing and using. Installer: This manual must be delivered to the end user.



WARNING!

Failure to install or use this product according to manufacturer's recommendations may result in property damage, serious bodily/personal injury, and/or death to you and those you are seeking to protect!



Do not install and/or operate this safety product unless you have read and understand the safety information contained in this manual.

1. Proper installation combined with operator training in the use, care, and maintenance of emergency warning devices are essential to ensure the safety of you and those you are seeking to protect.
2. Exercise caution when working with live electrical connections.
3. This product must be properly grounded. Inadequate grounding and/or shorting of electrical connections can cause high current arcing, which can cause personal injury and/or severe vehicle damage, including fire.
4. Proper placement and installation are vital to the performance of this warning device. Install this product so that output performance of the system is maximized and the controls are placed within convenient reach of the operator so that s/he can operate the system without losing eye contact with the roadway.
5. It is the responsibility of the vehicle operator to ensure during use that all features of this product work correctly. In use, the vehicle operator should ensure the projection of the warning signal is not blocked by vehicle components (i.e., open trunks or compartment doors), people, vehicles, or other obstructions.
6. The use of this or any other warning device does not ensure all drivers can or will observe or react to a warning signal. Never take the right-of-way for granted. It is your responsibility to be sure you can proceed safely before entering an intersection, driving against traffic, responding at a high rate of speed, or walking on or around traffic lanes.
7. This equipment is intended for use by authorized personnel only. The user is responsible for understanding and obeying all laws regarding warning signal devices. Therefore, the user should check all applicable city, state, and federal laws and regulations. The manufacturer assumes no liability for any loss resulting from the use of this warning device.

Specifications:

Product:	3910X	3911X	3920X	3930X	3931X	3932X
Height: (in.)	3.2	2.3	3.3	1.9	3.1	1.5
Width: (in.)	4.6	6.4	7.5	3.8	4.2	5.1
Depth: (in.)	0.3	0.3	1.0	0.3	0.3	0.3
Weight: (lbs.)	0.2	0.2	0.5	0.2	0.2	0.1
Input Voltage: (VDC)	12					
Current Draw at 12.8 VDC: (A Max.)	0.8	0.8	0.8	0.5	0.8	0.5
Flash Rate:	See Flash Pattern Charts					
Temperature Range:	-22°F to 122°F (-30°C to 50°C)					

Installation & Mounting:

Carefully remove the unit from its packaging. Examine the unit for transit damage. If damage is found, return the product to your local dealer for warranty replacement. Do not use damaged or broken parts.

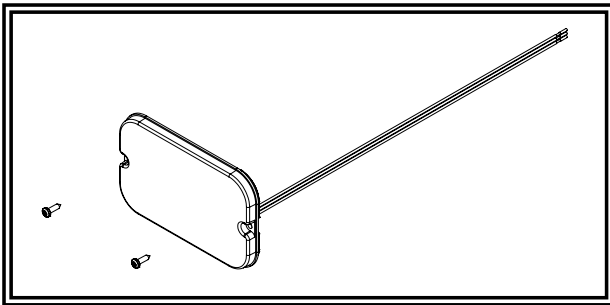
The 3900 series directionals should be mounted to a flat surface or one with the least amount of curvature. The mounting location should allow the maximum visibility of the warning device to other road users, while allowing for sufficient wire access.

Note: When mounting to thin panels, it may be necessary to seal the flange of the grommet with RTV sealant if a weather tight seal is required.

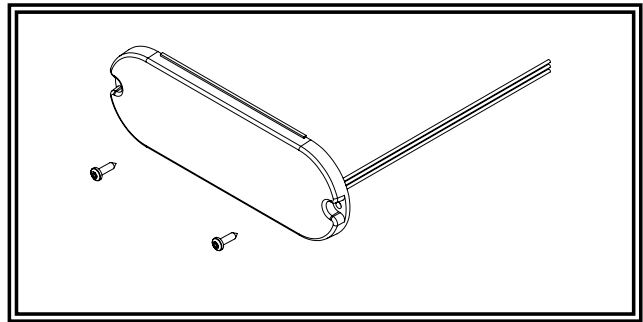
Caution: When drilling into any vehicle surface, make sure the area is free from any electrical wires, fuel lines, vehicle upholstery, etc. that could be damaged.

Surface Mounting:

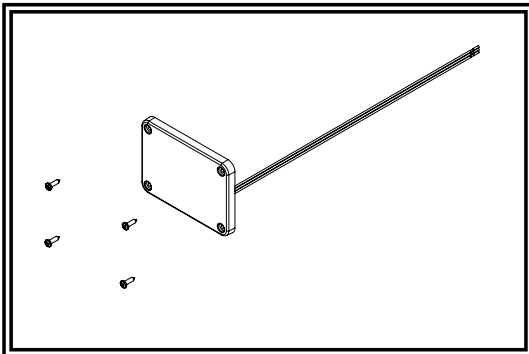
1. Use the directional as a template to mark the hole locations for the two mounting screws and the wires. Drill 7/64" pilot holes for the mounting screws and a 1/2" hole for the wires.
2. Secure the directional in place with the supplied hardware.



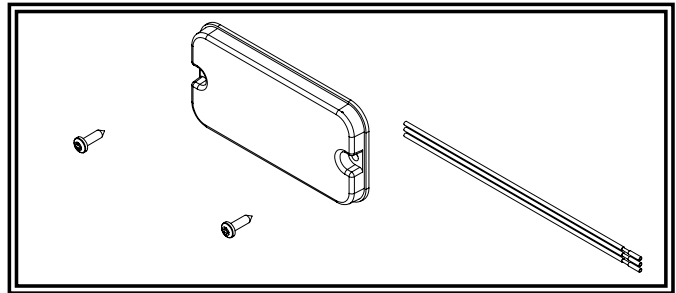
3910



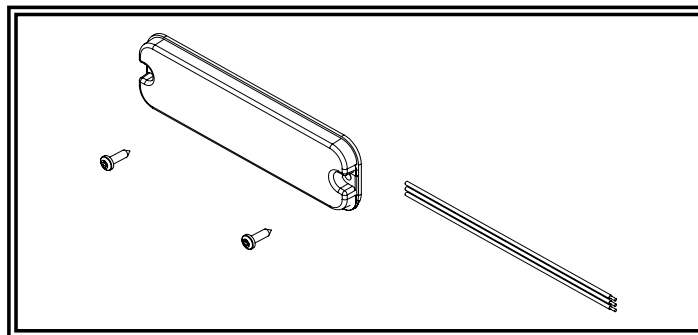
3911



3930



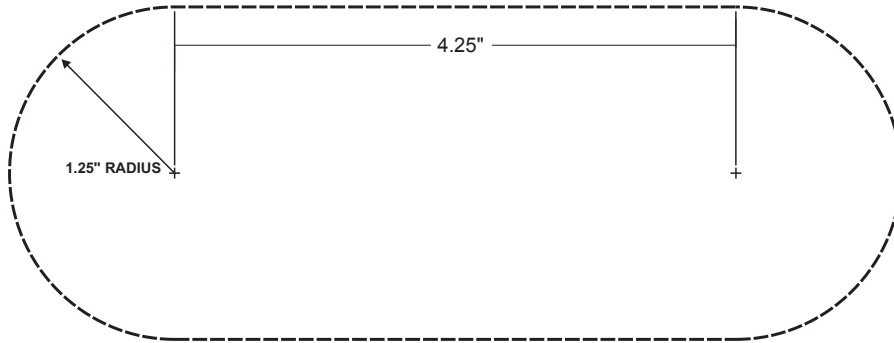
3931



3932

Grommet Mounting:

1. Using the mounting diagrams below, mark and cut the grommet holes.
2. Install the directional and grommet into the hole. Ensure the grommet is fully seated to prevent water intrusion.



3920X

Wiring Instructions:

Important! This unit is a safety device and it must be connected to its own separate, fused power point to assure its continued operation should any other electrical accessory fail.

The 3900 Series of directional LED light heads are self flashing when not in pattern 1. All wiring should be a minimum of 20 AWG. The positive line must have an in-line 2 amp slow-blow fuse for each directional as shown in Figure 1.

Light heads set to steady burn* require a separate in-line flasher (accessory option listed below) installed as shown in Figure 2.

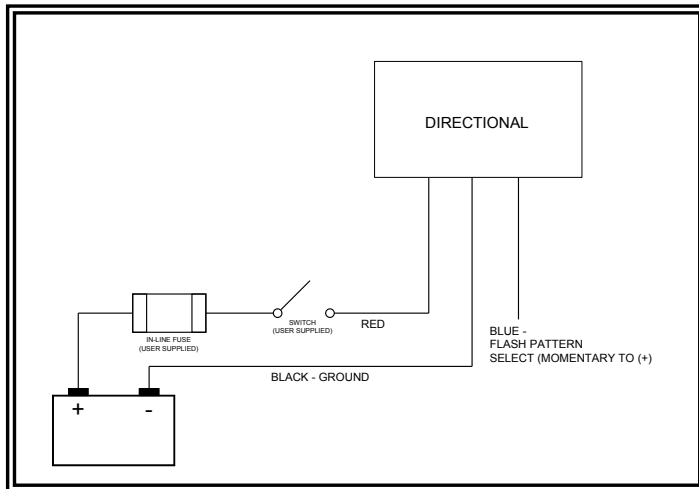


FIGURE 1

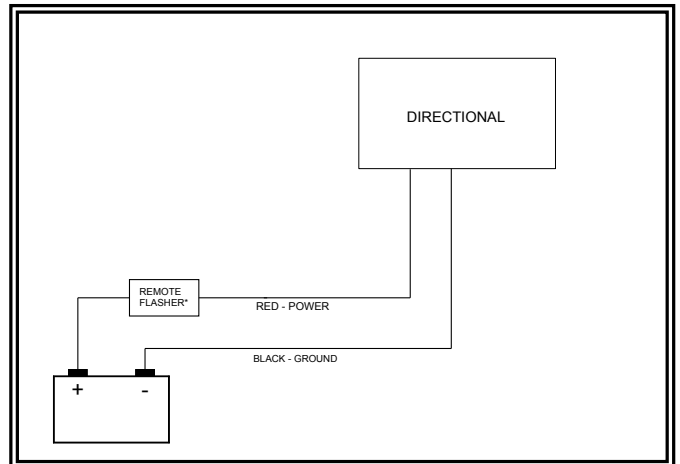


FIGURE 2

*Follow flasher installation sheet for wiring power, and on-off switch.

Flash Pattern Selection:

The 3900 series directionals can be configured to flash the following patterns (in the order below) by momentarily applying power to the blue wire. The directional must be powered through the ground and power wires to allow pattern selection.

3910X, 3911X, 3920X AND 3930X FLASH PATTERN CHART		
Pattern	Description	FPM
1	Steady On*	N/A
2	Random	N/A
3	Double Flash - Split Alternating	60
4	Quad Flash - Split Alternating	60
5	Mega Flash - Split Alternating	250
6	Phased Mega Flash - Split Alternating	N/A
7	Deciblast - Split Alternating	75
8	Double Flash	115
9	Quad Flash	130
10	Mega Flash	250
11	Phased Mega Flash	N/A
12	Deciblast	80
13	Flasher - Split Alternating	N/A
14	Flasher Sequence 1 - Split Alternating	N/A
15	Flasher Sequence 2 - Split Alternating	N/A

3931X AND 3932X FLASH PATTERN CHART		
Pattern	Flash Pattern	FPM
1	Quad Flash	75
2	Double Flash	75
3	Triple Flash	90
4	DeciBlast	85
5	Single Flash	75
6	Mega Flash	115
7	Triple Flash, Burst	85
8	Steady On*	N/A
9	Cycle Flash (All)	N/A
10	Double, Triple Flash, Burst	N/A
11	Cycle Flash (Classic)	N/A
12	Quad, Mega Flash	N/A
13	Single, Quad Flash	N/A
14	DeciBlast, Quad Flash	N/A
15	Single-Triple Flash, DeciBlast	N/A
16	Mega, Triple Flash, Burst	N/A

Replacement Parts and Accessories:

Description	Part No.
Remote Solid State Flasher	LEDFLASHER1
3911X, 3920X, A9895 Oval Grommet	R2160GO
3911X, 3920X Oval Grommet Box	A9895
3930X Black or Chrome Bezel	A3930BZB/BZC
3931X Black or Chrome Bezel	A3931BZB/BZC
3932X Black or Chrome Bezel	A3932BZB/BZC

Manufacturer Limited Warranty and Limitation of Liability:

Manufacturer warrants that on the date of purchase this product will conform to Manufacturer's specifications for this product (which are available from the Manufacturer upon request), and Manufacturer further warrants that this product is free from defects in materials and workmanship. This Limited Warranty extends for twenty-four (24) months from the date of purchase. Other warranties may apply, call Manufacturer for details. Manufacturer will, at its discretion, repair or replace any product found by the Manufacturer to be defective and subject to this Limited Warranty.

DAMAGE TO PARTS OR PRODUCTS RESULTING FROM TAMPERING, ACCIDENT, ABUSE, MISUSE, NEGLIGENCE, UNAPPROVED MODIFICATIONS, FIRE OR OTHER HAZARD; IMPROPER INSTALLATION OR OPERATION; OR NOT BEING MAINTAINED IN ACCORDANCE WITH THE MAINTENANCE PROCEDURES SET FORTH IN MANUFACTURER'S INSTALLATION AND OPERATING INSTRUCTIONS VOIDS THIS LIMITED WARRANTY.

ORAL STATEMENTS OR REPRESENTATIONS ABOUT THE PRODUCT WHICH MAY HAVE BEEN MADE BY SALESPEOPLE, DEALERS, AGENTS OR OTHER MANUFACTURER'S REPRESENTATIVES DO NOT CONSTITUTE WARRANTIES. THIS LIMITED WARRANTY MAY NOT BE AMENDED, MODIFIED, OR ENLARGED EXCEPT BY A WRITTEN AGREEMENT SIGNED BY AN AUTHORIZED OFFICIAL OF MANUFACTURER WHICH EXPRESSLY REFERS TO THIS LIMITED WARRANTY.

Exclusion of Other Warranties: MANUFACTURER MAKES NO OTHER WARRANTIES, EXPRESS OR IMPLIED. THE IMPLIED WARRANTIES FOR MERCHANTABILITY OR FITNESS FOR A PARTICULAR PURPOSE ARE HEREBY EXCLUDED AND SHALL NOT APPLY TO THE PRODUCT. BUYER'S SOLE AND EXCLUSIVE REMEDY IN CONTRACT, TORT, OR UNDER ANY OTHER THEORY AGAINST MANUFACTURER REGARDING THE PRODUCT AND ITS USE SHALL BE THE REPLACEMENT OR REPAIR OF THE PRODUCT AS DESCRIBED ABOVE.

Limitation of Liability: IN THE EVENT OF LIABILITY FOR DAMAGES ARISING OUT OF THIS LIMITED WARRANTY OR ANY OTHER CLAIM RELATED TO THE MANUFACTURER'S PRODUCTS, MANUFACTURER'S LIABILITY FOR DAMAGES SHALL BE LIMITED TO THE AMOUNT PAID FOR THE PRODUCT AT THE TIME OF THE ORIGINAL PURCHASE. IN NO EVENT SHALL MANUFACTURER BE LIABLE FOR LOST PROFITS, THE COST OF SUBSTITUTE EQUIPMENT OR LABOR, PROPERTY DAMAGE, OR OTHER SPECIAL, CONSEQUENTIAL, OR INCIDENTAL DAMAGES BASED UPON ANY CLAIM FOR BREACH OF CONTRACT, IMPROPER INSTALLATION, NEGLIGENCE, OR OTHER CLAIM, EVEN IF MANUFACTURER OR A MANUFACTURER'S REPRESENTATIVE HAS BEEN ADVISED OF THE POSSIBILITY OF SUCH DAMAGES. MANUFACTURER SHALL HAVE NO FURTHER OBLIGATION OR LIABILITY WITH RESPECT TO THE PRODUCT OR ITS SALE, OPERATION AND USE, AND MANUFACTURER NEITHER ASSUMES NOR AUTHORIZES THE ASSUMPTION OF ANY OTHER OBLIGATION OR LIABILITY IN CONNECTION WITH SUCH PRODUCT.

This Limited Warranty defines specific legal rights. You may have other legal rights, which vary from state to state. Some states do not allow the exclusion or limitation of incidental or consequential damages.



833 West Diamond St
Boise, Idaho 83705

Customer Service

USA 800-635-5900

UK +44 (0)113 237 5340

AUS +61 (0)3 63322444

www.eccoesg.com

An ECCO SAFETY GROUP™ Brand
www.eccosafetygroup.com