



BEACONS



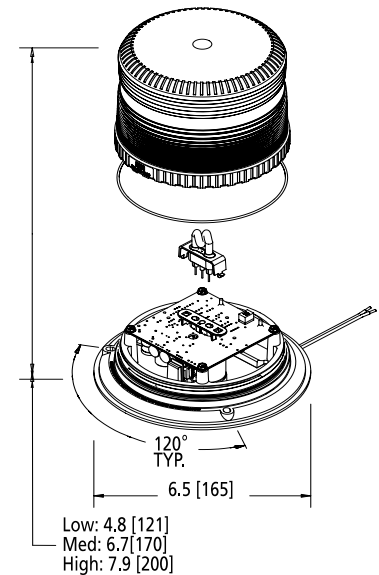
6600 SERIES

SAE Class II Strobe

6600 Series strobes feature a sturdy die-cast aluminum base and manual control of hi/lo light intensity and flash pattern selection (double or quad) via a circuit board-mounted microswitch.

Models

PART NO.	PROFILE	VOLTAGE	AMPS	FPM	MOUNT
6650A	Low	12-24	2.2	65	3 Bolt/1" Pipe
6670A	Medium	12-24	2.2	65	3 Bolt/1" Pipe
6690A	High	12-24	2.2	65	3 Bolt/1" Pipe
6650A-VM	Low	12-24	2.2	65	Vacuum-Magnet
6670A-VM	Medium	12-24	2.2	65	Vacuum-Magnet



Features and Benefits

- Die-cast aluminum base is coated against corrosion and designed for vibration resistance and heat dissipation
- Thread-on polycarbonate lens and snap-fit flashtube allows easy field service
- Shock-resistant circuit board mounting incorporates seven support points
- Circuit board is conformal-coated to prevent corrosion
- Temperature Range: -22°F to +122°F (-30°C to +50°C)
- Warranty: Strobe = 2 years, Flashtube = 6 months

Parts & Accessories

- Flashtube: R6501FT
- Lenses Low & Medium/High Profile:
 - Amber - R6050LA/R6070LA
 - Blue - R6050LB/R6070LB
 - Clear - R6050LC/R6070LC
 - Green - R6050LG/R6070LG
 - Red - R6050LR/R6070LR