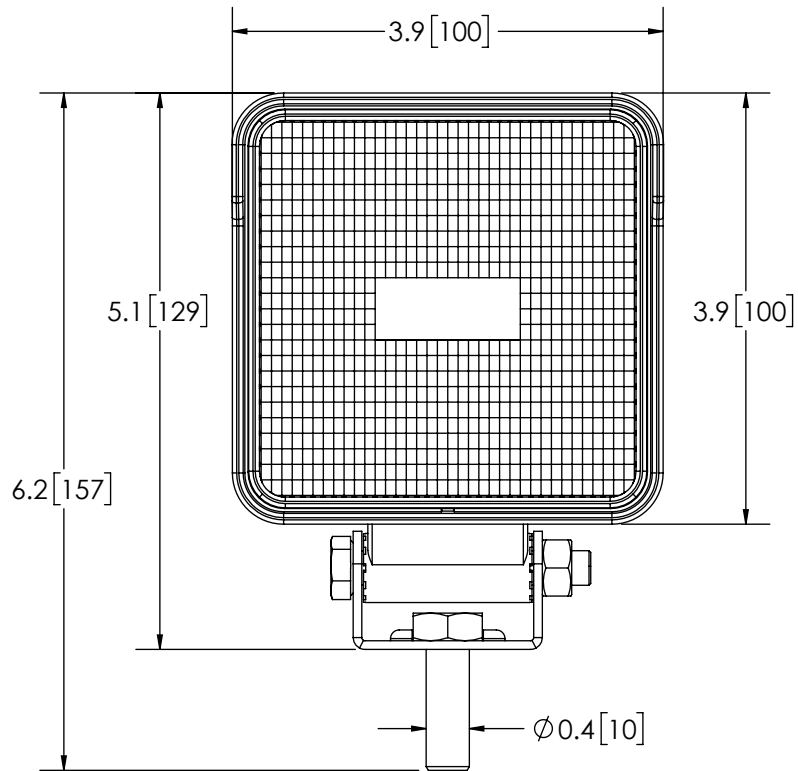
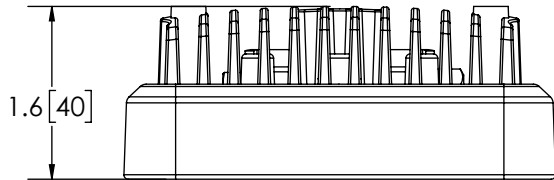



| REVISION HISTORY |                            |            |
|------------------|----------------------------|------------|
| REV.             | DESCRIPTION                | DATE       |
| 02               | REVISED PER EC3410         | 2013-08-01 |
| A                | INITIAL RELEASE PER EC3410 | 2013-08-21 |
| B                | REVISE PER EC3410          | 2016-11-11 |



## SPECIFICATIONS

- CERTIFICATIONS: **CE**;  
 Note: Unique components, accessories, and hardware kits are not typically included in the Product Certification Test Protocols. Unless otherwise Specified, the Product Certifications referred to herein are predicated upon the base product model configuration.
- RAW LUMENS: 700 lumens
- EFFECTIVE LUMENS: 660 lumens
- ILLUMINANCE: lux
- PEAK BEAM INTENSITY: 1020 Candela
- EFFICACY: 68.4 lm/W
- CORRELATED COLOR TEMPERATURE: 6869K
- VOLTAGE (NOMINAL): 12 to 24 VDC
- VOLTAGE (EXTREME): 10 to 30 VDC
- CURRENT (PEAK): 0.7A (@ 12 VDC NOMINAL)
- POWER (MAXIMUM): 9.7W (@ 12 VDC NOMINAL)
- TEMPERATURE RANGE: -22°F (-30°C) TO 122°F (50°C)
- CONNECTION: 2 CONDUCTOR CABLE
- MOUNTING: SINGLE BOLT
- HOUSING MATERIAL: ALUMINUM
- LENS MATERIAL: ACRYLIC
- PRODUCT WEIGHT: 1.5 LBS (0.68 Kg)

- NOTES:  
 1. ROHS COMPLIANT  
 2. DIMENSIONS IN INCHES [MILLIMETERS (FOR REFERENCE)]

| SCALE 1:1.75                                                                                                                                                                                                                                                     |                                          | APPROVALS                         | DATE                             |  <a href="http://www.eccolink.com">www.eccolink.com</a><br>Americas (800) 635-5900   Europe +44 (0)113 237 5340   Asia Pacific +61 (0)3 63322444 |        |                             |                                          |                                   |                |
|------------------------------------------------------------------------------------------------------------------------------------------------------------------------------------------------------------------------------------------------------------------|------------------------------------------|-----------------------------------|----------------------------------|---------------------------------------------------------------------------------------------------------------------------------------------------------------------------------------------------------------------------------------|--------|-----------------------------|------------------------------------------|-----------------------------------|----------------|
| CAD GENERATED DRAWING<br>DO NOT MANUALLY UPDATE.<br>MODEL REFERENCED:                                                                                                                                                                                            |                                          | DRAWN BY MDH                      | 2016-08-31                       |                                                                                                                                                                                                                                       |        |                             |                                          |                                   |                |
| TOLERANCES ARE IN INCHES, AND MILLIMETERS<br>TOLERANCES UNLESS OTHERWISE STATED ARE:                                                                                                                                                                             |                                          | CHECKED ABB                       | 2016-09-09                       |                                                                                                                                                                                                                                       |        |                             |                                          |                                   |                |
| <table border="1"> <tr> <th>MILLIMETERS DECIMALS</th> <th>INCHES DECIMALS</th> <th>ANGLES</th> </tr> <tr> <td>XX. ± 1.0mm<br/>XX.X ± 0.5mm</td> <td>X.X ± 0.1<br/>X.XX ± 0.04<br/>X.XXX ± 0.02</td> <td>± 0.5°<br/><br/>FRACTIONS<br/>± 1/64</td> </tr> </table> |                                          | MILLIMETERS DECIMALS              | INCHES DECIMALS                  |                                                                                                                                                                                                                                       | ANGLES | XX. ± 1.0mm<br>XX.X ± 0.5mm | X.X ± 0.1<br>X.XX ± 0.04<br>X.XXX ± 0.02 | ± 0.5°<br><br>FRACTIONS<br>± 1/64 | MECH. ENG. JLA |
| MILLIMETERS DECIMALS                                                                                                                                                                                                                                             | INCHES DECIMALS                          | ANGLES                            |                                  |                                                                                                                                                                                                                                       |        |                             |                                          |                                   |                |
| XX. ± 1.0mm<br>XX.X ± 0.5mm                                                                                                                                                                                                                                      | X.X ± 0.1<br>X.XX ± 0.04<br>X.XXX ± 0.02 | ± 0.5°<br><br>FRACTIONS<br>± 1/64 |                                  |                                                                                                                                                                                                                                       |        |                             |                                          |                                   |                |
|                                                                                                                                                                                                                                                                  |                                          | ELEC. ENG. TJT                    | 2016-08-31                       |                                                                                                                                                                                                                                       |        |                             |                                          |                                   |                |
|                                                                                                                                                                                                                                                                  |                                          | TEST ENG. JRT                     | 2016-09-07                       |                                                                                                                                                                                                                                       |        |                             |                                          |                                   |                |
|                                                                                                                                                                                                                                                                  |                                          | SALES. LAT                        | 2016-11-11                       |                                                                                                                                                                                                                                       |        |                             |                                          |                                   |                |
| CUSTOMER PART NO.<br><b>E92007</b>                                                                                                                                                                                                                               |                                          |                                   | PRODUCT SERIES:<br><b>E92007</b> |                                                                                                                                                                                                                                       |        |                             |                                          |                                   |                |
| SIZE: <b>A</b>                                                                                                                                                                                                                                                   |                                          | DWG. NO. <b>E92007</b>            |                                  |                                                                                                                                                                                                                                       |        |                             |                                          |                                   |                |
| SHEET 1 OF 1                                                                                                                                                                                                                                                     |                                          | Project: EC.4356                  | Date Created: 2013-07-25         |                                                                                                                                                                                                                                       |        |                             |                                          |                                   |                |
| Electronically Controlled Use Latest Copy                                                                                                                                                                                                                        |                                          |                                   |                                  |                                                                                                                                                                                                                                       |        |                             |                                          |                                   |                |
|                                                                                                                                                                                                                                                                  |                                          |                                   | REV. <b>B</b>                    |                                                                                                                                                                                                                                       |        |                             |                                          |                                   |                |

THIS DRAWING AND THE DESIGN IT DISCLOSES ARE THE PRIVATE PROPERTY OF ESG AND IS ISSUED IN CONFIDENCE FOR ENGINEERING INFORMATION ONLY. THE DRAWING AND / OR DESIGN MAY NOT BE USED, COPIED, REPRODUCED, OR OTHERWISE DISCLOSED IN PART OR AS A WHOLE TO OUTSIDERS OR USED FOR ANY OTHER PURPOSE WITHOUT THE PRIOR WRITTEN CONSENT OF ESG. THE DRAWING IS SUBJECT TO RECALL AT ANY TIME. YOUR POSSESSION OF THIS DOCUMENT CONSTITUTES ACCEPTANCE OF THESE TERMS. © 2013 ECCO

