



### WARNING!

Failure to install or use this product according to manufacturer's recommendations may result in property damage, serious injury, and/or death to those you are seeking to protect!



Do not install and/or operate this safety product unless you have read and understand the safety information contained in this manual.

- Proper installation combined with operator training in the use, care, and maintenance of emergency safety devices are essential to ensure the safety of you and those you are trying to protect.
- Exercise caution when working with live electrical connections.
- This product must be properly grounded. Inadequate grounding and/or shorting of electrical connections can cause high current arcing, which can cause personal injury and/or severe vehicle damage, including fire.
- Proper placement and installation are vital to the performance of this safety device. Install this product so that output performance of the system is maximized and the controls are placed within convenient reach of the operator so that s/he can operate the system without losing eye contact with the roadway.
- Do not install this product or route any wires in the deployment area of an air bag. Equipment mounted or located in an air bag deployment area may reduce the effectiveness of the air bag or become a projectile that could cause serious personal injury or death. Refer to the vehicle owner's manual for the air bag deployment area. It is the responsibility of the user/operator to determine a suitable mounting location ensuring the safety of all passengers inside the vehicle particularly avoiding areas of potential head impact.
- It is the responsibility of the vehicle operator to ensure during use that all features of this product work correctly. In use, the vehicle operator should ensure the projection of the warning signal is not blocked by vehicle components (i.e., open trunks or compartment doors), people, vehicles, or other obstructions.
- The use of this or any other safety device does not ensure all drivers can or will observe or react to a warning signal. Never take the right-of-way for granted. It is your responsibility to be sure you can proceed safely before entering an intersection, driving against traffic, responding at a high rate of speed, walking on or around traffic lanes.
- This equipment is intended for use by authorized personnel only. The user is responsible for understanding and obeying all laws regarding warning signal devices. Therefore, the user should check all applicable city, state, and federal laws and regulations. The manufacturer assumes no liability for any loss resulting from the use of this safety device.

### Specifications:

Size:	5545X, 5545XX 5550X, 5550XX 5550XXX	
	5545X-HBT, 5545XX-HBT 5550X-HBT, 5550XX-HBT 5550XXX-HBT	11" x 8" x 2.5"
	5545X-VM, 5545XX-VM 5550X-VM, 5550XX-VM 5550XXX-VM	11" x 8" x 3"

Input Voltage: 12 to 24 VDC systems

Weight:

Current Draw:

5545: 1.48 Amps Max (@ 12VDC Nominal)  
18.9 Watts Max (@ 12VDC Nominal)

5550: 4.9 Amps Max (@ 12VDC Nominal)  
62.7 Watts Max (@ 12VDC Nominal)

Flash Rate:

See Flash Pattern Chart

Temp. Range:

-22°F to +122°F

-30°C to +50°C

Mount	5545	5550
Permanent Mount	approx. 1.9 lbs	approx. 2.0 lbs
HBT Mount	approx 2.5 lbs	approx. 4.0 lbs
Vacuum-Magnet Mount	approx. 3.3 lbs	approx. 3.6 lbs

**Caution:** When drilling into any vehicle surface, make sure the area is free from any electrical wires, fuel lines, vehicle upholstery, etc. that could be damaged

### Installation & Mounting:

**Important!** This unit is a safety device, and it must be connected to its own separate, fused power point to assure its continued operation should any other electrical accessory fail.

Carefully remove the microbar and place it on a flat surface. Examine the unit for transit damage, and locate all parts. If damage is found, or parts are missing, contact the transit company or ECCO. Do not use damaged or broken parts.

### Permanent Mounting:

- Select the desired location on a flat surface for the microbar to be mounted. The visibility of the flash and ease of wiring access should be taken into consideration in the selection of the mounting location.
- Remove lens screws, then remove lens. Use the four holes in the corners of the base to mark the mounting hole locations.
- Drill the holes using a 7/32" drill size.
- A fifth hole may be drilled for wire access.
- Connect the power wires as shown in the wiring section (see Figure 6).
- Mount the microbar with M5 hardware provided.

## Vacuum-Magnet Mount:

The Vacuum-Magnet Mount feature includes a suction cup on the bottom of the microbar, with a magnet inside of the suction cup, for a secure, temporary mount. The microbar should be placed in the center of the roof where the least amount of curvature occurs. Before installing, make sure the mounting surface is clean and there is no debris on the bottom of the microbar or on the roof of the vehicle, which could reduce the holding power of the suction cup and magnet. Place and remove the microbar without sliding to avoid scratching the paint on the vehicle. After placement, the microbar should adhere firmly to the surface. If the unit slides or moves easily, a proper installation has not been obtained. To release the vacuum, lift the tab to release the airtlock (see Figure 1). To protect the Vacuum-Magnet Mount assembly, return microbar to the box when not in use. **Do not attempt to attach the microbar to an ice-covered surface.**

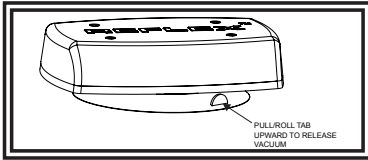


FIGURE 1



### WARNING!

Maximum recommended vehicle speed for safe operation using the Vacuum Mount model is 65 mph (104 km/h), when fitted to the center of a vehicle roof of steel construction. Higher speeds could cause the mount to fail, resulting in the microbar flying off of the vehicle, which could cause damage to other vehicles, and injury or death to the passengers. The vacuum-magnet mount is not intended as a permanent mounting for the microbar. The vacuum-magnet mount unit must be mounted on a flat smooth magnetic surface (i.e. no fiberglass, ribbed style roofs, etc.). Ensure that the magnet is kept clean.



### WARNING!

Failure to follow these instructions can result in fire or injury from excessive heat build up.

Operator is responsible for ensuring auxiliary plug fits correctly into auxiliary power plug outlet used.

For proper operation, verify auxiliary power outlet circuit is rated to supply a minimum of 10 amps. (See specifications section for rated current in amperes). Do not exceed the current rating for the auxiliary power outlet recommended by vehicle manufacturer.

Keep auxiliary plug and outlet clean and free of debris.

Do not use the auxiliary plug when wet.

Insert auxiliary plug fully into the outlet for proper connection.

Grasp auxiliary plug, NOT cord, to remove from outlet.

Remove auxiliary plug completely from outlet when light is not in use.

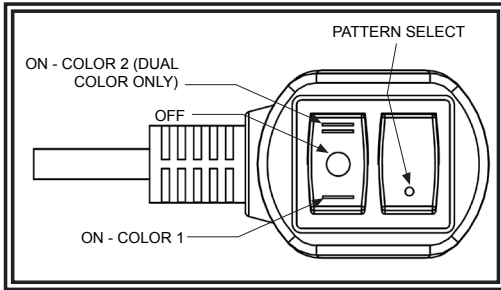


FIGURE 2

**Note:** Operating the microbar without the lens installed on this product will result in damage that will not be covered under warranty.

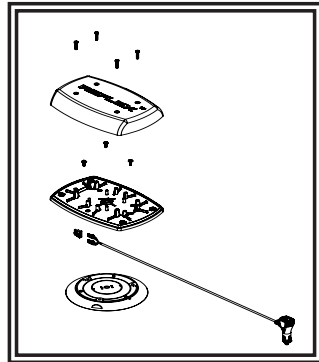


FIGURE 3

## Vacuum-Magnet Mount Installation:

1. Remove lens screws, then remove lens.
2. Unclip and remove wire harness.
3. Insert the pinned end of the cigarette adapter cable through the wire harness hole from the bottom of the base.
4. Turn pins crimp side up, and insert pins into connector as shown in Figure 4.
5. Place zip-tie 1.5" from base of the connector shown in Figure 5. Zip-tie must be not be able to slide on cord. Trim excess zip-tie.
6. Clip the connector to the PCA board and pull slack until zip-tie touches base.
7. With the cigarette plug to the left, unscrew the two modules farthest away from you and the PCA board in dual color versions, to gain access to the vacuum mounting holes.
8. Position the vacuum magnet and secure in place with included hardware.
9. Re-install the modules, PCA board and lens, reverse of removal. Slide the o-ring onto screw until it reaches head, before securing into lens.

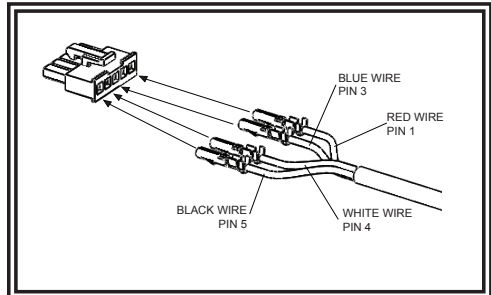


FIGURE 4

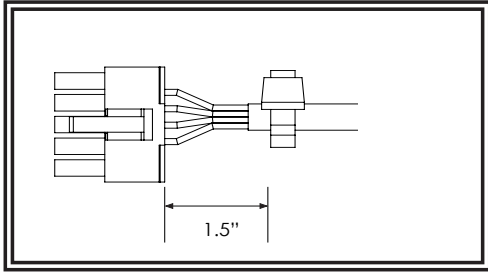


FIGURE 5

**Wiring:**

**Important!** Disable power before wiring up the microbar.

The wiring for the permanent mount microbar is as shown in Figure 6. All wiring should be a minimum of 18AWG. The positive line must have a 5 amp fuse, as shown. A switch may be used to control the on/off function.

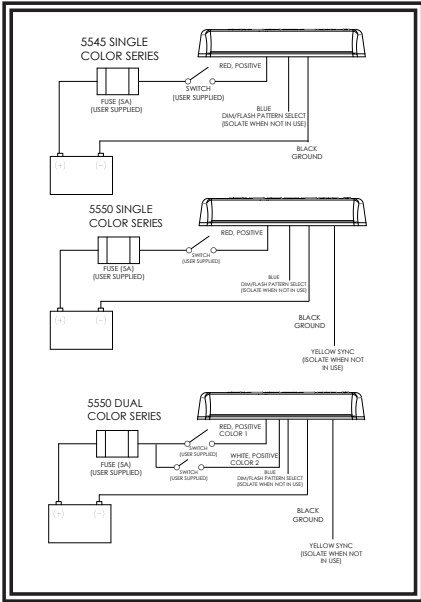


FIGURE 6

**Flash Pattern Selection:**

To select a flash pattern, apply power to the RED or WHITE or both RED and WHITE wires. (WHITE wire is for dual color only). Momentarily touch the BLUE wire to the BLACK wire (ground) for less than 1 second to advance to the next pattern. To go back to the previous pattern, momentarily touch the BLUE wire to the BLACK wire for approximately 2 - 3 seconds. To force the flash pattern to STEADY, momentarily touch the BLUE wire to the BLACK wire for approximately 5 seconds. When Vacuum-Magnet Mount is being used, the BLUE wire is connected to ground via the momentary switch on the cigarette plug as shown in FIGURE 2. For more detail about flash patterns, please see the SINGLE and DUAL COLOR FLASH PATTERN TABLES below.

**SYNCHRONIZATION:**

The permanent mount microbars sync with compatible ECCO products via the yellow wire:

1. Determine the desired style of flash pattern for each unit and set each unit individually (without the yellow wires connected together) to avoid confusion. It is also strongly recommended that the same style of flash pattern be used on all units to produce the most effective warning pattern. (NOTE: Phases A and B for each style of flash pattern in the table denote the relative timing between units connected in a synchronizing installation. To operate simultaneously, each unit must be set to the same phase (A + A or B + B); to operate alternately, units must be set to have the opposite phase (A + B or B + A)).
2. Connect the yellow sync wires together and check that the units are flashing in a synchronized manner as expected. If a pattern on one unit appears incorrect, the blue pattern select wire can be used to cycle forward or backward on that individual unit until the correct pattern is selected. Note: This will only change the pattern in the one unit and will not affect the other units connected to the yellow sync wire.
3. If the yellow wire is unused, leave unconnected and insulated.

**DIMMING FEATURE:**

To activate the dimming feature of this microbar, attach the BLUE wire to the RED wire (+BATT).

DUAL COLOR FLASH PATTERN TABLE  
 TABLE DE PATRONES DE PARPADEO DE COLOR DOBLE  
 TABLEAU DES EFFETS DE CLIGNOTEMENT DE BICOLOR

Red Wire	Pattern		Description	FPM	Sync	Phase	SAE J845				CA T13			ECE R65		
	White Wire	Red + White Wire					A	B	W	R	A	B	R	A	B	R
							Class 1A	Class 1A	Class 1A	Class 1A	Class E	Class E	Class E	Class E	Class E	Class E
1		1	Single - Color 1	75	Y	A	Class 1A	Class 1A	Class 1A	Class 1A	Class E	Class E	Class E	-	-	-
2		2	Single - Color 1	75	Y	B	Class 1A	Class 1A	Class 1A	Class 1A	Class E	Class E	Class E	-	-	-
		3	Single Split - Color 1 & 2	75	Y	A	-	-	-	-	-	-	-	-	-	-
		4	Single Split - Color 1 & 2	75	Y	B	-	-	-	-	-	-	-	-	-	-
1	5	5	Single - Color 2	75	Y	A	Class 1A	Class 1A	Class 1A	Class 1A	Class E	Class E	Class E	-	-	-
2	6	6	Single - Color 2	75	Y	B	Class 1A	Class 1A	Class 1A	Class 1A	Class E	Class E	Class E	-	-	-
3	3	7	Single - Color 1 then 2	75	Y	A	-	-	-	-	-	-	-	-	-	-
4	4	8	Single - Color 1 then 2	75	Y	B	-	-	-	-	-	-	-	-	-	-
5	5	9	Single Split - Alternating Color 1 then 2	75	Y	A	-	-	-	-	-	-	-	-	-	-
6		10	Single - Color 1	375	Y	A	-	-	-	-	-	-	-	-	-	-
7		11	Single - Color 1	375	Y	B	-	-	-	-	-	-	-	-	-	-
		12	Single Split - Color 1 & 2	375	Y	A	-	-	-	-	-	-	-	-	-	-
		13	Single Split - Color 1 & 2	375	Y	B	-	-	-	-	-	-	-	-	-	-
6	14	14	Single - Color 2	375	Y	A	-	-	-	-	-	-	-	-	-	-
	7	15	Single - Color 2	375	Y	B	-	-	-	-	-	-	-	-	-	-
8	8	16	Single - Color 1 then 2	375	Y	A	-	-	-	-	-	-	-	-	-	-
9	9	17	Single - Color 1 then 2	375	Y	B	-	-	-	-	-	-	-	-	-	-
10	10	18	Single Split - Alternating Color 1 then 2	375	Y	A	-	-	-	-	-	-	-	-	-	-
11		19	Double - Color 1	75	Y	A	Class 1A	Class 1A	Class 1A	Class 1A	Class E	Class E	Class E	-	-	-
12		20	Double - Color 1	75	Y	B	Class 1A	Class 1A	Class 1A	Class 1A	Class E	Class E	Class E	-	-	-
		21	Double Split - Color 1 & 2	75	Y	A	-	-	-	-	-	-	-	-	-	-
		22	Double Split - Color 1 & 2	75	Y	B	-	-	-	-	-	-	-	-	-	-
	11	23	Double - Color 2	75	Y	A	Class 1A	Class 1A	Class 1A	Class 1A	Class E	Class E	Class E	-	-	-
	12	24	Double - Color 2	75	Y	B	Class 1A	Class 1A	Class 1A	Class 1A	Class E	Class E	Class E	-	-	-
13	13	25	Double - Color 1 then 2	75	Y	A	-	-	-	-	-	-	-	-	-	-
14	14	26	Double - Color 1 then 2	75	Y	B	-	-	-	-	-	-	-	-	-	-
15	15	27	Double Split - Alternating Color 1 then 2	75	Y	A	-	-	-	-	-	-	-	-	-	-
16	28	28	Double - Color 1	120	Y	A	Class 1A	Class 1A	Class 1A	Class 1A	-	-	-	Class 1	Class 1	Class 1
17	29	29	Double - Color 1	120	Y	B	Class 1A	Class 1A	Class 1A	Class 1A	-	-	-	Class 1	Class 1	Class 1
	30	30	Double Split - Color 1 & 2	120	Y	A	-	-	-	-	-	-	-	-	-	-
	31	31	Double Split - Color 1 & 2	120	Y	B	-	-	-	-	-	-	-	-	-	-
16	32	32	Double - Color 2	120	Y	A	Class 1A	Class 1A	Class 1A	Class 1A	-	-	-	Class 1	Class 1	Class 1
17	33	33	Double - Color 2	120	Y	B	Class 1A	Class 1A	Class 1A	Class 1A	-	-	-	Class 1	Class 1	Class 1
18	18	34	Double - Color 1 then 2	120	Y	A	-	-	-	-	-	-	-	-	-	-
19	19	35	Double - Color 1 then 2	120	Y	B	-	-	-	-	-	-	-	-	-	-
20	20	36	Double Split - Alternating Color 1 then 2	120	Y	A	-	-	-	-	-	-	-	-	-	-
21		37	Triple - Color 1	75	Y	A	Class 1A	Class 1A	Class 1A	Class 1A	Class E	Class E	Class E	-	-	-
22		38	Triple - Color 1	75	Y	B	Class 1A	Class 1A	Class 1A	Class 1A	Class E	Class E	Class E	-	-	-
		39	Triple Split - Color 1 & 2	75	Y	A	-	-	-	-	-	-	-	-	-	-
		40	Triple Split - Color 1 & 2	75	Y	B	-	-	-	-	-	-	-	-	-	-
21	41	41	Triple - Color 2	75	Y	A	Class 1A	Class 1A	Class 1A	Class 1A	Class E	Class E	Class E	-	-	-
22	42	42	Triple - Color 2	75	Y	B	Class 1A	Class 1A	Class 1A	Class 1A	Class E	Class E	Class E	-	-	-
23	23	43	Triple - Color 1 then 2	75	Y	A	-	-	-	-	-	-	-	-	-	-
44		44	Triple - Color 1 then 2	75	Y	B	-	-	-	-	-	-	-	-	-	-
24	24	45	Triple Split - Alternating Color 1 then 2	75	Y	A	-	-	-	-	-	-	-	-	-	-
25	46	46	Quad - Color 1	75	Y	A	Class 1A	Class 1A	Class 1A	Class 1A	Class E	Class E	Class E	-	-	-
26	47	47	Quad - Color 1	75	Y	B	Class 1A	Class 1A	Class 1A	Class 1A	Class E	Class E	Class E	-	-	-
	48	48	Quad Split - Color 1 & 2	75	Y	A	-	-	-	-	-	-	-	-	-	-
	49	49	Quad Split - Color 1 & 2	75	Y	B	-	-	-	-	-	-	-	-	-	-
25	50	50	Quad - Color 2	75	Y	A	Class 1A	Class 1A	Class 1A	Class 1A	Class E	Class E	Class E	-	-	-
26	51	51	Quad - Color 2	75	Y	B	Class 1A	Class 1A	Class 1A	Class 1A	Class E	Class E	Class E	-	-	-
27	27	52	Quad - Color 1 then 2	75	Y	A	-	-	-	-	-	-	-	-	-	-
28	28	53	Quad - Color 1 then 2	75	Y	B	-	-	-	-	-	-	-	-	-	-
29	29	54	Quad Split - Alternating Color 1 then 2	75	Y	A	-	-	-	-	-	-	-	-	-	-
30	55	55	Quad - Color 1	120	Y	A	Class 1A	Class 1A	Class 1A	Class 1A	-	-	-	Class 1	Class 1	Class 1
31	56	56	Quad - Color 1	120	Y	B	Class 1A	Class 1A	Class 1A	Class 1A	-	-	-	Class 1	Class 1	Class 1
	57	57	Quad Split - Color 1 & 2	120	Y	A	-	-	-	-	-	-	-	-	-	-
	58	58	Quad Split - Color 1 & 2	120	Y	B	-	-	-	-	-	-	-	-	-	-
30	59	59	Quad - Color 2	120	Y	A	Class 1A	Class 1A	Class 1A	Class 1A	-	-	-	Class 1	Class 1	Class 1
31	60	60	Quad - Color 2	120	Y	B	Class 1A	Class 1A	Class 1A	Class 1A	-	-	-	Class 1	Class 1	Class 1
32	32	61	Quad - Color 1 then 2	120	Y	A	-	-	-	-	-	-	-	-	-	-
33	33	62	Quad - Color 1 then 2	120	Y	B	-	-	-	-	-	-	-	-	-	-
34	34	63	Quad Split - Alternating Color 1 then 2	120	Y	A	-	-	-	-	-	-	-	-	-	-
35		64	Double Diagonal - Color 1	150	Y	A	-	-	-	-	-	-	-	-	-	-
36		65	Double Diagonal - Color 1	150	Y	B	-	-	-	-	-	-	-	-	-	-
		66	Double Diagonal Split - Alternating Color 1 then 2	150	Y	A	-	-	-	-	-	-	-	-	-	-
		67	Double Diagonal Split - Alternating Color 1 then 2	150	Y	B	-	-	-	-	-	-	-	-	-	-
35	68	68	Double Diagonal - Color 2	150	Y	A	-	-	-	-	-	-	-	-	-	-
36	69	69	Double Diagonal - Color 2	150	Y	B	-	-	-	-	-	-	-	-	-	-
37	70	70	Double Diagonal - Alternating Color 1 then 2	150	Y	A	-	-	-	-	-	-	-	-	-	-
38	38	71	Double Diagonal - Alternating Color 1 then 2	150	Y	B	-	-	-	-	-	-	-	-	-	-
39		72	Quad Diagonal - Color 1	150	Y	A	-	-	-	-	-	-	-	-	-	-
40		73	Quad Diagonal - Color 1	150	Y	B	-	-	-	-	-	-	-	-	-	-
	74	74	Quad Diagonal Split - Alternating Color 1 then 2	150	Y	A	-	-	-	-	-	-	-	-	-	-
	75	75	Quad Diagonal Split - Alternating Color 1 then 2	150	Y	B	-	-	-	-	-	-	-	-	-	-
39	76	76	Quad Diagonal - Color 2	150	Y	A	-	-	-	-	-	-	-	-	-	-
40	77	77	Quad Diagonal - Color 2	150	Y	B	-	-	-	-	-	-	-	-	-	-
41	41	78	Quad Diagonal - Alternating Color 1 then 2	150	Y	A	-	-	-	-	-	-	-	-	-	-
42	42	79	Quad Diagonal - Alternating Color 1 then 2	150	Y	B	-	-	-	-	-	-	-	-	-	-
43		80	Fast Rotate - Color 1	120	Y	A	-	-	-	-	-	-	-	-	-	-
	43	81	Fast Rotate - Color 2	120	Y	A	-	-	-	-	-	-	-	-	-	-
	82	82	Rast Rotate - Color 1 then 2	120	Y	A	-	-	-	-	-	-	-	-	-	-
44		83	Rotate / Quad - Color 1	150 / 75	Y	A	-	-	-	-	-	-	-	-	-	-
44	84	84	Rotate / Quad - Color 2	150 / 75	Y	A	-	-	-	-	-	-	-	-	-	-
	85	85	Rotate / Quad - Color 1 then 2	150 / 75	Y	A	-	-	-	-	-	-	-	-	-	-
45		86	Wave Rotate - Color 1	70	Y	A	-	-	-	-	-	-	-	-	-	-
	45	87	Wave Rotate - Color 2	70	Y	A	-	-	-	-	-	-	-	-	-	-
	88	88	Wave Rotate - Color 1 then 2	70	Y	A	-	-	-	-	-	-	-	-	-	-
		89	Random - Color 1 & 2	N	N	A	-	-	-	-	-	-	-	-	-	-
46		90	Steady - Color 1	N	N	A	-	-	-	-	-	-	-	-	-	-
	46	91	Steady - Color 2	N	N	A	-	-	-	-	-	-	-	-	-	-

SINGLE COLOR FLASH PATTERN TABLE  
 TABLA DE PATRONES DE PARRADEO DE COLOR ÚNICO  
 TABLEAU DES EFFETS DE CLIGNOTEMENT DE MONOCHROME

Pattern	Description	FPM	Sync	Phase	SAE J845															
					5545				5550				CA T13				ECE R65			
					A	CA	A	CA	CB	CR	A	CA	CB	CR	A	CA	CB	CR		
1	Single	75	Y	A	Class 2A	Class 2A	Class 1A	Class 1A	Class 1A	Class 1A	Class E	Class E	Class E	Class E	-	-	-	-		
2	Single	75	Y	B	Class 2A	Class 2A	Class 1A	Class 1A	Class 1A	Class 1A	Class E	Class E	Class E	Class E	-	-	-	-		
3	Single Alternating Split	75	Y		-	-	-	-	-	-	-	-	-	-	-	-	-	-		
4	Single	120	Y	A	Class 2A	Class 2A	Class 1A	Class 1A	Class 1A	Class 1A	-	-	-	-	Class 1	Class 1	-	-		
5	Single	120	Y	B	Class 2A	Class 2A	Class 1A	Class 1A	Class 1A	Class 1A	-	-	-	-	Class 1	Class 1	-	-		
6	Single Alternating Split	120	Y		-	-	-	-	-	-	-	-	-	-	-	-	-	-		
7	Double	75	Y	A	Class 2A	Class 2A	Class 1A	Class 1A	Class 1A	Class 1A	Class E	Class E	Class E	Class E	-	-	-	-		
8	Double	75	Y	B	Class 2A	Class 2A	Class 1A	Class 1A	Class 1A	Class 1A	Class E	Class E	Class E	Class E	-	-	-	-		
9	Double Alternating Split	75	Y		-	-	-	-	-	-	-	-	-	-	-	-	-	-		
10	Double	120	Y	A	Class 2A	Class 2A	Class 1A	Class 1A	Class 1A	Class 1A	-	-	-	-	Class 1	Class 1	Class 1	Class 1		
11	Double	120	Y	B	Class 2A	Class 2A	Class 1A	Class 1A	Class 1A	Class 1A	-	-	-	-	Class 1	Class 1	Class 1	Class 1		
12	Double Alternating Split	120	Y		-	-	-	-	-	-	-	-	-	-	-	-	-	-		
13	Quad	75	Y	A	Class 2A	Class 2A	Class 1A	Class 1A	Class 1A	Class 1A	-	-	-	-	-	-	-	-		
14	Quad	75	Y	B	Class 2A	Class 2A	Class 1A	Class 1A	Class 1A	Class 1A	-	-	-	-	-	-	-	-		
15	Quad Alternating Split	75	Y		-	-	-	-	-	-	-	-	-	-	-	-	-	-		
16	Quad	150	Y	A	Class 2A	Class 2A	Class 1A	Class 1A	Class 1A	Class 1A	-	-	-	-	-	-	-	-		
17	Quad	150	Y	B	Class 2A	Class 2A	Class 1A	Class 1A	Class 1A	Class 1A	-	-	-	-	-	-	-	-		
18	Quad Alternating Split	150	Y		-	-	-	-	-	-	-	-	-	-	-	-	-	-		
19	Triple	75	Y	A	Class 2A	Class 2A	Class 1A	Class 1A	Class 1A	Class 1A	-	-	-	-	-	-	-	-		
20	Triple	75	Y	B	Class 2A	Class 2A	Class 1A	Class 1A	Class 1A	Class 1A	-	-	-	-	-	-	-	-		
21	Triple Alternating Split	75	Y		-	-	-	-	-	-	-	-	-	-	-	-	-	-		
22	Quint	150	Y	A	Class 2A	Class 2A	Class 1A	Class 1A	Class 1A	Class 1A	-	-	-	-	-	-	-	-		
23	Quint	150	Y	B	Class 2A	Class 2A	Class 1A	Class 1A	Class 1A	Class 1A	-	-	-	-	-	-	-	-		
24	Quint Alternating Split	150	Y		-	-	-	-	-	-	-	-	-	-	-	-	-	-		
25	Double Diagonal	150	Y	A	-	-	-	-	-	-	-	-	-	-	-	-	-	-		
26	Double Diagonal	150	Y	B	-	-	-	-	-	-	-	-	-	-	-	-	-	-		
27	Double Diagonal Alternating Split	150	Y		-	-	-	-	-	-	-	-	-	-	-	-	-	-		
28	Quad Diagonal	150	Y	A	-	-	-	-	-	-	-	-	-	-	-	-	-	-		
29	Quad Diagonal	150	Y	B	-	-	-	-	-	-	-	-	-	-	-	-	-	-		
30	Quad Diagonal Alternating Split	150	Y		-	-	-	-	-	-	-	-	-	-	-	-	-	-		
31	Fast Rotate	120	Y		-	-	-	-	-	-	-	-	-	-	-	-	-	-		
32	Rotate/Quad	150 / 75	Y		-	-	-	-	-	-	-	-	-	-	-	-	-	-		
33	Wave Rotate	70	Y		-	-	-	-	-	-	-	-	-	-	-	-	-	-		
34	Random		N		-	-	-	-	-	-	-	-	-	-	-	-	-	-		
35	Steady		N		-	-	-	-	-	-	-	-	-	-	-	-	-	-		

**Manufacturer Limited Warranty and Limitation of Liability:**

Manufacturer warrants that on the date of purchase, this product will conform to Manufacturer's specifications for this product (which are available from the Manufacturer upon request). This Limited Warranty extends for sixty (60) months from the date of purchase.

DAMAGE TO PARTS OR PRODUCTS RESULTING FROM TAMPERING, ACCIDENT, ABUSE, MISUSE, NEGLIGENCE, UNAPPROVED MODIFICATIONS, FIRE OR OTHER HAZARD; IMPROPER INSTALLATION OR OPERATION; OR NOT BEING MAINTAINED IN ACCORDANCE WITH THE MAINTENANCE PROCEDURES SET FORTH IN MANUFACTURER'S INSTALLATION AND OPERATING INSTRUCTIONS VOIDS THIS LIMITED WARRANTY.

**Exclusion of Other Warranties:**

MANUFACTURER MAKES NO OTHER WARRANTIES, EXPRESSED OR IMPLIED. THE IMPLIED WARRANTIES FOR MERCHANTABILITY, QUALITY OR FITNESS FOR A PARTICULAR PURPOSE, OR ARISING FROM A COURSE OF DEALING, USAGE OR TRADE PRACTICE ARE HEREBY EXCLUDED AND SHALL NOT APPLY TO THE PRODUCT AND ARE HEREBY DISCLAIMED, EXCEPT TO THE EXTENT PROHIBITED BY APPLICABLE LAW. ORAL STATEMENTS OR REPRESENTATIONS ABOUT THE PRODUCT DO NOT CONSTITUTE WARRANTIES.

**Remedies and Limitation of Liability:**

MANUFACTURER'S SOLE LIABILITY AND BUYER'S EXCLUSIVE REMEDY IN CONTRACT, TORT (INCLUDING NEGLIGENCE), OR UNDER ANY OTHER THEORY AGAINST MANUFACTURER REGARDING THE PRODUCT AND ITS USE SHALL BE, AT MANUFACTURER'S DISCRETION, THE REPLACEMENT OR REPAIR OF THE PRODUCT, OR THE REFUND OF THE PURCHASE PRICE PAID BY BUYER FOR NON-CONFORMING PRODUCT. IN NO EVENT SHALL MANUFACTURER'S LIABILITY ARISING OUT OF THIS LIMITED WARRANTY OR ANY OTHER CLAIM RELATED TO THE MANUFACTURER'S PRODUCTS EXCEED THE AMOUNT PAID FOR THE PRODUCT BY BUYER AT THE TIME OF THE ORIGINAL PURCHASE. IN NO EVENT SHALL MANUFACTURER BE LIABLE FOR LOST PROFITS, THE COST OF SUBSTITUTE EQUIPMENT OR LABOR, PROPERTY DAMAGE, OR OTHER SPECIAL, CONSEQUENTIAL, OR INCIDENTAL DAMAGES BASED UPON ANY CLAIM FOR BREACH OF CONTRACT, IMPROPER INSTALLATION, NEGLIGENCE, OR OTHER CLAIM, EVEN IF MANUFACTURER OR A MANUFACTURER'S REPRESENTATIVE HAS BEEN ADVISED OF THE POSSIBILITY OF SUCH DAMAGES. MANUFACTURER SHALL HAVE NO FURTHER OBLIGATION OR LIABILITY WITH RESPECT TO THE PRODUCT OR ITS SALE, OPERATION AND USE, AND MANUFACTURER NEITHER ASSUMES NOR AUTHORIZES THE ASSUMPTION OF ANY OTHER OBLIGATION OR LIABILITY IN CONNECTION WITH SUCH PRODUCT.

This Limited Warranty defines specific legal rights. You may have other legal rights which vary from jurisdiction to jurisdiction. Some jurisdictions do not allow the exclusion or limitation of incidental or consequential damages.



833 West Diamond St  
Boise, Idaho 83705

**Customer Service**

USA 800-635-5900

UK +44 (0)113 237 5340

AUS +61 (0)3 63322444

[www.eccoesg.com](http://www.eccoesg.com)

An ECCO SAFETY GROUP™ Brand  
[www.eccosafetygroup.com](http://www.eccosafetygroup.com)



# ECCO® Instrucciones de instalación y operación

## MICROBARRAS LED DE LA SERIE 5500

### ⚠ ¡ADVERTENCIA!

En caso de no instalar ni utilizar este producto conforme a las sugerencias del fabricante se podrían ocasionar daños a la propiedad, lesiones graves personales o el deceso del usuario y de las personas que se busca proteger.



No instale ni opere este producto de seguridad, a menos que haya leído y comprendido la información de seguridad contenida en este manual.

- Para garantizar su propia seguridad y la de las personas a las que intenta proteger, es esencial una instalación correcta, combinada con la formación del operador en el uso, cuidado y mantenimiento de los dispositivos de seguridad de emergencia.
- Tenga precaución cuando trabaje con conexiones eléctricas con carga.
- Este producto debe estar correctamente conectado a tierra. La conexión inadecuada a tierra o el cortocircuito de las conexiones eléctricas pueden causar arcos con alta corriente, lo que puede causar lesiones físicas o daños graves en vehículos, incluido fuego.
- La colocación e instalación adecuadas son vitales para el buen funcionamiento de este dispositivo de seguridad. Instale este producto de forma que permita un rendimiento óptimo del sistema y los controles estén situados de modo que el operador pueda alcanzarlos cómodamente y manejar el sistema sin perder en ningún momento el contacto visual con la calzada.
- No instale este producto ni coloque los cables en la zona de despliegue de un airbag. Si el equipo se monta o coloca en la zona de despliegue de un airbag, el airbag perderá eficacia o el equipo puede salir despedido, lo cual puede causar lesiones graves o incluso mortales. Consulte el manual del propietario del vehículo para conocer la zona de despliegue de los airbags. El usuario u operador son responsables de determinar una posición de montaje adecuada que garantice la seguridad de todos los ocupantes del vehículo, y deben evitar zonas que puedan provocar golpes en la cabeza.
- Es responsabilidad del operador del vehículo asegurarse de que todas las funciones de este producto funcionen correctamente durante su uso. Durante el uso, el operador del vehículo debe asegurar que los componentes de este (es decir, maleteros o puertas de compartimientos abiertas), personas, vehículos u otras obstrucciones no bloqueen la proyección de la señal de advertencia.
- El uso de este o cualquier otro dispositivo de seguridad no garantiza que todos los conductores estarán en situación de reaccionar ante una señal de advertencia, voluntaria o involuntariamente. Nunca dé por hecho que tiene prioridad de paso. Es responsabilidad enteramente suya asegurarse de que puede continuar de forma segura antes de entrar en una intersección, conducir en sentido contrario, responder a una gran velocidad o caminar por los carriles de tráfico o cerca de ellos.
- El uso de este equipo está reservado exclusivamente a personal autorizado. El usuario es responsable de conocer y acatar todas las leyes vigentes relacionadas con dispositivos de señales de advertencia. Por lo tanto, el usuario debe comprobar todas las leyes y normativas de ámbito metropolitano, regional, nacional y cualquier otro ámbito pertinente. El fabricante no asume responsabilidad alguna por pérdidas derivadas del uso de este dispositivo de seguridad.

### Especificaciones:

Tamaño:	5545X, 5545XX 5550X, 5550XX 5550XXX	(11 pulg. x 8 pulg. x 2 pulg.) (27,9 cm x 20,3 cm x 5 cm)
	5545X-HBT, 5545XX-HBT 5550X-HBT, 5550XX-HBT 5550XXX-HBT	(11 pulg. x 8 pulg. x 2,5 pulg.) (27,9 cm x 20,3 cm x 6,4 cm)
	5545X-VM, 5545XX-VM 5550X-VM, 5550XX-VM 5550XXX-VM	(10 pulg. x 7 pulg. x 3 pulg.) (38,1 cm x 22,8 cm x 7,9 cm)

Consumo de corriente:

5545: 1,48 amperes máxima  
Consumo máximo de energía: 18,9 vatios  
5550: 4,9 amperes máxima  
Consumo máximo de energía: 62,7 vatios

Velocidad de destello:

Consulte la tabla de patrones de intermitencia

Rango de temp.:

-22°F a +122°F  
-30°C a +50°C

Peso:	Montaje	5545	5550
	Montaje permanente	approx. 0,9 kg (1,9 libras)	approx. 0,9 kg (2 libras)
	Montaje HBT	approx. 1,1 kg (2,5 libras)	approx. 1,8 kg (4 libras)
	Montaje de vacío magnético	approx. 1,5 kg (3,3 libras)	approx. 1,6 kg (3,6 libras)



¡Precaución! Al perforar cualquier superficie del vehículo, asegúrese de que no haya cables eléctricos, mangueras de combustible, tapicería, etc. en el área que pudiesen dañarse.

### Montaje permanente:

- Seleccione la ubicación de montaje deseada para la minibar sobre una superficie plana. Al seleccionar la ubicación del montaje se deben tener en cuenta la visibilidad de la luz intermitente y la facilidad de acceso al cableado.
- Desatornille el lente de la base de la microbar. Utilice los cuatro orificios de las esquinas de la base para marcar las ubicaciones de los orificios de montaje.
- Perfore los orificios con un taladro de 5,55 mm (7/32 pulg.).
- Se puede perforar un quinto orificio para el acceso del cable.
- Conecte los cables de alimentación como se indica en la sección de cableado (vea la figura 6).
- Realice el montaje de la minibar con los herrajes M5 provistos.

Tensión de entrada: Sistemas de 12 a 24 V CC

### Instalación y montaje:

**¡Importante!** Esta unidad es un dispositivo de seguridad y debe conectarse a su propia alimentación con fusible, para garantizar una operación continua en el caso de que falle cualquier otro accesorio eléctrico.

Retire la minibar con cuidado y colóquela sobre una superficie plana. Examine la unidad para detectar si se produjeron daños durante el traslado y ubique todas las piezas. Si se encuentran daños o si faltan piezas, comuníquese con la empresa de transporte o con ECCO. No utilice piezas dañadas o rotas.

## Ensamblaje con imanes al vacío:

La función del ensamblaje con imanes al vacío incluye una copa de succión en la parte inferior de la microbarra, con un imán dentro de la copa de succión, para un ensamblaje seguro y temporal. La microbarra debe colocarse en el centro del techo en donde ocurre la última cantidad de curvatura. Antes de instalar, asegúrese de que la superficie de ensamblaje esté limpia y que no haya suciedad en la parte inferior de la microbarra o en el techo del vehículo, lo que podría reducir el poder de agarre de la copa de succión y el imán. Coloque y retire la microbarra sin deslizarla para evitar rayar la pintura del vehículo. Luego de colocarla, la microbarra debería adherirse firmemente a la superficie. Si la unidad se desliza o mueve fácilmente, entonces no se ha logrado una correcta instalación. Para liberar el vacío, levante la pestaña para soltar la compuerta de aire (ver Figura 1). Para proteger el ensamblaje con imanes al vacío, retorne la microbarra a la caja cuando no esté en uso. No intente enganchar la microbarra a una superficie cubierta de hielo.

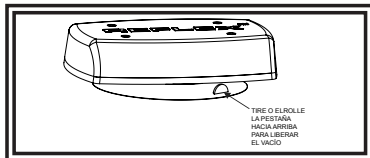


FIGURA 1

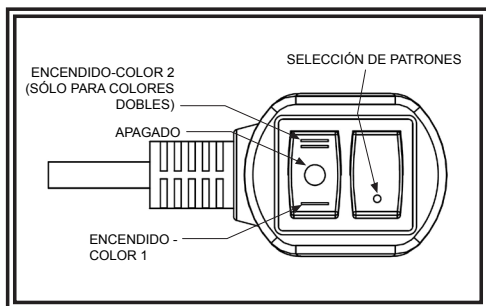


FIGURA 2

## Instalación con montaje en vacío para la serie 5500:

1. Extraiga los tornillos del lente y luego extraiga el lente.
2. Suelte y retire el arnés de cableado.
3. Inserte el extremo inmovilizado del adaptador de cigarrillos a través del mazo de cables desde la parte inferior de la base.
4. Gire el acople de los pines lado arriba e inserte los pines en el conector como se muestra en la Figura 4.
5. Coloque una abrazadera plástica de 1.5" (3.81 cm) desde la base de los conectores como se muestra en la Figura 5. La abrazadera plástica no debe poder deslizarse en el cable. Recorte el exceso de abrazadera.
6. Enganche el conector al tablero del PCA y tire de la parte suelta hasta que la abrazadera toque la base.
7. Cuando observe a la parte superior de la microbarra con el cable del lado izquierdo, retire los tornillos asegurando el módulo de la esquina superior derecha y colóquelos al lado, como se muestra en.
8. Con el encendedor de cigarrillos a la izquierda, destornille los módulos que se encuentren lo más alejado de usted y el tablero del PCA en versiones de color doble para obtener acceso a los orificios de ensamblaje al vacío.
9. Reinstale los módulos, el tablero del PCA y el lente, al revés de como lo retiró. Deslice el anillo en o sobre el tornillo hasta que llegue al cabezal, antes de asegurarlo en el lente.



## ¡ADVERTENCIA!

La velocidad máxima sugerida para el vehículo para un uso seguro del modelo con montaje en vacío es de 65 mph (104 km/h) cuando está colocada en el centro del techo de un vehículo de construcción de acero. Las velocidades más elevadas podrían hacer fallar el montaje desprendiendo la microbarra del vehículo, lo cual podría ocasionar daños a otros vehículos y lesiones o el deceso de los pasajeros. El montaje de vacío magnético no está diseñado para ser un montaje permanente para la microbarra. La unidad con montaje de vacío magnético debe colocarse sobre una superficie magnética suave y plana (es decir, que no sean techos de fibra de vidrio, estriados, etc.). Asegúrese de que el imán se mantenga limpio.



## ¡ADVERTENCIA!

El no cumplimiento con estas instrucciones puede ocasionar incendios o lesiones a causa de la excesiva acumulación de calor.

El operador tiene la responsabilidad de asegurarse de que el enchufe auxiliar se adapte correctamente al tomacorrientes auxiliar utilizado.

Para que el funcionamiento sea apropiado, verifique que el circuito de salida de la alimentación auxiliar tenga un valor nominal de alimentación mínima de 10 amperes. (Consulte la sección de especificaciones para la corriente nominal en amperes).

No exceda el valor nominal de corriente para el enchufe de alimentación auxiliar que sugiere el fabricante del vehículo.

Mantenga limpia, y sin residuos, el enchufe y la salida auxiliar

No utilice el enchufe auxiliar si está mojado.

Inserte completamente el enchufe auxiliar en el tomacorrientes para una correcta conexión.

Sujete el enchufe auxiliar, NO el cable, para extraerlo del tomacorrientes.

Extraiga por completo el enchufe auxiliar del tomacorrientes cuando no utilice la luz.

**Nota:** El uso de la microbarra sin el lente instalado en este producto ocasiona un daño que no se encuentra cubierto por la garantía.

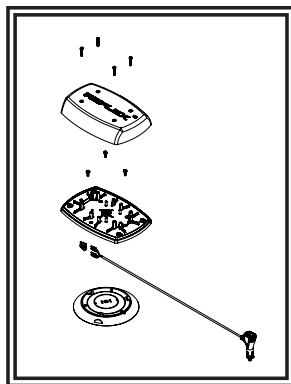


FIGURA 3

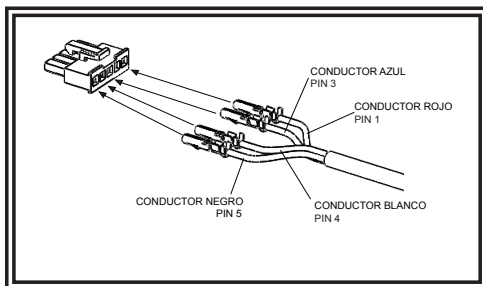


FIGURA 4



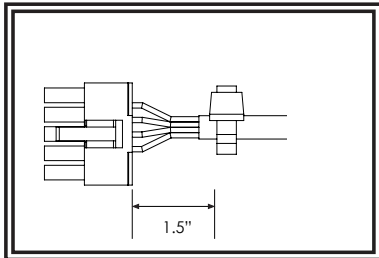


FIGURA 5

### Cableado:

**¡Importante!** Desconecte la energía antes de cablear la microbarra.

El cableado de la microbarra de montaje permanente es el que se muestra en la figura 6. Todo el cableado debe ser como mínimo 18 AWG. La línea positiva debe tener un fusible de 6 amperes, según se indica. Se puede utilizar un interruptor para controlar la función de encendido-apagado.

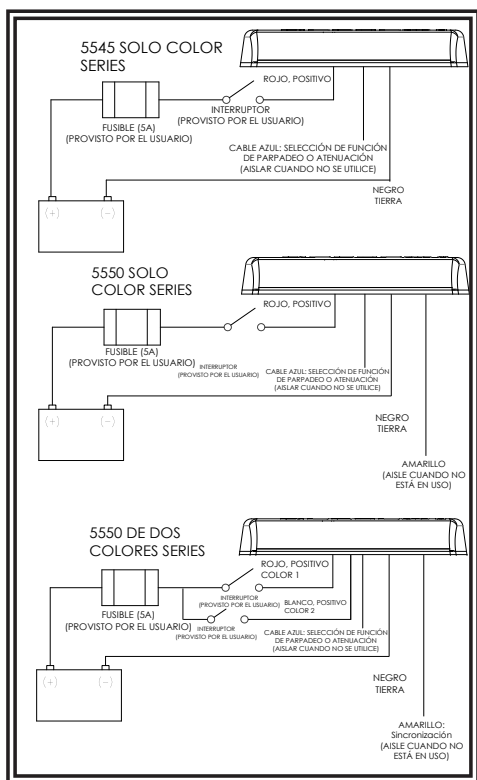


FIGURA 6

### SELECCIÓN DE PATRÓN DE PARPADEO:

Para seleccionar un patrón de parpadeo, aplique corriente a los cables ROJO o BLANCO, o tanto al ROJO como al BLANCO. (El cable blanco solo es el del color doble). Toque el cable NEGRO (masa) con el cable AZUL durante menos de 1 segundo para pasar al siguiente patrón. Para volver al patrón anterior, toque el cable NEGRO con el cable AZUL durante aproximadamente 2 o 3 segundos. Para forzar el patrón de parpadeo al modo fijo, toque el cable NEGRO con el cable AZUL durante aproximadamente 5 segundos. Cuando se utilice el montaje de imán de vacío, el cable AZUL se conecta a masa a través del conmutador de acción momentánea del conector para mechero como se muestra en la Figura 2. Para obtener más información acerca de los patrones de parpadeo, consulte las TABLAS DE PATRONES DE PARPADEO DE COLOR ÚNICO Y DOBLE.

### Sincronización del patrón de intermitencia:

Las microbarras de ensamblaje permanente se sincronizan con los productos ECCO a través del cable amarillo:

- Determine el estilo deseado de patrón de intermitencia de cada unidad y configúrelas en forma individual (sin conectar los cables amarillo entre sí) para evitar confusiones. Además, se sugiere utilizar el mismo estilo de patrón de intermitencia en todas las unidades para producir el patrón de advertencia más eficaz. (NOTA: Las fases A y B de cada estilo de patrón de intermitencia de la tabla indican la sincronización relativa entre las unidades conectadas en una instalación de sincronización. Para que funcionen en forma simultánea, cada unidad debe configurarse en la misma fase (A + A o B + B); para que funcionen en forma alterna, las unidades deben configurarse con las fases opuestas (A + B o B + A)).
- Conecte los cables amarillo (de sincronización) entre sí y verifique que las unidades parpadeen de una manera sincronizada según lo esperado. Si parece que el patrón de un módulo no es el correcto, se puede utilizar el cable azul (configurar patrón) para recorrer hacia adelante o hacia atrás los patrones en esa unidad individual hasta seleccionar el patrón correcto. Nota: Esto solo cambia el patrón en esa unidad y no afecta las otras conectadas al cable amarillo (de sincronización).
- Si el cable azul no se utiliza, déjelo desconectado y aislado.

### FUNCIÓN DE ATENUACIÓN:

Para activar la función de atenuación de esta microbarra, conecte el cable AZUL al cable ROJO (POLO +).

Limitación de responsabilidad y garantía limitada del fabricante:

El fabricante garantiza que al momento de la compra, este producto cumple con las especificaciones del fabricante para el mismo (disponibles a pedido). El fabricante garantiza además que el presente producto está libre de defectos en sus materiales y en su fabricación. Esta garantía limitada se extiende durante sesenta (60) meses a partir de la fecha de la compra. Pueden aplicarse otras garantías. Para más información, comuníquese con el fabricante. El fabricante, a criterio propio, reparará o cambiará todo producto que determine como defectuoso y que esté sujeto a la presente garantía limitada.

EL DAÑO A LAS PIEZAS O PRODUCTOS QUE RESULTE DE LA MANIPULACIÓN INDEBIDA, ACCIDENTES, ABUSO, USO INDEBIDO, NEGLIGENCIA, MODIFICACIONES NO APROBADAS, INCENDIOS U OTROS PELIGROS, LA INSTALACIÓN O EL USO INCORRECTOS O LA FALTA DE MANTENIMIENTO CONFORME A LOS PROCEDIMIENTOS DE MANTENIMIENTO QUE SE ESTABLECEN EN LAS INSTRUCCIONES DE INSTALACIÓN Y USO DEL FABRICANTE, ANULA LA PRESENTE GARANTÍA LIMITADA.

LAS REPRESENTACIONES O DESCRIPCIONES ORALES DEL PRODUCTO QUE PUEDAN HABER SIDO REALIZADAS POR VENEDORES, DISTRIBUIDORES, AGENTES U OTROS REPRESENTANTES DEL FABRICANTE NO CONSTITUYEN GARANTÍAS. ESTA GARANTÍA LIMITADA NO PODRÁ ENMENDARSE, MODIFICARSE NI AMPLIARSE EXCEPTO MEDIANTE UN ACUERDO ESCRITO FIRMADO POR UN REPRESENTANTE AUTORIZADO DEL FABRICANTE QUE HAGA REFERENCIA EN FORMA EXPRESA A ELLA.

Exclusión de otras garantías: EL FABRICANTE NO OTORGA NINGUNA OTRA GARANTÍA, EXPRESA O IMPLÍCITA. MEDIANTE LA PRESENTE, SE EXCLUYEN LAS GARANTÍAS IMPLÍCITAS DE COMERCIABILIDAD O APTITUD PARA UN PROPÓSITO EN PARTICULAR, QUE NO SE APLICARÁN AL PRODUCTO. EL ÚNICO Y EXCLUSIVO REMEDIO DEL COMPRADOR CON RESPECTO AL CONTRATO, DERECHOS POR DAÑOS O CUALQUIER OTRA TEORÍA CONTRA EL FABRICANTE RELACIONADA CON EL PRODUCTO Y SU USO SERÁ LA REPARACIÓN O EL REEMPLAZO DEL PRODUCTO SEGÚN SE DESCRIBE ANTERIORMENTE.

Limitación de responsabilidad: EN EL CASO DE RESPONSABILIDAD POR DAÑOS QUE SURJAN DE LA PRESENTE GARANTÍA LIMITADA O POR CUALQUIER OTRO RECLAMO RELACIONADO CON LOS PRODUCTOS DEL FABRICANTE, CON LA RESPONSABILIDAD DEL FABRICANTE FRENTE A LOS DAÑOS, QUEDARÁ LIMITADA AL IMPORTE PAGADO POR EL PRODUCTO EN EL MOMENTO DE LA COMPRA ORIGINAL. EL FABRICANTE NO SERÁ RESPONSABLE, BAJO NINGÚN MOTIVO, POR EL LUCRO CESANTE, EL COSTO DE LA MANO DE OBRA NI DEL EQUIPO DE SUSTITUCIÓN, DAÑOS A LA PROPIEDAD NI POR OTROS DAÑOS ESPECIALES, RESULTANTES O INDIRECTOS EN FUNCIÓN DE RECLAMOS POR INCUMPLIMIENTO CONTRACTUAL, INSTALACIÓN INAPROPIADA, NEGLIGENCIA U OTROS, INCLUSO SI EL FABRICANTE O UNO DE SUS REPRESENTANTES HUBIESE ANTICIPADO LA POSIBILIDAD DE DICHOS DAÑOS. EL FABRICANTE NO TENDRÁ NINGUNA OTRA OBLIGACIÓN O RESPONSABILIDAD RESPECTO DEL PRODUCTO O SU VENTA, OPERACIÓN Y USO NI SUPONE O AUTORIZA QUE SE SUPONGA TODA OTRA OBLIGACIÓN O RESPONSABILIDAD RELACIONADAS CON DICHO PRODUCTO.

Esta garantía limitada define los derechos legales específicos. Es posible que tenga otros derechos legales que varían de estado a estado. Algunos estados no permiten la exclusión o limitación de daños resultantes o indirectos.



833 West Diamond St.

Boise, Idaho 83705

Servicio al cliente

EE.UU. 800.635.5900

Reino Unido +44 (0)113 237 5340

AUS +61 (0)3 63322444

[www.eccoescg.com](http://www.eccoescg.com)



# ECCO® Instructions d'installation et d'utilisation Micro-barres DEL série 5500



## AVERTISSEMENT!

Le non-respect des recommandations d'installation ou d'utilisation du fabricant peut entraîner des matériels, de graves blessures et/ou votre mort et celle de ceux que vous cherchez à protéger!



N'installez pas ce produit de sécurité et ne l'utilisez pas à moins d'avoir lu et compris les informations de sécurité contenues dans ce manuel.

1. Une installation appropriée et un opérateur formé à utiliser, entretenir et réparer des dispositifs de sécurité d'urgence sont essentiels pour garantir votre sécurité et celle de ceux que vous essayez de protéger.
2. Soyez prudent lorsque vous travaillez avec des connexions électriques sous tension.
3. Ce produit doit être mis à la terre adéquatement. Une mise à la terre inadéquate ou un court-circuit des connexions électriques peuvent provoquer un arc électrique à courant élevé, ce qui peut provoquer des blessures corporelles ou des dommages importants au véhicule, y compris un incendie.
4. Un positionnement et une installation adéquats sont essentiels au bon fonctionnement de ce dispositif de sécurité. Installez ce produit afin que les performances de productivité du système soient optimales et que les commandes soient à portée de main de l'opérateur pour qu'il puisse utiliser le système sans perdre le contact visuel avec la chaussée.
5. N'installez pas ce produit ou ne faites pas passer de câble dans la zone de déploiement d'un sac gonflable. Tout équipement installé ou situé dans des zones corporelles graves voire mortelles. Consultez le manuel du propriétaire du véhicule pour connaître les zones de déploiement des sacs gonflables. Il est de la responsabilité de l'utilisateur ou de l'opérateur de déterminer si un emplacement convient à l'installation d'un équipement afin d'assurer la sécurité des occupants du véhicule en portant particulièrement attention aux zones à fort potentiel d'impact frontal.
6. Il incombe à l'opérateur du véhicule de s'assurer que toutes les fonctionnalités de ce produit fonctionnent correctement pendant son utilisation. En cours d'utilisation, l'opérateur du véhicule doit s'assurer que la visibilité du signal d'avertissement n'est pas bloquée par des composantes du véhicule (c.-à-d., des coffres ou des portes de compartiment ouverts), des personnes, des véhicules ou d'autres obstacles.
7. L'utilisation de ce dispositif ou de tout autre dispositif de sécurité ne garantit pas que tous les conducteurs seront attentifs aux signaux ou qu'ils réagiront conséquemment. Ne tenez jamais la priorité de passage pour acquise. Il est de votre responsabilité de vous assurer que vous pouvez procéder en toute sécurité avant d'entrer dans une intersection, de conduire dans le sens inverse de la circulation, de répondre à un appel en conduisant à une vitesse élevée, de marcher sur ou autour des voies de circulation.
8. Cet équipement est destiné uniquement au personnel autorisé. Il incombe à l'utilisateur de comprendre et de respecter toutes les lois relatives aux dispositifs de signalisation d'avertissement. Par conséquent, l'utilisateur doit vérifier toutes les lois et réglementations en vigueur dans la ville, la province et le pays. Le fabricant décline toute responsabilité en cas de perte résultant de l'utilisation de ce dispositif de sécurité.

## Caractéristiques techniques :

Dimensions :	5545X, 5545XX, 5550X, 5550XX	(11 po. x 8 po. x 2 po.) (27,9 cm x 20,3 cm)
	5550XXX	
	5545X-HBT, 5545XX-HBT, 5550X-HBT, 5550XX-HBT	(11 po. x 8 po. x 2,5 po.)
	5550XXX-HBT	
	55845-VM, 5545XX-VM, 5550X-VM, 5550XX-VM	(11 po. x 8 po. x 3 po.)
	5550XXX-VM	

Appel de courant :

5545: 1,48 amp maximum  
Consommation maximale d'électricité: 18,9 watts

5550: 4,9 amp maximum  
Consommation maximale d'électricité: 62,7 watts

Fréquence d'éclat :

Voir le tableau des modes de clignotement

Temp. Plage : -30°C à +50°C

Couleurs disponibles : A,CA

Poids :	<b>Montage</b>	<b>5545</b>	<b>5550</b>
	Montage définitif	env. 0,9 kg(1,9 lb.)	env. 0,9 kg(2,0 lb.)
	Montage HBT	env. 1,1 kg(2,5 lb.)	env. 1,8 kg(4,0 lb.)
	Montage à vide magnétique	env. 1,5 kg(3,3 lb.)	env. 1,6 kg(3,6 lb.)



**Attention!** Lorsque vous percez un trou dans une surface de véhicule, assurez-vous que cette zone est exempte de fils électriques, de canalisations d'essence, de garniture souple, etc. qui pourraient être endommagés.

Tension d'entrée : Systèmes de 12 à 24 V CC

## Installation et montage :

**Important!** Cette unité est un outil de sécurité et doit être reliée à son propre point d'impulsion distinct muni d'un fusible pour assurer son fonctionnement continu au cas où un autre accessoire électrique tomberait en panne.

Sortez délicatement la mini-barre et placez-la sur une surface plane. Assurez-vous que l'unité n'a pas été abîmée dans le transport et repérez toutes les pièces. Si vous repérez un dommage ou des pièces manquantes, contactez la société de transport ou ECCO. N'utilisez pas de pièces cassées ou abîmées.

## Montage permanent :

1. Sélectionnez une surface de montage plane pour micro-barre à installer. La visibilité du clignotement et la simplicité d'accès du câblage doivent être prises en compte dans la sélection de la surface de montage.
2. Dévissez la lentille de la base de la micro-barre. Utilisez les quatre trous des angles de la base pour marquer les emplacements des orifices de montage.
3. Percez les trous avec une perceuse de 7/32 po.
4. Un cinquième trou peut être percé pour l'accès du fil.
5. Reliez les câbles d'alimentation comme indiqué dans la section sur le câblage (voir Figure 6).
6. Installez la micro-barre avec le matériel M5 fourni.

## Montage à vide magnétique :

L'option de montage à vide magnétique inclut des ventouse sur le dessous de la micro-barre, avec un aimant dans la ventouse pour un montage temporaire sécurisé. La microbarre doit être placée au centre du toit, à l'endroit où la courbure est la moins importante. Avant l'installation, assurez-vous que la surface de montage est propre et qu'il n'y a pas de débris sur la partie inférieure de la micro-barre ou sur le toit du véhicule, ce qui pourrait réduire le pouvoir d'adhésion de l'aimant et de la ventouse. Évitez de faire glisser la microbarre lorsque vous l'installez ou que vous la retirez pour éviter de rayer la peinture du véhicule. Après sa mise en place, la microbarre doit fermement adhérer à la surface. Si l'unité glisse ou se déplace facilement, l'installation n'a pas été effectuée correctement. Pour relâcher le vide, soulevez la languette pour dégager l'air emprisonné (voir Figure 1). Afin de préserver l'ensemble de montage à vide magnétique, remettez la mini-barre dans sa boîte lorsque vous ne l'utilisez pas. **Ne tentez pas de l'installer sur une surface couverte de glace.**

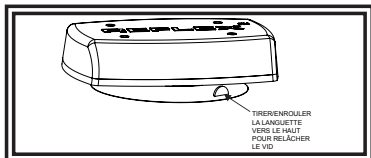


FIGURE 1

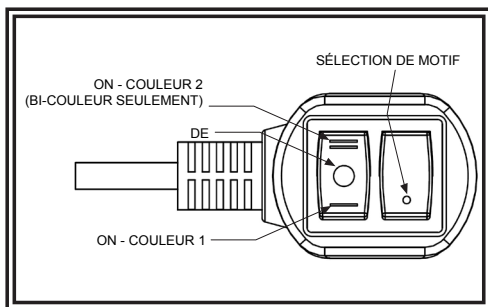


FIGURE 2

## Installation de montage à vide

1. Retirez les vis de la lentille puis retirez la lentille.
2. Déclipssez le faisceau de câbles et retirez-le.
3. Insérez l'extrémité pincée du câble adaptateur de l'allume-cigare à travers le trou du faisceau de câbles à partir de la partie inférieure de la base.
4. Tournez les broches serties vers le haut et insérez les broches dans le connecteur comme illustré à la Figure 4.
5. Mettez une attache mono-usage de 1,5 po à partir de la base des connecteurs illustrés à la Figure 5. L'attache mono-usage ne doit pas pouvoir glisser sur le câble. Coupez l'excès de l'attache mono-usage.
6. Attachez le connecteur à la carte PCA et tirez tout jeu jusqu'à ce que l'attache mono-usage touche la base.
7. Lorsque vous regardez le haut de la microbarre avec le câble sur le côté gauche, retirez les vis qui fixent le module supérieur droit et mettez-le de côté selon.
8. Avec la prise de cigarette à gauche, dévissez les deux modules les plus éloignés de vous, et la carte PCA dans les versions bicolors, pour accéder aux trous de montage du vide.
9. Réinstallez les modules, la carte PCA et l'objectif, l'inverse ou le retrait. Faites glisser le joint torique sur la vis jusqu'à ce qu'il atteigne la tête, avant de le fixer dans l'objectif.



## AVERTISSEMENT!

La vitesse maximale recommandée du véhicule pour une utilisation en toute sécurité du modèle à montage à vide est de 104 km/h (65 mph) lorsqu'il est mis en place au centre du toit en acier d'un véhicule. Si vous roulez à des vitesses élevées, la microbarre pourrait se détacher du véhicule et endommager d'autres véhicules, et blesser voire tuer les passagers. Le montage à vide magnétique n'est pas destiné à être un montage permanent de la microbarre. L'unité à montage à vide magnétique doit être montée sur une surface magnétique lisse et plane (pas de fibres de verre, pas de toiture ondulée, etc.). Assurez-vous de garder l'aimant propre.



## AVERTISSEMENT!

Le fait de ne pas suivre ces instructions peut entraîner un incendie ou une blessure suite à une augmentation excessive de la température. L'opérateur est chargé de vérifier si la fiche auxiliaire est bien installée dans la prise d'alimentation auxiliaire utilisée.

Pour une opération correcte, vérifiez que le circuit d'alimentation secondaire est prévu pour une alimentation de 10 ampères minimum. (Voir la section de spécifications pour les courants nominaux en ampères).

Ne dépassez pas le courant nominal recommandé par le constructeur du véhicule pour l'alimentation secondaire.

Gardez la fiche et la prise d'alimentation secondaire propres et exempts de débris.

N'utilisez pas la fiche auxiliaire lorsqu'elle est humide.

Insérez complètement la fiche auxiliaire dans la prise pour la connecter correctement.

Saisissez la fiche auxiliaire, PAS le cordon, pour retirer la fiche de la prise. Retirez complètement la fiche auxiliaire de sa prise lorsque vous n'utilisez pas la lumière.

**Remarque :** Si vous faites fonctionner la microbarre sans la lentille installée sur ce produit, vous causerez des dommages non couverts par la garantie.

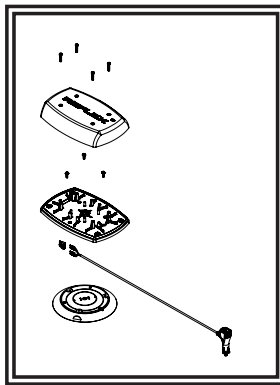


FIGURE 3

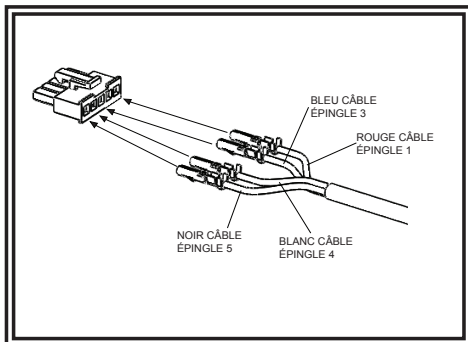


FIGURE 4

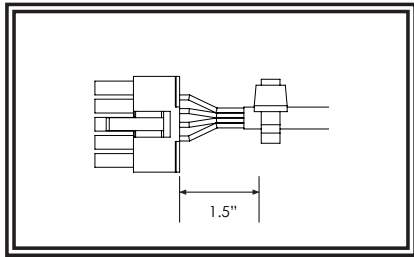


FIGURE 5

## Câblage :

**Important!** Coupez l'alimentation avant de procéder au câblage de la micro-barre.

Le câblage de la micro-barre à montage définitif est tel qu'indiqué à la figure 6. Tout le câblage doit être d'au moins 18 AWG. La ligne positive doit disposer d'un fusible 5 ampères, tel que décrit. Il est possible d'employer un interrupteur pour contrôler la fonction d'allumage et d'arrêt.

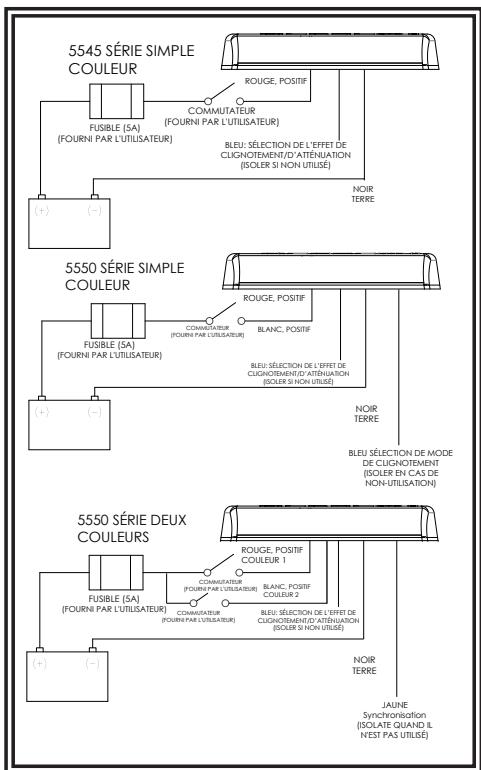


FIGURE 6

## SÉLECTION DES EFFETS DE CLIGNOTEMENT :

Pour sélectionner un effet de clignotement, mettez sous tension les fils ROUGE ou BLANC ou les fils ROUGE et BLANC. (Le fil BLANC est pour l'effet bicolor seulement) Faites brièvement entrer en contact le fil BLEU et le fil NOIR (masse) pendant moins d'une seconde pour passer à l'effet suivant. Pour revenir à l'effet précédent, faites brièvement entrer en contact le fil BLEU et le fil NOIR de 2 à 3 secondes. Pour forcer le clignotement à l'effet STEADY (constant), faites brièvement entrer en contact le fil BLEU et le fil NOIR pendant environ 5 secondes. En cas d'utilisation du support magnétique sous vide, le fil BLEU est connecté à la masse par le biais de l'interrupteur instantané de la prise allume-cigare, comme illustré à la FIGURE 2. Pour plus d'informations sur les effets de clignotement, reportez-vous aux TABLEAUX DES EFFETS DE CLIGNOTEMENTS BICOLORES ci-dessous.

## Mise en synchronisme du mode de clignotement:

Les modèles à montage définitif 5550 sont synchronisés avec d'autres produits ECCO compatibles par le fil jaune:

- Déterminez le mode de clignotement souhaité pour chaque unité et réglez chaque unité individuellement (sans raccorder les fils jaune les uns aux autres) pour éviter toute confusion. Il est aussi fortement recommandé d'utiliser le même mode de clignotement sur toutes les unités pour produire le mode d'avertissement le plus efficace possible. (REMARQUE : Les phases A et B de chaque mode de clignotement du tableau désignent le minutage relatif entre les unités raccordées dans une installation de synchronisation. Pour fonctionner simultanément, chaque unité doit être réglée sur la même phase (A + A ou B + B); pour fonctionner de manière alternative, les unités doivent être réglées sur la phase opposée (A + B ou B + A)).
- Raccordez les fils jaune (sync) les uns aux autres et vérifiez si les unités clignotent comme prévu de manière synchronisée. Si le mode d'un module semble incorrect, vous pouvez utiliser le fil BLEU (LOT DE MODES) pour aller vers l'avant ou vers l'arrière sur cette unité individuelle jusqu'à ce que le bon mode soit sélectionné. Remarque : Ceci ne changera que le mode de cette unité et n'affectera pas les autres unités reliées au fil jaune (sync).
- Si vous n'utilisez pas le fil bleu, laissez-le isolé.

## FNCTION D'ATTÉNUATION :

Pour activer la fonction d'atténuation de cette minibarre, fixez le fil BLEU au fil ROUGE (+BATT).

Garantie limitée et limitation de responsabilité du fabricant :

Le fabricant garantit qu'à la date d'achat ce produit sera conforme aux caractéristiques techniques définies par ses soins (disponibles sur demande) et qu'il est exempt de vices de fabrication et de main-d'œuvre. La présente garantie limitée est valable soixante (60) mois à compter de la date d'achat. D'autres garanties peuvent s'appliquer. Pour plus d'informations, contactez le fabricant. Le fabricant réparera ou remplacera, à son entière discrétion, tout produit qu'il jugera défectueux, sous réserve de la présente garantie limitée.

LA PRÉSENTE GARANTIE LIMITÉE EST NULLE ET NON AVENUE EN CAS D'ENDOMMAGEMENT DE PIÈCES OU DE PRODUITS RÉSULTANT D'UNE ALTÉRATION, D'UN ACCIDENT, D'UN ABUS, D'UNE MAUVAISE UTILISATION, D'UNE NÉGLIGENCE, DE MODIFICATIONS NON AUTORISÉES, D'UN INCENDIE OU D'UN AUTRE DANGER; D'UNE MAUVAISE INSTALLATION OU D'UN FONCTIONNEMENT INCORRECT; OU ENCORE D'UN ENTRETIEN NON CONFORME AUX PROCÉDURES D'ENTRETIEN DÉFINIES DANS LES INSTRUCTIONS D'INSTALLATION ET D'UTILISATION DU FABRICANT.

LES DÉCLARATIONS OU OBSERVATIONS ORALES AU SUJET DU PRODUIT QUI POURRAIENT AVOIR ÉTÉ FAITES PAR DES VENDEURS, DES REVENDEURS, DES AGENTS OU D'AUTRES REPRÉSENTANTS DU FABRICANT NE CONSTITUENT PAS DES GARANTIES. LA PRÉSENTE GARANTIE LIMITÉE NE PEUT ÊTRE MODIFIÉE ET SON CHAMP D'APPLICATION NE PEUT ÊTRE ÉLARGI EXCEPTÉ EN VERTU D'UN ACCORD ÉCRIT SIGNÉ PAR UN REPRÉSENTANT AUTORISÉ DU FABRICANT QUI FAIT EXPRESSÉMENT RÉFÉRENCE À LA PRÉSENTE GARANTIE.

Exclusion d'autres garanties : LE FABRICANT N'ACCORDE AUCUNE AUTRE GARANTIE, EXPRESSE OU TACITE. LES GARANTIES IMPLICITES DE QUALITÉ MARCHANDE OU D'APTITUDE À UN USAGE PARTICULIER SONT EXCLUES ET NE S'APPLIQUERONT PAS AU PRODUIT. LE SEUL ET UNIQUE RECOURS DE L'ACHETEUR CONTRE LE FABRICANT CONCERNANT LE PRODUIT ET SON UTILISATION, QUEL QUE SOIT LE FONDEMENT DE RESPONSABILITÉ INVOQUÉ (RESPONSABILITÉ CONTRACTUELLE, DÉLICTEUELLE OU AUTRE), SERA LE REMPLACEMENT OU LA RÉPARATION DU PRODUIT COMME INDIQUÉ CI-DESSUS.

Limitation de responsabilité : EN CAS DE RESPONSABILITÉ POUR DES DOMMAGES DÉCOULANT DE LA PRÉSENTE GARANTIE LIMITÉE OU TOUTE AUTRE RÉCLAMATION RELATIVE AUX PRODUITS DU FABRICANT, LA RESPONSABILITÉ DU FABRICANT SE LIMITERA AU MONTANT PAYÉ POUR LE PRODUIT LORS DE L'ACHAT INITIAL. LE FABRICANT NE SERA EN AUCUN CAS RESPONSABLE DU MANQUE À GAGNER, DU COÛT DE L'ÉQUIPEMENT DE SUBSTITUTION OU DE LA MAIN-D'ŒUVRE, DES DOMMAGES MATÉRIELS OU D'AUTRES DOMMAGES PARTICULIERS, INDIRECTS OU ACCESSOIRES FONDÉS SUR UNE RÉCLAMATION POUR RUPTURE DE CONTRAT, MAUVAISE INSTALLATION, NÉGLIGENCE OU TOUTE AUTRE RÉCLAMATION, MÊME SI LE FABRICANT OU L'UN DE SES REPRÉSENTANTS A ÉTÉ INFORMÉ DE L'ÉVENTUALITÉ DE TELS DOMMAGES. LE FABRICANT NE S'ACQUITTERA D'AUCUNE AUTRE OBLIGATION OU RESPONSABILITÉ QUANT AU PRODUIT OU SA VENTE, SON FONCTIONNEMENT ET SON UTILISATION, ET N'ADMET NI N'AUTORISE L'HYPOTHÈSE DE TOUTE AUTRE OBLIGATION OU RESPONSABILITÉ EN RELATION AVEC CE PRODUIT.

La présente garantie limitée vous accorde des droits juridiques spécifiques. Vous pouvez également jouir d'autres droits, lesquels peuvent varier d'un état à l'autre. Certains États n'autorisent pas l'exclusion ou la limitation de dommages indirects ou accessoires.



833 West Diamond St  
Boise, Idaho 83705

**Le Service Client**

États-Unis 800.635.5900

Royaume-Uni +44 (0)113 237 5340

AUS +61 (0)3 63322444

[www.eccoesg.com](http://www.eccoesg.com)

An ECCO SAFETY GROUP™ Brand  
[www.eccosafetygroup.com](http://www.eccosafetygroup.com)