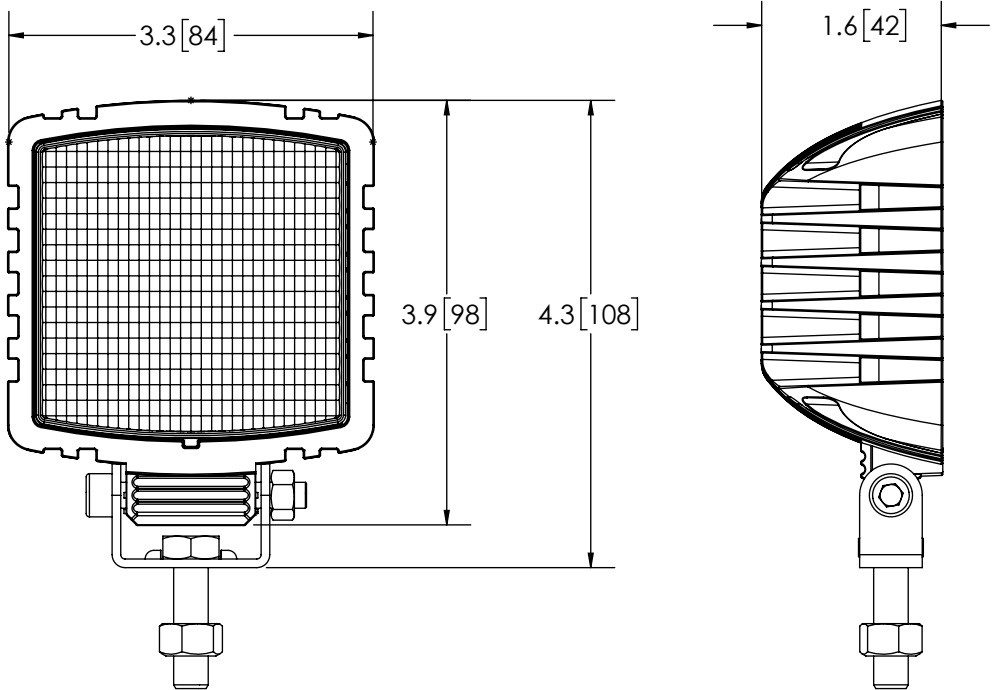


REVISION HISTORY		
REV.	DESCRIPTION	DATE
D	REVISE PER LM14226	2016-03-01
E	REVISE PER LM14226	2016-04-26
F	REVISE PER LM14226	2017-01-18


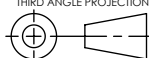


SPECIFICATIONS

- CERTIFICATIONS: **CE**; ECE R10; IP67
 Note: Unique components, accessories, and hardware kits are not typically included in the Product Certification Test Protocols. Unless otherwise Specified, the Product Certifications referred to herein are predicated upon the base product model configuration.
- RAW LUMENS: 760 lumens
- EFFECTIVE LUMENS: 724 lumens
- ILLUMINANCE: 0.94 lux
- PEAK BEAM INTENSITY: 870 Candela
- EFFICACY: 87.5 lm/W
- CORRELATED COLOR TEMPERATURE: 6538K
- VOLTAGE (NOMINAL): 12 to 24 VDC
- VOLTAGE (EXTREME): 10 to 30 VDC
- CURRENT (PEAK): 0.6A (@ 12 VDC NOMINAL)
- POWER (MAXIMUM): 8.3W (@ 12 VDC NOMINAL)
- TEMPERATURE RANGE: -22°F (-30°C) TO 122°F (50°C)
- CONNECTION: 2-18 AWG CONDUCTOR CABLE
- MOUNTING: 1 BOLT
- HOUSING MATERIAL: ALUMINUM
- LENS MATERIAL: POLYCARBONATE
- PRODUCT WEIGHT: 1.5 LBS (0.68 Kg)

DISCLAIMER
 DIMENSIONS, ILLUSTRATIONS, SPECIFICATIONS, AND CERTIFICATIONS CONTAINED IN THIS DOCUMENT ARE TYPICAL OF THE ACTUAL PRODUCT AND ARE SUBJECT TO CHANGE. ECCO ENGINEERING DOES NOT MAINTAIN FORMAL DESIGN CONTROL OF THIS PRODUCT.

NOTES:
 1. ROHS COMPLIANT
 2. DIMENSIONS IN INCHES[MILLIMETERS (FOR REFERENCE)]

SCALE 1:1.75		APPROVALS		DATE		 www.eccolink.com Americas (800) 635-5900 Europe +44 (0)113 237 5340 Asia Pacific +61 (0)3 63322444	
CAD GENERATED DRAWING DO NOT MANUALLY UPDATE. MODEL REFERENCED:A		DRAWN BY		2016-12-21			
TOLERANCES ARE IN INCHES, AND MILLIMETERS TOLERANCES UNLESS OTHERWISE STATED ARE:		CHECKED ABB		2016-12-22		MECH. ENG.	
MILLIMETERS DECIMALS XX. ± 1.0mm XX.X ± 0.5mm		INCHES DECIMALS X.X ± 0.1 X.XX ± 0.04 X.XXX ± 0.02		ANGLES ± 0.5°		ELEC. ENG. JES 2017-01-16	
				FRACTIONS ± 1/64		TEST ENG. JRT 2017-01-11	
						SALES. LAT 2017-01-11	
NON DISCLOSURE AGREEMENT		THIRD ANGLE PROJECTION		SIZE: A		DWG. NO. EW2471	
THIS DRAWING AND THE DESIGN IT DISCLOSES ARE THE PRIVATE PROPERTY OF ESG AND IS ISSUED IN CONFIDENCE FOR ENGINEERING INFORMATION ONLY. THE DRAWING AND / OR DESIGN MAY NOT BE USED, COPIED, REPRODUCED, OR OTHERWISE DISCLOSED IN PART OR AS A WHOLE TO OUTSIDERS OR USED FOR ANY OTHER PURPOSE WITHOUT THE PRIOR WRITTEN CONSENT OF ESG. THE DRAWING IS SUBJECT TO RECALL AT ANY TIME. YOUR POSSESSION OF THIS DOCUMENT CONSTITUTES ACCEPTANCE OF THESE TERMS. © 2014 ECCO				Electronically Controlled Use Latest Copy		PROJECT: LM14226	
				SHEET 1 OF 1		Date Created: 2014-09-23	
						REV. F	