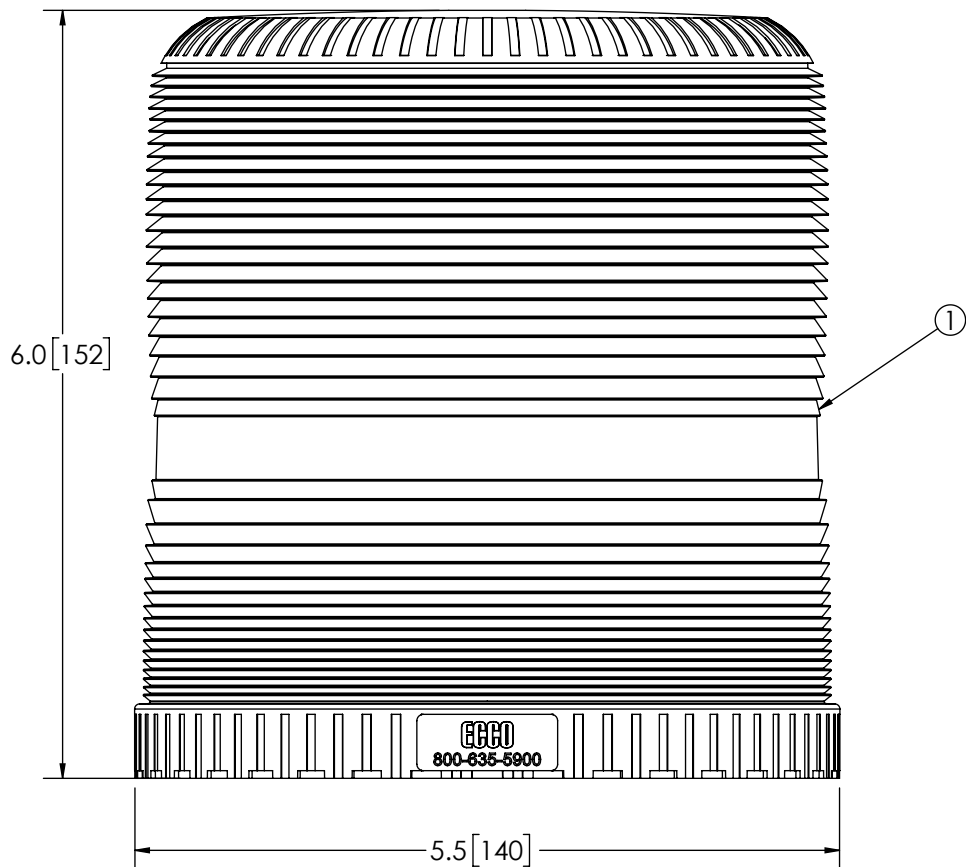


REVISION HISTORY		
REV.	DESCRIPTION	DATE
01	PRELIMINARY RELEASE PER CR# 2024	2006-02-01
A	INITIAL RELEASE PER CR# 2024	2006-06-05
B	REVISED PER	2019-05-20



COLOR CHART	
FGS NO.	COLOR
R6070LA	AMBER
R6070LB	BLUE
R6070LC	CLEAR
R6070LG	GREEN
R6070LR	RED

ITEM NO.	QTY.	DESCRIPTION	COMMENTS
1	1	LENS, 6", 6500	SEE CHART
2	1	LABEL, WARNING, STROBE	NOT SHOWN
3	1	BOX, STROBE, 6000, 6 1/2 X 6 1/2 X 8 3/4	NOT SHOWN

- NOTES:
1. MATERIAL: POLYCARBONATE
 2. COLOR: SEE CHART
 3. WEIGHT: 0.56 LBS
 4. DIMENSIONS IN INCHES [MILLIMETERS (FOR REFERENCE)]

SCALE 1:1.5	APPROVALS	DATE																																								
CAD GENERATED DRAWING FROM SOLID MODEL: REV. A DO NOT MANUALLY UPDATE.	DRAWN BY: ABB	2019-05-17																																								
TOLERANCES ARE IN INCHES, AND MILLIMETERS UNLESS OTHERWISE STATED ARE:	CHECKED: MDH	2019-05-20																																								
<table border="1"> <thead> <tr> <th colspan="4">- MILLIMETERS DECIMALS</th> <th colspan="2">- INCHES DECIMALS</th> <th colspan="2">- ANGLES</th> </tr> <tr> <th>0-.20</th> <th>>.20-1.00</th> <th>>1.00-2.00</th> <th>>2.00</th> <th>.X ± .1</th> <th>.XX ± .01</th> <th colspan="2">± 0.5°</th> </tr> </thead> <tbody> <tr> <td>XX ± .5</td> <td>.7</td> <td>1.0</td> <td>2.0</td> <td>.XX ± .01</td> <td></td> <td colspan="2"></td> </tr> <tr> <td>XX.X ± .2</td> <td>.3</td> <td>.5</td> <td>1.0</td> <td>.XXX ± .005</td> <td>FRACTIONS</td> <td colspan="2"></td> </tr> <tr> <td>XX.XX ± .1</td> <td>.2</td> <td>.3</td> <td>.6</td> <td>.XXXX ± .0030</td> <td>± 1/64</td> <td colspan="2"></td> </tr> </tbody> </table>	- MILLIMETERS DECIMALS				- INCHES DECIMALS		- ANGLES		0-.20	>.20-1.00	>1.00-2.00	>2.00	.X ± .1	.XX ± .01	± 0.5°		XX ± .5	.7	1.0	2.0	.XX ± .01				XX.X ± .2	.3	.5	1.0	.XXX ± .005	FRACTIONS			XX.XX ± .1	.2	.3	.6	.XXXX ± .0030	± 1/64			MECH. ENG.	
- MILLIMETERS DECIMALS				- INCHES DECIMALS		- ANGLES																																				
0-.20	>.20-1.00	>1.00-2.00	>2.00	.X ± .1	.XX ± .01	± 0.5°																																				
XX ± .5	.7	1.0	2.0	.XX ± .01																																						
XX.X ± .2	.3	.5	1.0	.XXX ± .005	FRACTIONS																																					
XX.XX ± .1	.2	.3	.6	.XXXX ± .0030	± 1/64																																					
	ELEC. ENG.																																									
	MFG. ENG. KLR	2019-05-20																																								
	Test. ENG.																																									
THIRD ANGLE PROJECTION	Electronically Controlled Use Latest Copy																																									



United States
1-800-635-5900
Americas@eccogroup.com
United Kingdom
+44 (0)113 237 5340
Europe@eccogroup.com
Australia
+61 (0)3 63322444
AsiaPacific@eccogroup.com

REPLACEMENT, LENS, 6"

SIZE: A	DWG. NO. R6070LX	REV. B
SHEET 1 OF 1	Project: CR#2024	Date Created: 2006-02-01

PROPRIETARY AND CONFIDENTIAL INFORMATION
THIS DRAWING AND THE DESIGN AND OTHER INFORMATION DISCLOSED HEREIN ARE THE PROPERTY OF ELECTRONIC CONTROLS COMPANY AND/OR ITS ECCO SAFETY GROUP AFFILIATES ("ESG") AND IS ISSUED IN CONFIDENCE TO RECIPIENT FOR ENGINEERING INFORMATION PURPOSES ONLY. THIS DRAWING AND THE DESIGN AND OTHER INFORMATION DISCLOSED HEREIN MAY NOT BE USED, COPIED, REPRODUCED OR OTHERWISE DISCLOSED IN PART OR IN WHOLE TO THIRD PARTIES OR USED FOR ANY OTHER PURPOSE WITHOUT PRIOR ESG WRITTEN CONSENT. ESG RESERVES ALL PATENT, COPYRIGHT, TRADEMARK AND OTHER PROPRIETARY RIGHTS TO THIS DOCUMENT, INCLUDING ALL DESIGN, MANUFACTURING, REPRODUCTION, USE AND SALES RIGHTS THERETO. THIS DRAWING IS SUBJECT TO RECALL BY ESG AT ANY TIME, AND YOUR POSSESSION AND/OR USE CONSTITUTES ACCEPTANCE OF THESE TERMS.
©2006 ELECTRONIC CONTROLS COMPANY