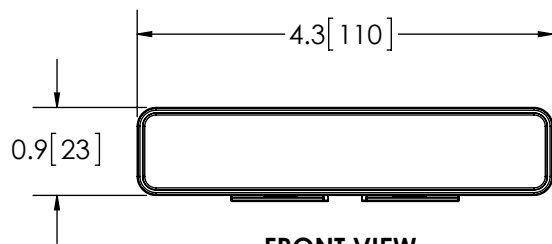
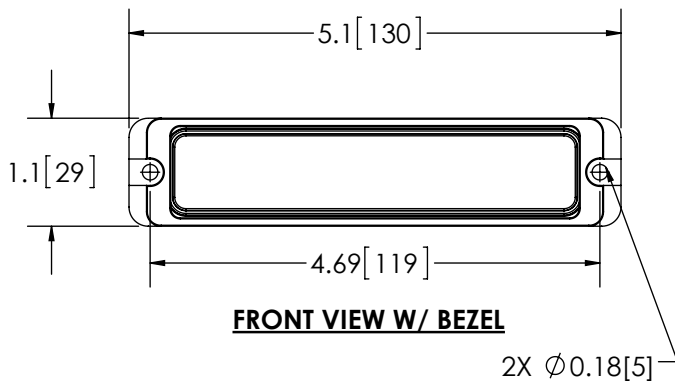


TOP VIEW W/ BRACKET



FRONT VIEW



FRONT VIEW W/ BEZEL

2X Ø0.18[5]

NOTES:
1. DIMENSIONS IN INCHES [MILLIMETERS (FOR REFERENCE)]


REVISION HISTORY		
REV.	DESCRIPTION	DATE
03	REVISED PER LM14253	2015-05-15
A	INITIAL RELEASE PER LM14253	2015-06-05
B	REVISE PER LM14253	2015-10-09

SPECIFICATIONS

- CERTIFICATIONS: ECE R10; SAE J595 (NOV 2011) CLASS 1; CA Title 13 CLASS B; Reg 65
Note: Unique components, accessories, and hardware kits are not typically included in the Product Certification Test Protocols. Unless otherwise Specified, the Product Certifications referred to herein are predicated upon the base product model configuration.
- FLASH MODE: SINGLE : 75 ± 5 FLASHES PER MINUTE
SINGLE : 120 ± 5 FLASHES PER MINUTE
DOUBLE : 75 ± 5 FLASHES PER MINUTE
- VOLTAGE (NOMINAL): 12 to 24 VDC
- VOLTAGE (EXTREME): 9.0 to 32.0 VDC
- CURRENT (PEAK): 1.25A (@ 12 VDC NOMINAL)
- POWER (MAXIMUM): 16.0W (@ 12 VDC NOMINAL)
- TEMPERATURE RANGE: -22°F (-30°C) TO 122°F (50°C)
- CONNECTION: 5 - 22 AWG WIRES
- MOUNTING: 2-BOLT
- BASE MATERIAL: ALUMINUM
- LENS MATERIAL: POLYCARBONATE
- PRODUCT WEIGHT: 0.2 LBS (0.09 Kg)

FGS PRODUCT CHART

FGS P/N	COLOR	SAE J595	CAT13	ECE R65
ED3712AB	AMB/BLUE	CLASS I; AMB & BLU	CLASS B; AMB & BLU	CLASS I; AMB & BLU
ED3712AC	AMB/CLR	CLASS I; AMB & CLR	CLASS B; AMBER	CLASS I; AMBER
ED3712AG	AMB/GRN	CLASS I; AMBER	CLASS B; AMBER	CLASS I; AMBER
ED3712AR	AMB/RED	CLASS I; AMB & RED	CLASS B; AMB & RED	CLASS I; AMB & RED
ED3712BC	BLUE/CLR	CLASS I; BLUE & CLR	CLASS B; BLUE	CLASS I; BLUE
ED3712RB	RED/BLUE	CLASS I; RED & BLU	CLASS B; RED & BLU	CLASS I; RED & BLU
ED3712RC	RED/CLR	CLASS I; RED & CLR	CLASS B; RED	CLASS I; RED

SCALE 1:2		APPROVALS	DATE	 www.eccolink.com Americas (800) 635-5900 Europe +44 (0)113 237 5340 Asia Pacific +61 (0)3 63322444											
CAD GENERATED DRAWING DO NOT MANUALLY UPDATE. MODEL REFERENCED: A		DRAWN BY JDT	2015-09-16												
TOLERANCES ARE IN INCHES, AND MILLIMETERS TOLERANCES UNLESS OTHERWISE STATED ARE:		CHECKED ABB	2015-09-18												
<table border="1"> <tr> <th>MILLIMETERS DECIMALS</th> <th>INCHES DECIMALS</th> <th>ANGLES</th> </tr> <tr> <td>XX. ± 1.0mm</td> <td>X.X ± 0.1</td> <td>± 0.5°</td> </tr> <tr> <td>XX.X ± 0.5mm</td> <td>X.XX ± 0.04</td> <td>FRACTIONS</td> </tr> <tr> <td></td> <td>X.XXX ± 0.02</td> <td>± 1/64</td> </tr> </table>		MILLIMETERS DECIMALS	INCHES DECIMALS		ANGLES	XX. ± 1.0mm	X.X ± 0.1	± 0.5°	XX.X ± 0.5mm	X.XX ± 0.04	FRACTIONS		X.XXX ± 0.02	± 1/64	MECH. ENG. JLA
MILLIMETERS DECIMALS	INCHES DECIMALS	ANGLES													
XX. ± 1.0mm	X.X ± 0.1	± 0.5°													
XX.X ± 0.5mm	X.XX ± 0.04	FRACTIONS													
	X.XXX ± 0.02	± 1/64													
		ELEC. ENG. SPO	2015-09-18												
		TEST ENG. JRT	2015-09-17												
		SALES. GLB	2015-09-23												
NON DISCLOSURE AGREEMENT THIS DRAWING AND THE DESIGN IT DISCLOSES ARE THE PRIVATE PROPERTY OF ESG AND IS ISSUED IN CONFIDENCE FOR ENGINEERING INFORMATION ONLY. THE DRAWING AND / OR DESIGN MAY NOT BE USED, COPIED, REPRODUCED, OR OTHERWISE DISCLOSED IN PART OR AS A WHOLE TO OUTSIDERS OR USED FOR ANY OTHER PURPOSE WITHOUT THE PRIOR WRITTEN CONSENT OF ESG. THE DRAWING IS SUBJECT TO RECALL AT ANY TIME. YOUR POSSESSION OF THIS DOCUMENT CONSTITUTES ACCEPTANCE OF THESE TERMS. © 2015 ECCO			12 LED HEAD, MULTIMOUNT, 12-24V CUSTOMER PART NO. SEE CHART PRODUCT SERIES: ED3712												
THIRD ANGLE PROJECTION		SIZE: A DWG. NO. ED3712XX REV. B Electronically Controlled Use Latest Copy SHEET 1 OF 1 Project: LM14253 Date Created: 2015-04-30													