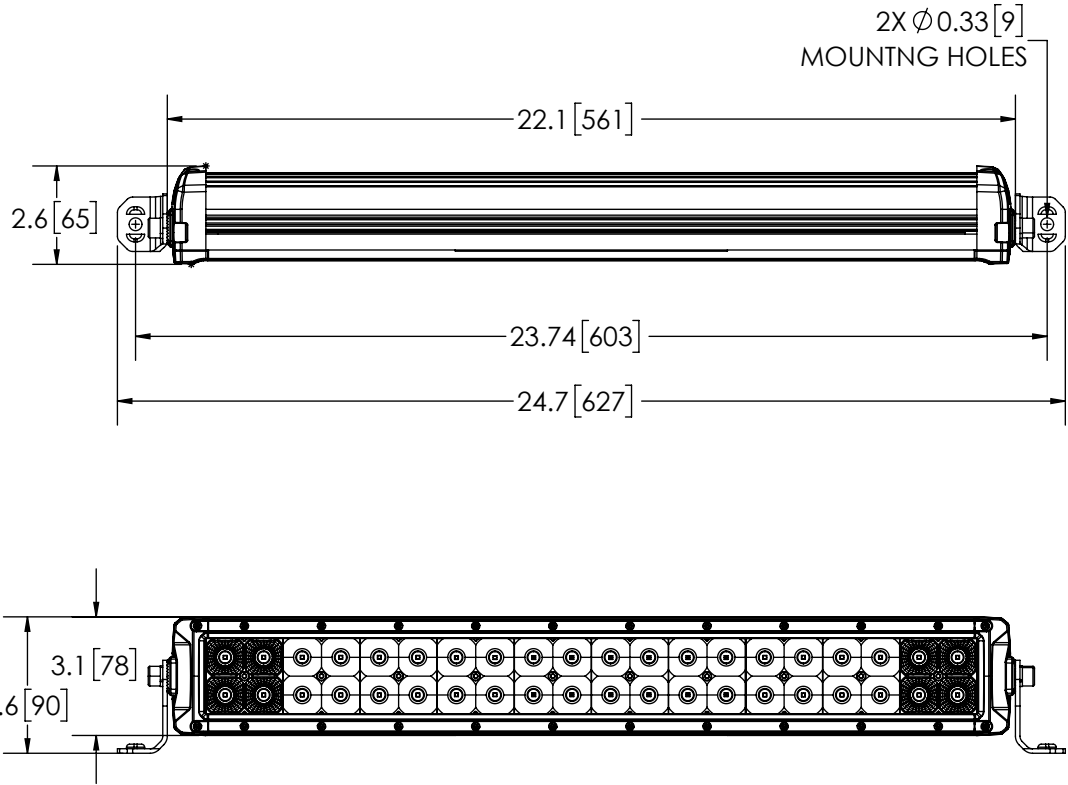


REVISION HISTORY		
REV.	DESCRIPTION	DATE
03	REVISED PER EL0145	2019-11-18
A	INITIAL RELEASE PER EL0145	2019-11-19
B	REVISED PER EL0145	2019-11-22



SPECIFICATIONS


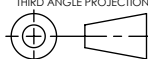
- CERTIFICATIONS: **CE**; IP67
 Note: Unique components, accessories, and hardware kits are not typically included in the Product Certification Test Protocols. Unless otherwise Specified, the Product Certifications referred to herein are predicated upon the base product model configuration.
- RAW LUMENS: 4740 lumens
- EFFECTIVE LUMENS: 4489 lumens
- ILLUMINANCE (@100 FT): 74.7 lux
- PEAK BEAM INTENSITY: 70441 candela
- VOLTAGE (NOMINAL): 12-24 VDC
- VOLTAGE (EXTREME): 9-32 VDC
- CURRENT (PEAK): 4.3A (@ 12 VDC NOMINAL)
- POWER (MAXIMUM): 59.3W (@ 12 VDC NOMINAL)
- TEMPERATURE RANGE: -22°F (-30°C) TO 122°F (50°C)
- CONNECTION: 2 CONDUCTOR CABLE
- MOUNTING: BRACKET
- HOUSING MATERIAL: ALUMINUM
- LENS MATERIAL: POLYCARBONATE
- PRODUCT WEIGHT: 5.24 LBS (2.36 Kg)

DISCLAIMER

DIMENSIONS, ILLUSTRATIONS, SPECIFICATIONS, AND CERTIFICATIONS CONTAINED IN THIS DOCUMENT ARE TYPICAL OF THE ACTUAL PRODUCT AND ARE SUBJECT TO CHANGE. ECCO ENGINEERING DOES NOT MAINTAIN FORMAL DESIGN CONTROL OF THIS PRODUCT.

MOUNTING DISCLAIMER
 MOUNTING MEASUREMENT IS FOR REFERENCE ONLY.
 MEASURE BEFORE DRILLING.

- NOTES:**
- ROHS COMPLIANT
 - CABLE NOT SHOWN FOR CLARITY:
 BLACK WIRE - GROUND(-)
 RED WIRE - POWER(+)
 - CABLE DIMENSION IS 38.50 ± 1.00 [378 ± 25] FROM CABLE EXIT TO END OF WIRES
 - DIMENSIONS IN INCHES [MILLIMETERS (FOR REFERENCE)]

SCALE 1:5		APPROVALS	DATE	 ECCO [®] www.eccolink.com Americas (800) 635-5900 Europe +44 (0)113 237 5340 Asia Pacific +61 (0)3 63322444
CAD GENERATED DRAWING DO NOT MANUALLY UPDATE. MODEL REFERENCED: 01		DRAWN BY MDH	2019-11-21	
TOLERANCES ARE IN INCHES, AND MILLIMETERS TOLERANCES UNLESS OTHERWISE STATED ARE:		CHECKED ABB	2019-11-22	UTILITY BAR, LED, 25", DOUBLE, COMBO, 12-24V CUSTOMER PART NO. EW3225 PRODUCT SERIES: EW3200
MILLIMETERS DECIMALS XX. ± 1.0mm XX.X ± 0.5mm	INCHES DECIMALS X.X ± 0.1 X.XX ± 0.04 X.XXX ± 0.02	MECH. ENG.		
THIRD ANGLE PROJECTION		ELEC. ENG.		SIZE: A DWG. NO. EW3225 REV. B SHEET 1 OF 1 Project: EL0145 Date Created: 2019-10-10
		TEST ENG. RM	2019-11-22	
		SALES. ARS	2019-11-21	Electronically Controlled Use Latest Copy

PROPRIETARY AND CONFIDENTIAL INFORMATION
 THIS DRAWING AND THE DESIGN AND OTHER INFORMATION DISCLOSED HEREIN ARE THE PROPERTY OF ELECTRONIC CONTROLS COMPANY AND/OR ITS ECCO SAFETY GROUP AFFILIATES ("ECCO") AND IS ISSUED IN CONFIDENCE TO RECIPIENT FOR ENGINEERING INFORMATION PURPOSES ONLY. THIS DRAWING AND THE DESIGN AND OTHER INFORMATION DISCLOSED HEREIN MAY NOT BE USED, COPIED, REPRODUCED OR OTHERWISE DISCLOSED IN PART OR IN WHOLE TO THIRD PARTIES OR USED FOR ANY OTHER PURPOSE WITHOUT PRIOR ECCO WRITTEN CONSENT. ECCO RESERVES ALL PATENT, COPYRIGHT, TRADEMARK AND OTHER PROPRIETARY RIGHTS TO THIS DOCUMENT, INCLUDING ALL DESIGN, MANUFACTURING, REPRODUCTION, USE AND SALES RIGHTS THERETO. THIS DRAWING IS SUBJECT TO RECALL BY ECCO AT ANY TIME, AND YOUR POSSESSION AND/OR USE CONSTITUTES ACCEPTANCE OF THESE TERMS. ©2019 ELECTRONIC CONTROLS COMPANY