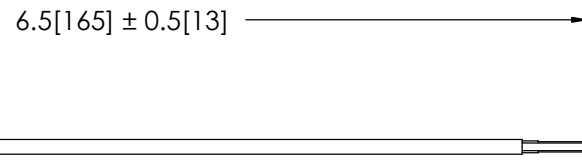
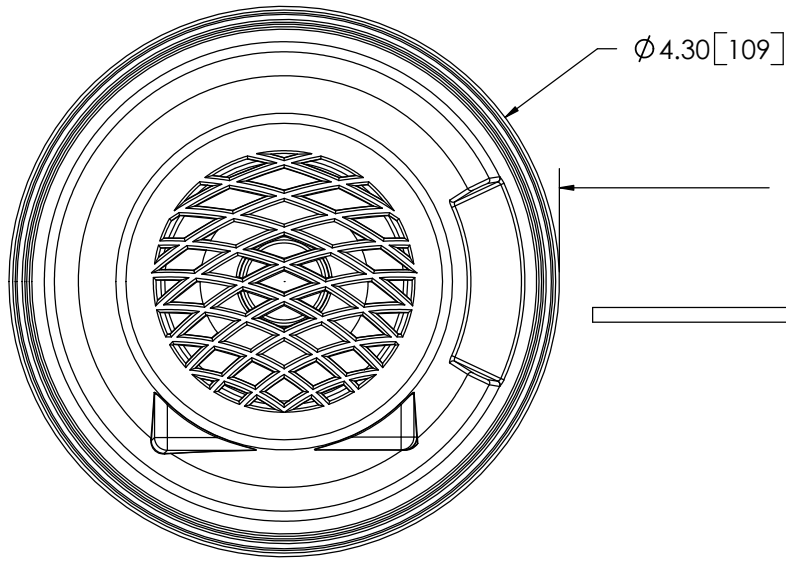


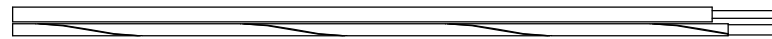
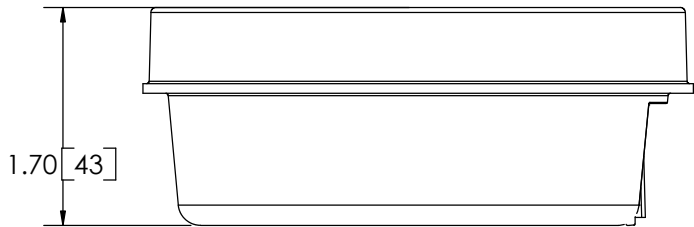
8 7 6 5 4 3 2 1

REVISION HISTORY		
REV.	DESCRIPTION	DATE
01	PRELIMINARY RELEASE PER P3# 04003	2004-08-26
A	INITIAL RELEASE PER P3# 04003	2005-02-14



SPECIFICATIONS

- CERTIFICATIONS: **CE**; e
 Note: Unique components, accessories, and hardware kits are not typically included in the Product Certification Test Protocols. Unless otherwise Specified, the Product Certifications referred to herein are predicated upon the base product model configuration.
- SOUND PRESSURE LEVEL: 82 to 102 ± 4 dB (A) @ 1.2m (4ft)
- VOLTAGE (NOMINAL): 12 to 24 VDC
- VOLTAGE (EXTREME): 9.0 to 32.0 VDC
- CURRENT (NOMINAL): 0.4 A
- POWER (NOMINAL): 9 W
- TEMPERATURE RANGE: -40°F (-40°C) TO 185°F (85°C)
- FREQUENCY: 960 to 1440 Hz
- CONNECTION: 2-16 AWG WIRES
- RECOMMENDED MOUNTING: GROMMET MOUNTING, STANDARD 4 1/2" HOLE
- HOUSING MATERIAL: GLASS FILLED NYLON
- PRODUCT WEIGHT: 1.2 LBS



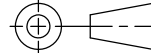
NOTES:
1. DIMENSIONS IN INCHES [MILLIMETERS]

NON DISCLOSURE AGREEMENT

THIS DRAWING AND THE DESIGN IT DISCLOSES ARE THE PRIVATE PROPERTY OF ECCO AND IS ISSUED IN CONFIDENCE FOR ENGINEERING INFORMATION ONLY. THE DRAWING AND / OR DESIGN MAY NOT BE USED, COPIED, REPRODUCED, OR OTHERWISE DISCLOSED IN PART OR AS A WHOLE TO OUTSIDERS OR USED FOR ANY OTHER PURPOSE WITHOUT THE PRIOR WRITTEN CONSENT OF ECCO. THE DRAWING IS SUBJECT TO RECALL AT ANY TIME. YOUR POSSESSION OF THIS DOCUMENT CONSTITUTES ACCEPTANCE OF THESE TERMS. © 2005 ECCO

CAD GENERATED DRAWING
DO NOT MANUALLY UPDATE.
MODEL REFERENCED: A

THIRD ANGLE PROJECTION



APPROVALS		DATE
DRAWN BY	RAM	
CHECKED		
ELEC. ENG.		
MECH. ENG.		
TEST ENG.		
SALES		



Electronic Controls Co.
An Employee Owned Company
800-635-5900 P.O. BOX 7246, BOISE, ID 83707

ALARM, SMART, 82-102DBA, 12-24VDC

Project: 04003 Date Created: 2004-08-26

SIZE DWG. NO. SA955 REV. A

SCALE 1:1.5 PREPARED PER ASME 14.100M-1998 / ASME Y14.1-1995 SHEET 1 OF 1

8 7 6 5 4 3 2 1