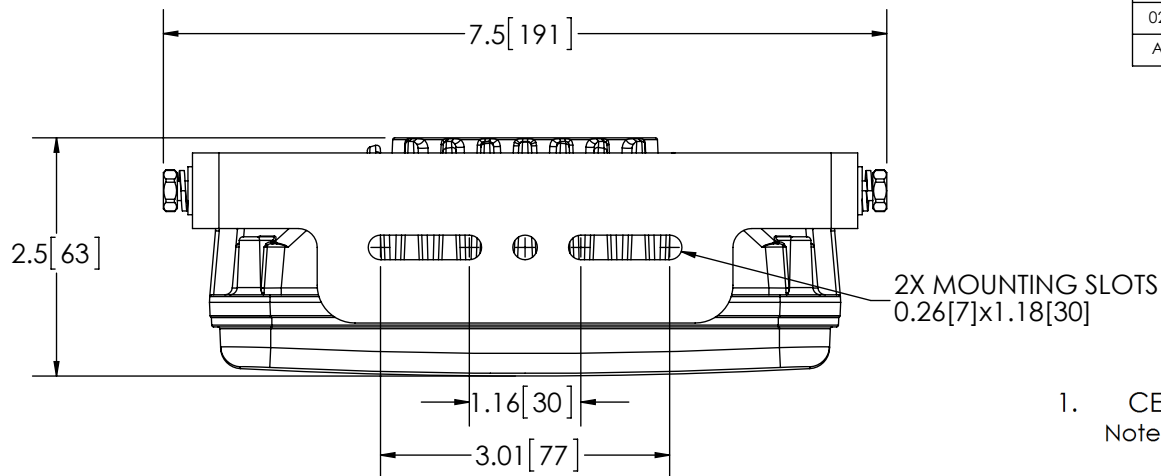
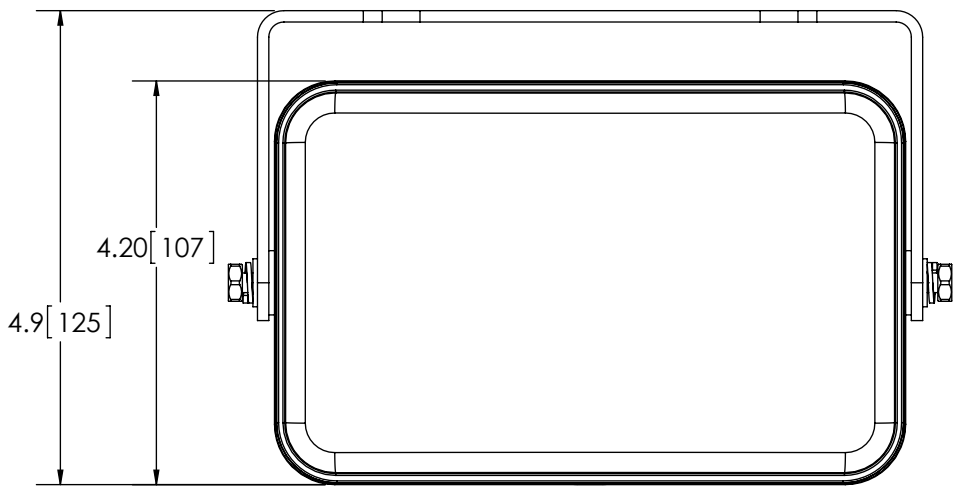


REVISION HISTORY		
REV.	DESCRIPTION	DATE
01	PRELIMINARY RELEASE PER EC3410	2013-02-08
02	REVISED PER EC3410	2013-02-27
A	INITIAL RELEASE PER EC3410	2013-03-04



SPECIFICATIONS

- CERTIFICATIONS:
Note: Unique components, accessories, and hardware kits are not typically included in the Product Certification Test Protocols. Unless otherwise Specified, the Product Certifications referred to herein are predicated upon the base product model configuration.
- LUMINOUS FLUX: 3000 lumens
- ILLUMINANCE: lux
- PEAK BEAM INTENSITY: Candela
- EFFICACY: 89 lm/W
- CORRELATED COLOR TEMPERATURE: 6875K
- VOLTAGE (NOMINAL): 12 to 24 VDC
- VOLTAGE (EXTREME): 10 to 30 VDC
- CURRENT (PEAK): 2.6A (@ 12 VDC NOMINAL)
- POWER (MAXIMUM): 35.9W (@ 12 VDC NOMINAL)
- TEMPERATURE RANGE: -22°F (-30°C) TO 122°F (50°C)
- CONNECTION: 2 CONDUCTOR CABLE
- MOUNTING: BRACKET MOUNT
- HOUSING MATERIAL: ALUMINUM
- LENS MATERIAL: POLYCARBONATE
- PRODUCT WEIGHT: LBS (0.0 Kg)



NOTES:
1. DIMENSIONS IN INCHES[MILLIMETERS (FOR REFERENCE)]

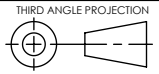
SCALE 1:2		APPROVALS	DATE
CAD GENERATED DRAWING DO NOT MANUALLY UPDATE. MODEL REFERENCED:01		DRAWN BY MDH	2013-02-27
		CHECKED BND	2013-02-28
TOLERANCES ARE IN INCHES, AND MILLIMETERS TOLERANCES ARE:		MECH. ENG. JLA	2013-02-27
MILLIMETERS DECIMALS XX. ± 1.0mm XX.X ± 0.5mm	INCHES DECIMALS X.X ± 0.1 X.XX ± 0.04 X.XXX ± 0.02	ELEC. ENG. TJT	2013-02-27
		TEST ENG. JRT	2013-03-01
		SALES. WNH	2013-03-01

ECCO® Electronic Controls Co.
833 West Diamond Street, Boise, ID 83705
800-635-5900
www.eccolink.com

WORK LAMP, 6 LED, RECTANGLE, SPOT, 10-30V

CUSTOMER PART NO. EW2300	PRODUCT SERIES: EW2300
------------------------------------	----------------------------------

NON DISCLOSURE AGREEMENT
THIS DRAWING AND THE DESIGN IT DISCLOSES ARE THE PRIVATE PROPERTY OF ECCO AND IS ISSUED IN CONFIDENCE FOR ENGINEERING INFORMATION ONLY. THE DRAWING AND / OR DESIGN MAY NOT BE USED, COPIED, REPRODUCED, OR OTHERWISE DISCLOSED IN PART OR AS A WHOLE TO OUTSIDERS OR USED FOR ANY OTHER PURPOSE WITHOUT THE PRIOR WRITTEN CONSENT OF ECCO. THE DRAWING IS SUBJECT TO RECALL AT ANY TIME. YOUR POSSESSION OF THIS DOCUMENT CONSTITUTES ACCEPTANCE OF THESE TERMS. © 2013 ECCO



SIZE: A	DWG. NO. EW2300	REV. A
Electronically Controlled Use Latest Copy SHEET 1 OF 1		Project: EC3410 Date Created: 2013-02-08