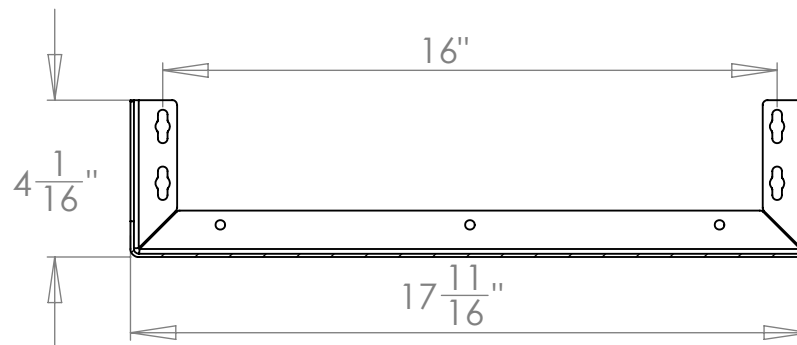
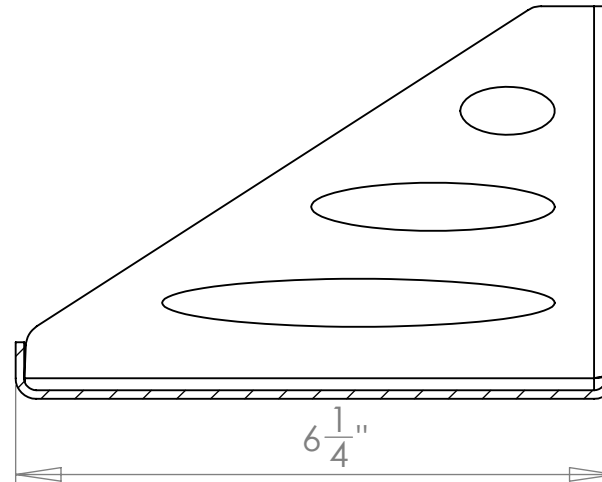
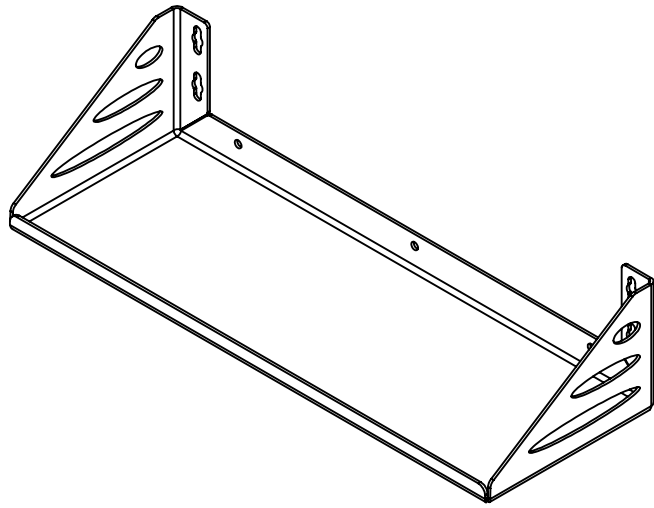


REV.	DESCRIPTION	DATE	APPROVED
------	-------------	------	----------



DRAWN BY: KBH DRAWN DATE: 5/17/2012
 UNLESS OTHERWISE SPECIFIED:
 DIMENSIONS ARE IN INCHES
 TOLERANCES:
 FRACTIONAL $\pm 1/16"$
 ANGULAR: MACH $\pm 0.25^\circ$ BEND $\pm 1.5^\circ$
 TWO PLACE DECIMAL $\pm 0.020"$
 THREE PLACE DECIMAL $\pm 0.005"$
 MATERIAL: See BOM
 DO NOT SCALE DRAWING

Inventive LLC
 In The Ditch Towing Products
 PART NAME
6 in. Deep Wall Shelf
 SIZE PART NO.
A ITD1302 (AL 6in Deep Shelf)
 SHEET SCALE 1:5 SHEET 1 of 1

.090" 5052 Aluminum Sheet