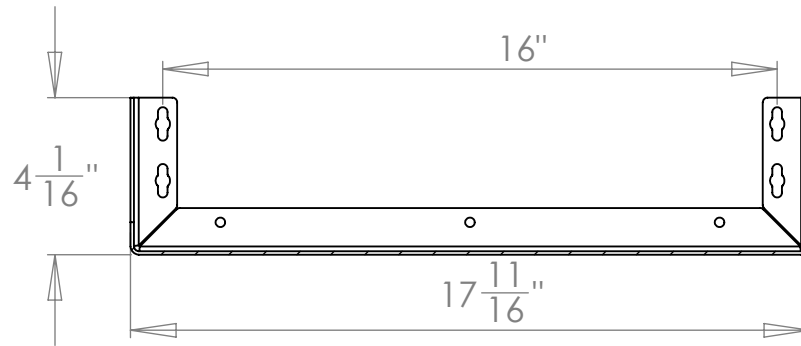
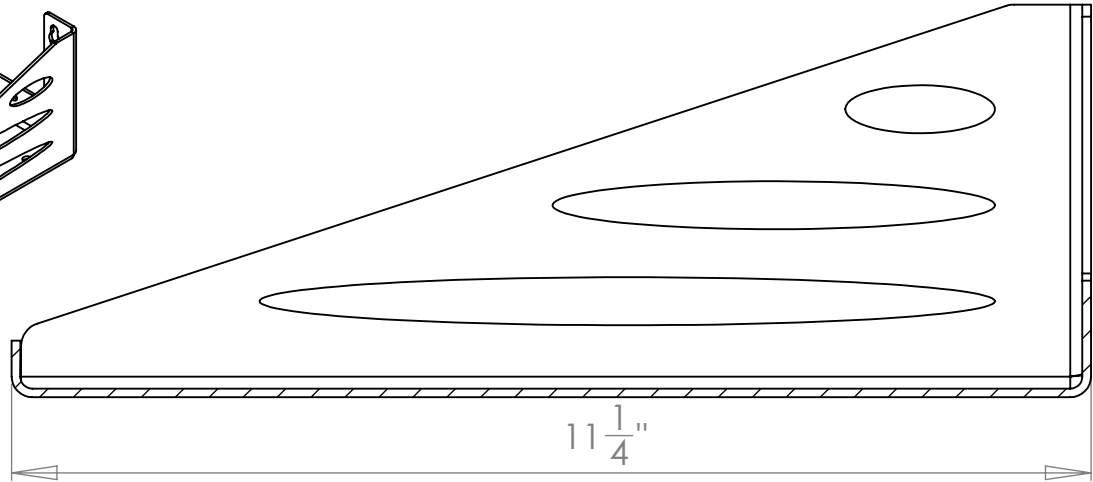
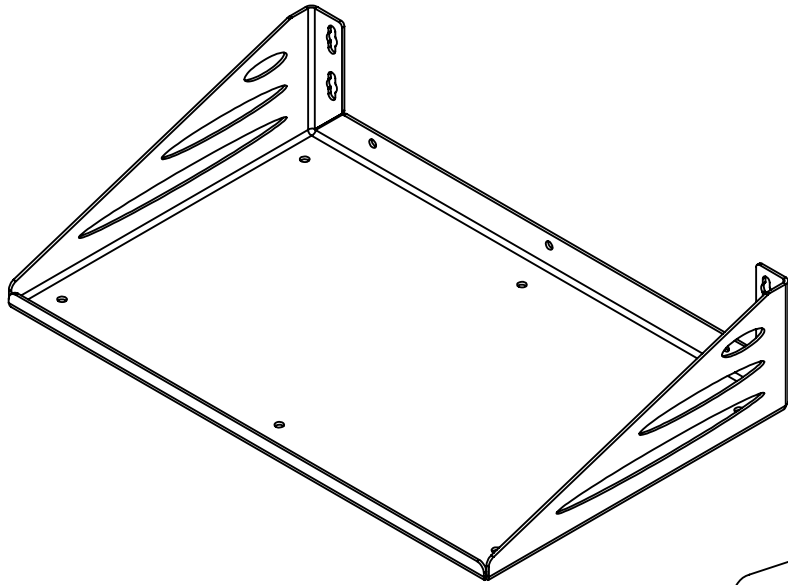


| REV. | DESCRIPTION | DATE | APPROVED |
|------|-------------|------|----------|
|------|-------------|------|----------|



.090" 5052 Aluminum Sheet

DRAWN BY: KBH DRAWN DATE: 5/17/2012
 UNLESS OTHERWISE SPECIFIED:
 DIMENSIONS ARE IN INCHES
 TOLERANCES:
 FRACTIONAL ± 1/16"
 ANGULAR: MACH ± 0.25° BEND ± 1.5°
 TWO PLACE DECIMAL ± 0.020"
 THREE PLACE DECIMAL ± 0.005"
 MATERIAL: See BOM
 DO NOT SCALE DRAWING

Inventive LLC
 In The Ditch Towing Products
 PART NAME
 SS 11" Deep Wall Mount Shelf
 SIZE PART NO.
A ITD1305 (11in Deep Wall Mount Shelf)
 SHEET SCALE 1:5 SHEET 1 of 1