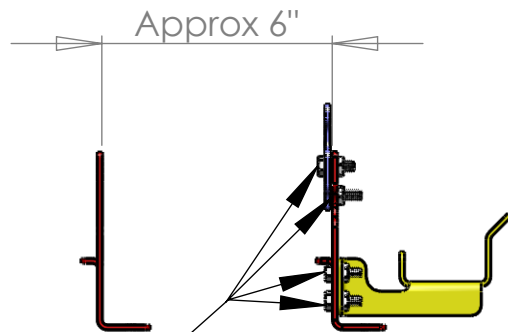


Fits Model 5000 Go Jack



This bolt serves as a stop for the latch

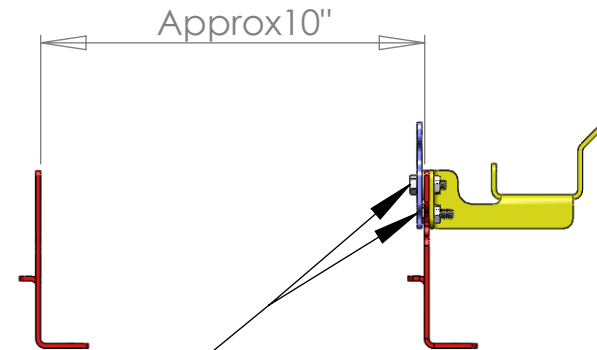


(8) 1/4"-20 x 3/4 hex bolt and nylok nuts

Fits Model 6200 Go Jack



Slot allows for height adjustment to accommodate other Go Jack models.



(4) 1/4"-20 x 3/4" hex bolts and nylok nuts

In The Ditch Towing Products

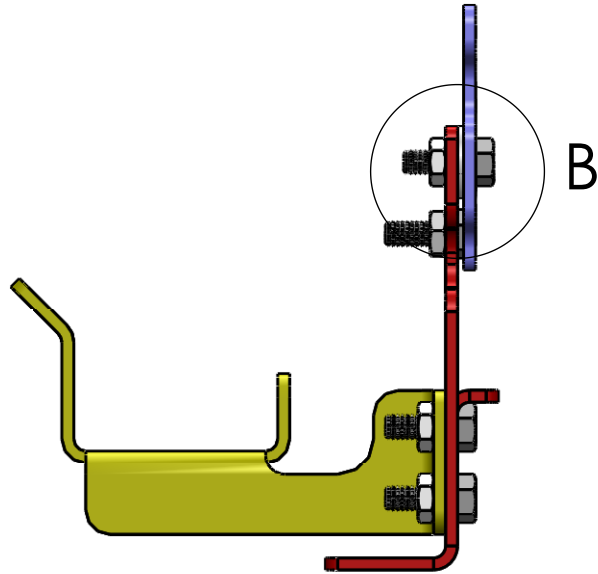
PART NAME
Go Jack Mount

SIZE PART NO.

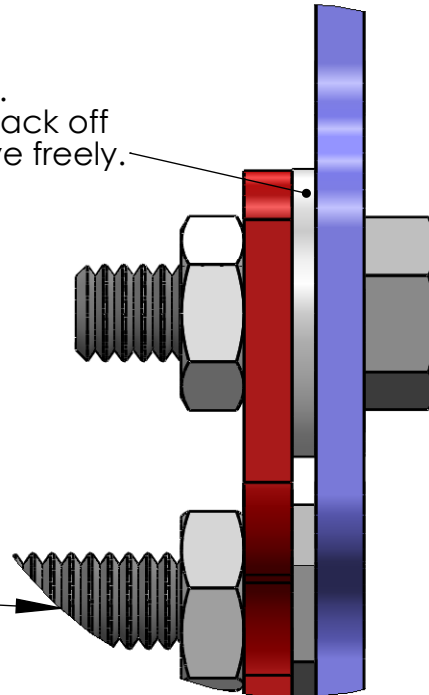
A ITD1244

SHEET SCALE 1:10

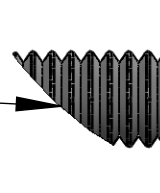
SHEET 1 of 2



1/4" washer between latch and mount body. Tighten nut and then back off until latch starts to move freely.



This bolt acts as a stop when the latch is in the open position.



| | |
|------------------------------|---------------|
| In The Ditch Towing Products | |
| PART NAME | Go Jack Mount |
| SIZE | PART NO. |
| A | ITD1244 |
| SHEET SCALE 1:10 | SHEET 2 of 2 |