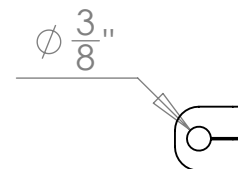
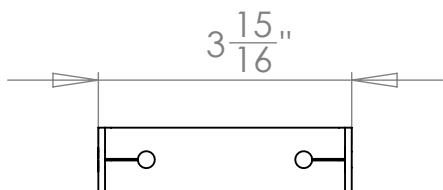
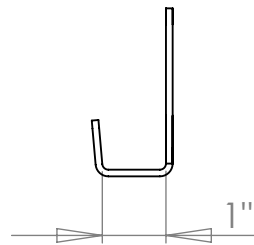
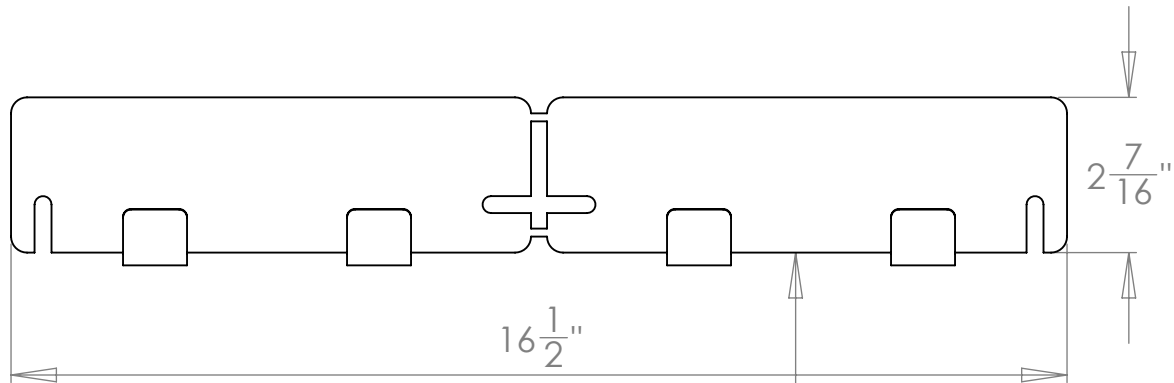
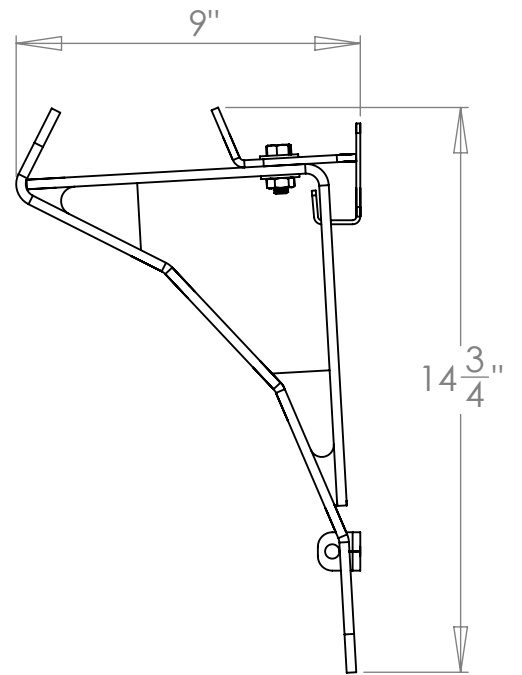
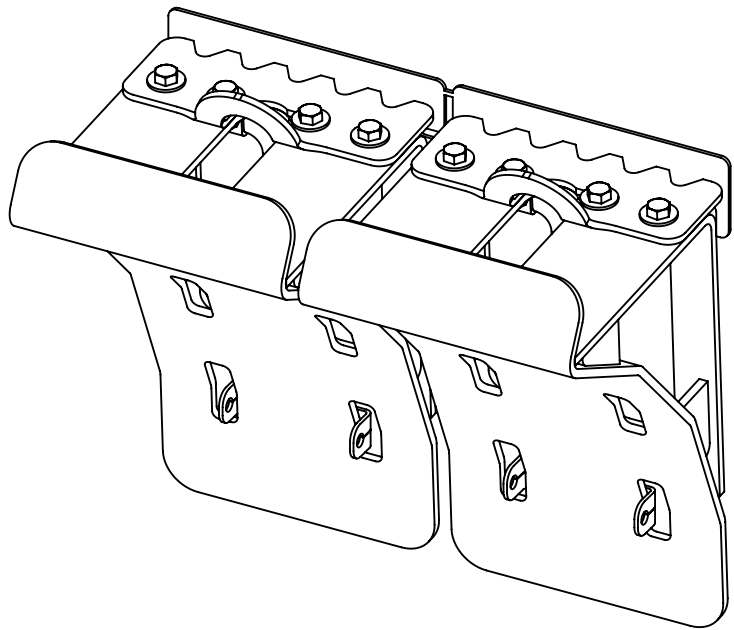


Dimensions are for reference only.

In The Ditch Towing Products	
PART NAME Aluminum Scotch Block	
SIZE PART NO. A ITD1085	
SHEET SCALE 1:5	SHEET 1 of 1



Dimensions are for reference only.

In The Ditch Towing Products

PART NAME
Aluminum Scotch Block Mount

SIZE PART NO.

A ITD1069

SHEET SCALE 1:5

SHEET 1 of 1

5

4

3

2

1