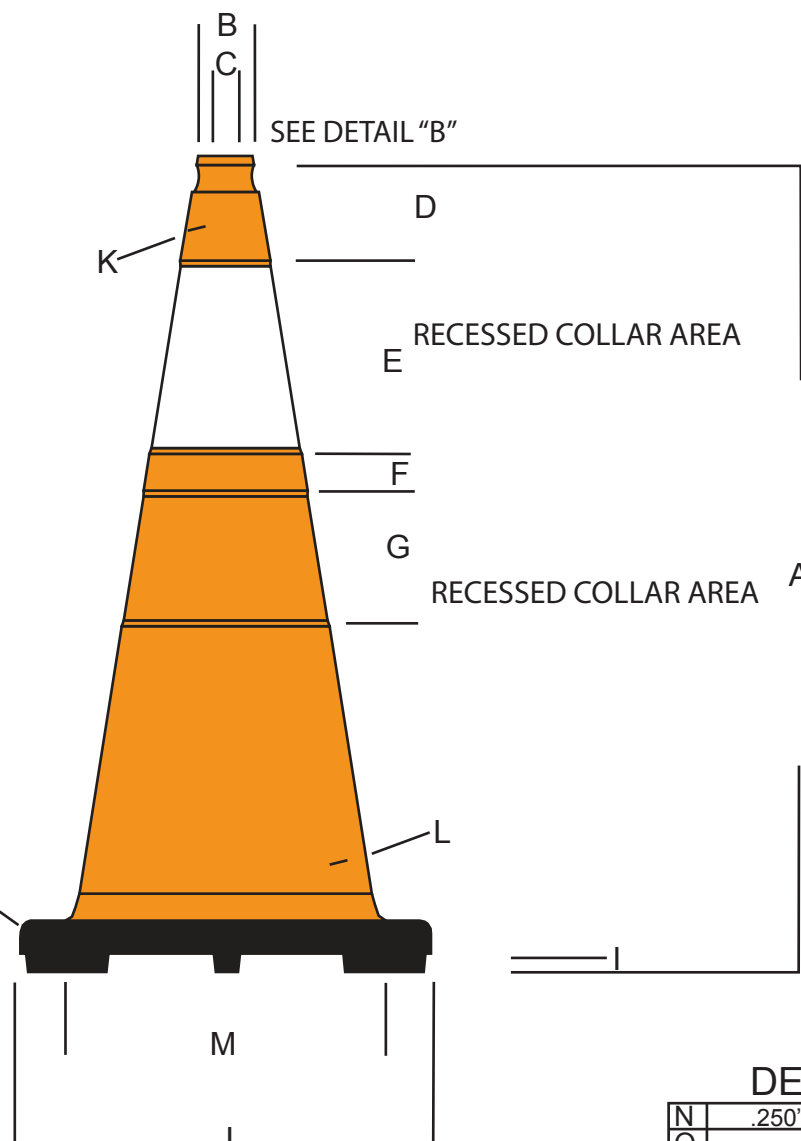


DIMENSIONS

A	28.00"
B	1.875"
C	1.25" DIAMETER
D	3.75"
E	6.5"
F	2.0"
G	4.5"
H	1.5"
I	.625"
J	14.75"
K	.14" WALL THICKNESS
L	.16" WALL THICKNESS
M	10.00"

CONE SIZE	BASE WEIGHT	TOTAL WEIGHT
28"		10.12 lbs



SEE DETAIL "B"

RECESSED COLLAR AREA

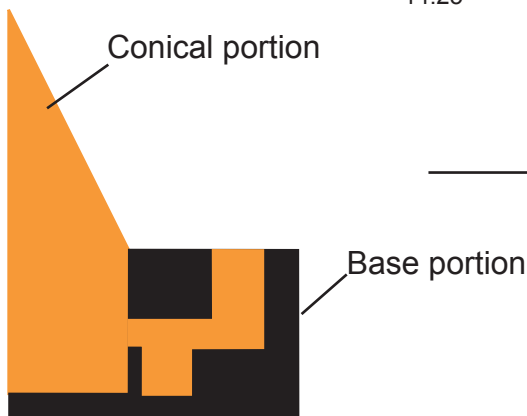
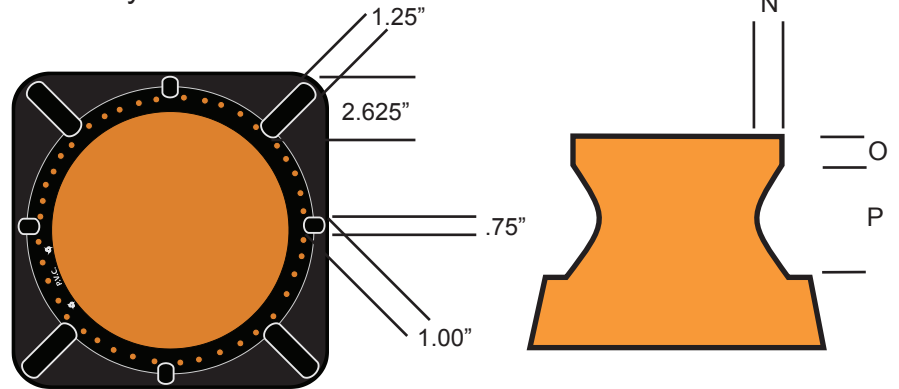
RECESSED COLLAR AREA

SEE DETAIL "A" BELOW

DETAIL "B"

N	.250" RECESS
O	.3125"
P	.75"

Notes:  
 Conical section manufactured from 100% recyclable flourescent orange PVC  
 Base manufactured form 100% post industrial recycled black PVC



Circle Interlock System

DETAIL "A"



28" TRAFFIC CONE  
 WIDE BODY  
 RS70045CT+3M6

JBC SAFETY PLASTIC INC.  
 710 NOGALES ST  
 CITY OF INDUSTRY CA 91748  
 www.jbcsafety.com

Date 9/19/13

REVOLUTION SERIES

DWG. NO. RS70045CT3M6