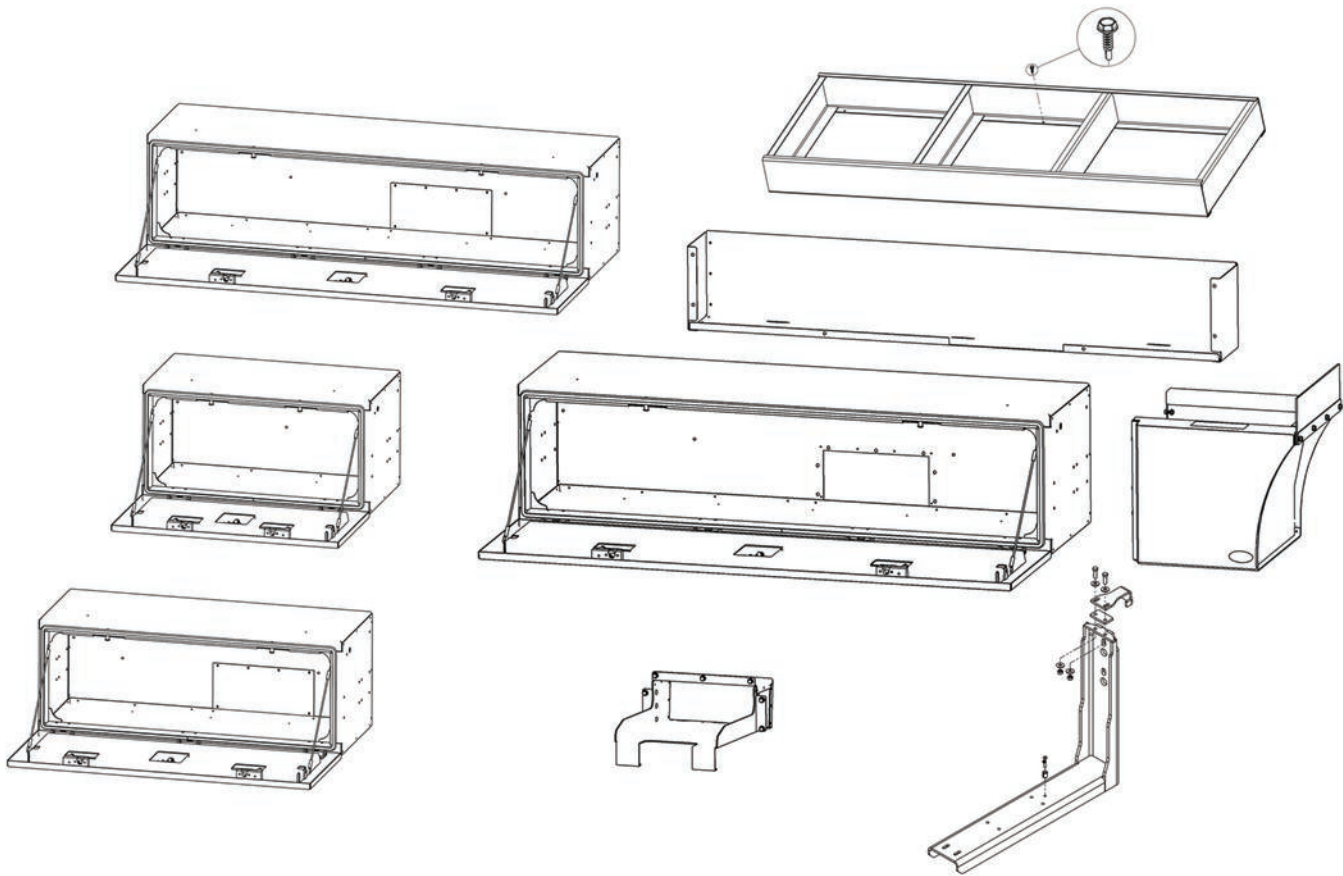




www.InTheDitch.com

TOOL BOX AND ACCESSORIES INSTALLATION GUIDE





Includes installation instructions for: Pro Series™ Tool Boxes, Quick™ Mounts, Storage Fenders, Quarter Fenders, Box Top Trays, Lumber Baskets, Air Fitting, Jack Bracket, Full Shelf, Half Shelf, 36" Shelf, and more...

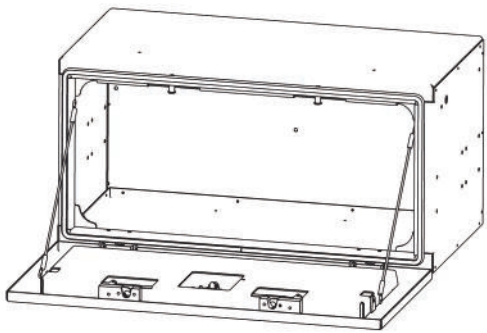
for more information on ITD Pro Series™ Tool Boxes & Accessories
visit us at: www.intheditch.com or call 1-888-993-4824

ITD0250R2

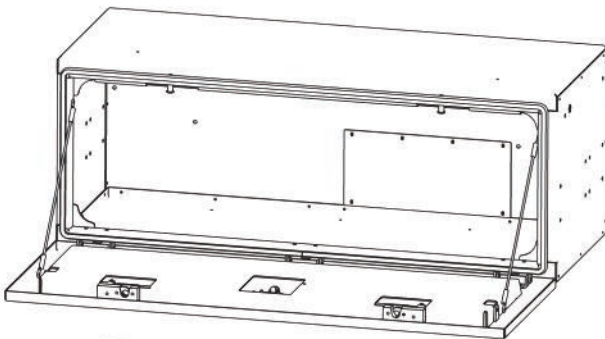
Installation Guide for Pro Series Tool Boxes

Below is a list of parts you will need to install a Pro Series Tool Box using a Quick Mount

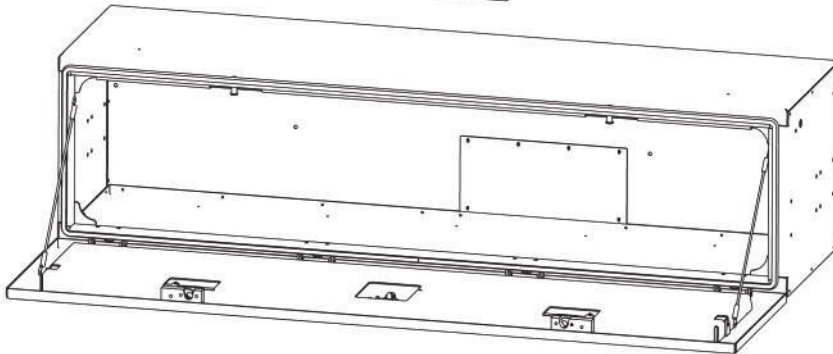
| | Description | Quantity |
|---|------------------------------|----------|
|  | 5/16"-18 x 3/4" Flanged Bolt | 8 |
|  | 5/16"-18 Flanged Nut | 8 |



ITD1536
36" Pro Series Tool Box



ITD1548
48" Pro Series Tool Box



ITD1570
70" Pro Series Tool Box

To see the full line of ITD Pro Series Tool Boxes & Accessories visit us at:
www.intheditch.com or call 1-888-993-4824



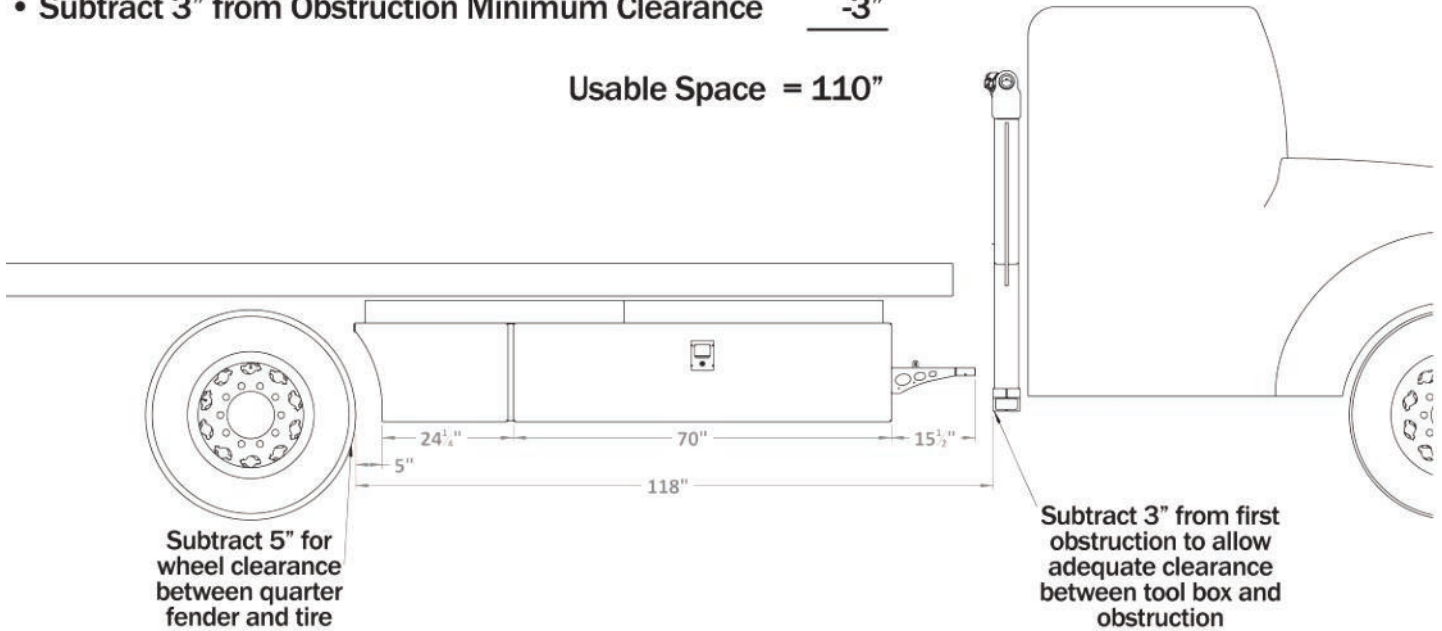
ITD0249

1. Placement of Tool Box and Accessories

Utilize the schematic below to help determine the size and position of the tool box and accessories

- Measure from First Obstruction to Front of Tire **118"**
- Subtract Quarter Fender Minimum Tire Clearance **-5"**
- Subtract 3" from Obstruction Minimum Clearance **-3"**

Usable Space = **110"**



2. Hang Quick Mounts

2 mounts per box, see Quick Mount installation manual for further detail.

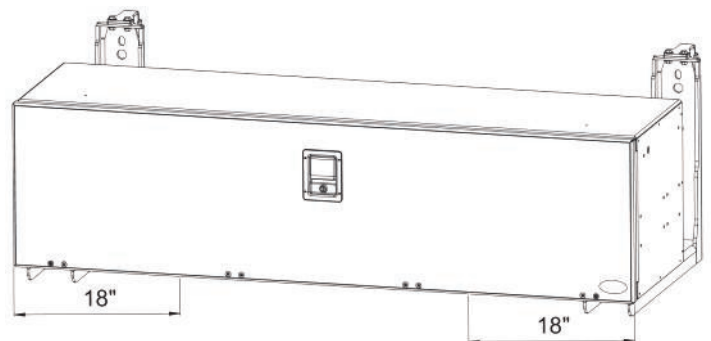


Quick Mounts



Side Mount

3. Mount Locations



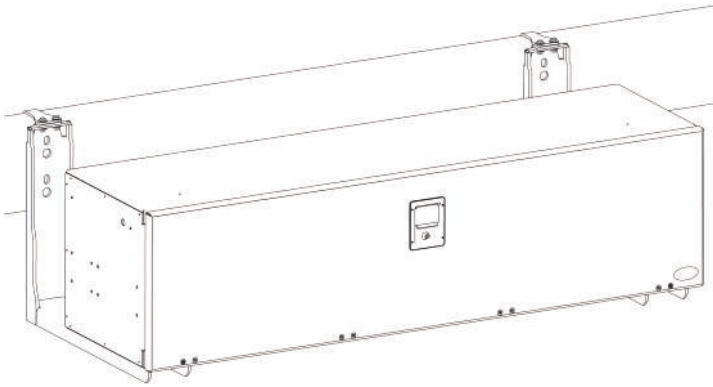
Quick Mounts must be located with 18" of the end of each box. With a minimum of two (2) per box.

To see the full line of ITD Pro Series Tool Boxes & Accessories visit us at: www.intheditch.com or call 1-888-993-4824



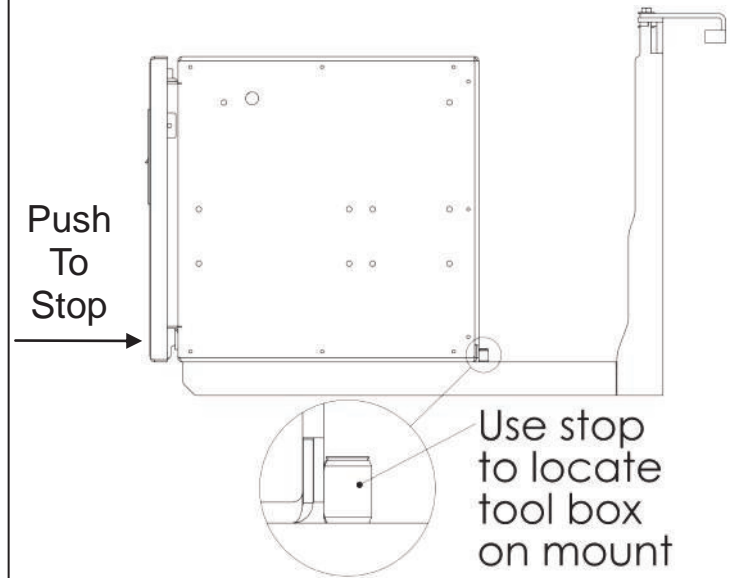
ITD0249

4. Set Tool Box

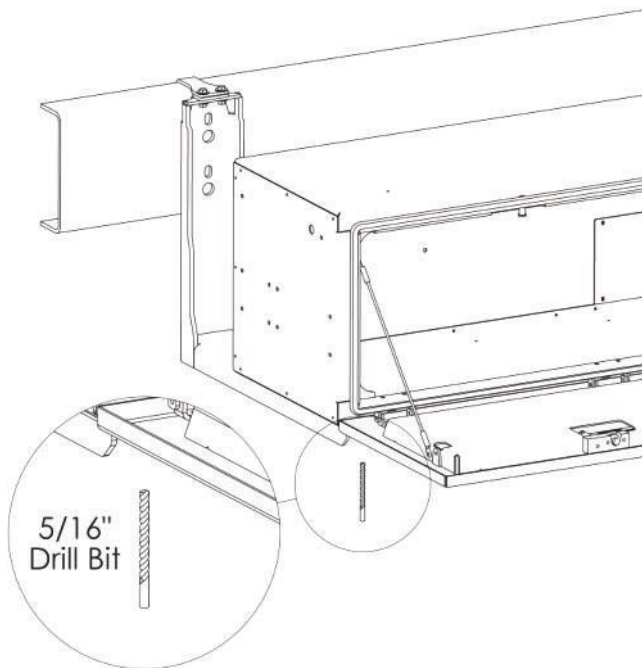


Set tool box on Quick Mounts, make sure to check the measurement of the width to ensure accurate positioning

5. Push to Stop

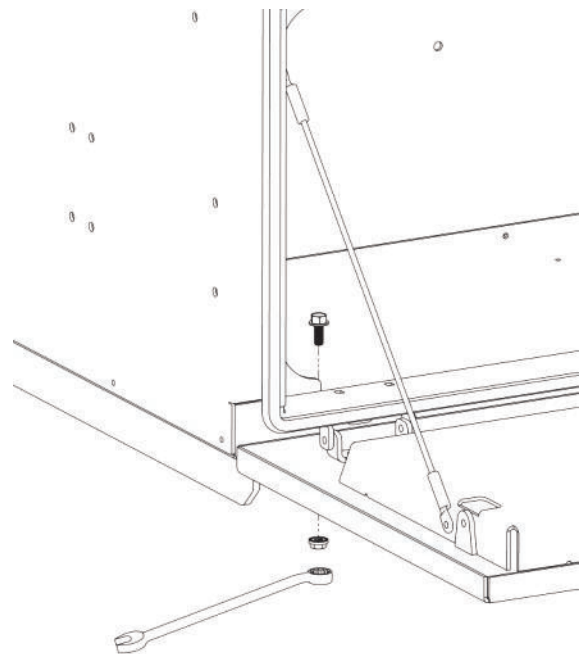


6. Drill Tool Box



Drill 4 holes in each mount. Two in the front and two in the rear.

7. Bolt Box to Mounts

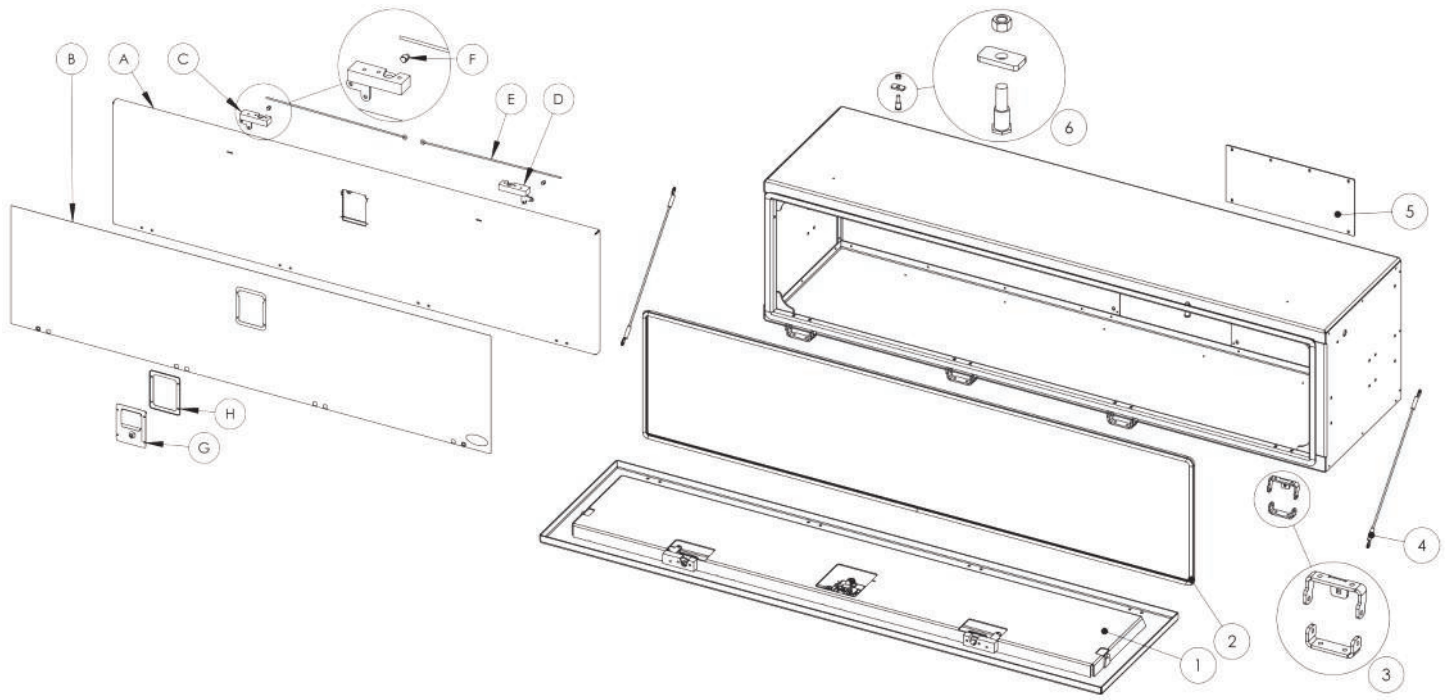


Bolt tool box to Quick Mount using (8) 5/16" flanged hex nuts and bolts

To see the full line of ITD Pro Series Tool Boxes & Accessories visit us at: www.intheditch.com or call 1-888-993-4824



ITD0249



| Item # | Part # | Description | Qty per Assembly |
|--------|---------|--|------------------|
| 1 | - | Door Assembly | - |
| A | ITD6304 | 36" Welded Door (No Hardware or Stainless) | 1 |
| | ITD6284 | 48" Welded Door (No Hardware or Stainless) | 1 |
| | ITD6259 | 70" Welded Door (No Hardware or Stainless) | 1 |
| B | ITD6305 | 36" Replacement Stainless Steel (Includes 3M adhesive tape) | 1 |
| | ITD6285 | 48" Replacement Stainless Steel (Includes 3M adhesive tape) | 1 |
| | ITD6261 | 70" Replacement Stainless Steel (Includes 3M adhesive tape) | 1 |
| C | ITD7107 | Right Rotary Latch (fits all models) | 1 |
| D | ITD7108 | Left Rotary Latch (fits all models) | 1 |
| E | ITD7115 | 8" Connection Rod (for 36" door) | 2 |
| | ITD7114 | 14.5" Connection Rod (for 48" door) | 2 |
| | ITD7110 | 20" Connection Rod (for 70" door) | 2 |
| F | ITD7113 | Latch to Rod Connector (fits all models) | 2 |
| G | ITD7106 | Paddle Latch (fits all models) | 1 |
| H | ITD7111 | Gasket - for paddle latch (fits all models) | 1 |
| 2 | ITD6007 | Door Gasket (15ft - fits all models) | 1 |
| 3 | ITD6408 | Stainless Hinge Assembly (Includes both sides of hinge) | 3 or 4 |
| 4 | ITD7116 | 18" Cable Lanyard | 2 |
| 5 | ITD6008 | Cover Plate (for ITD1570 & ITD1548 ONLY) | 1 |
| 6 | ITD6409 | Striker Assembly (Includes striker, stainless back plate, nut) | 2 |

To see the full line of ITD Pro Series Tool Boxes & Accessories visit us at:
www.intheditch.com or call 1-888-993-4824



ITD0249

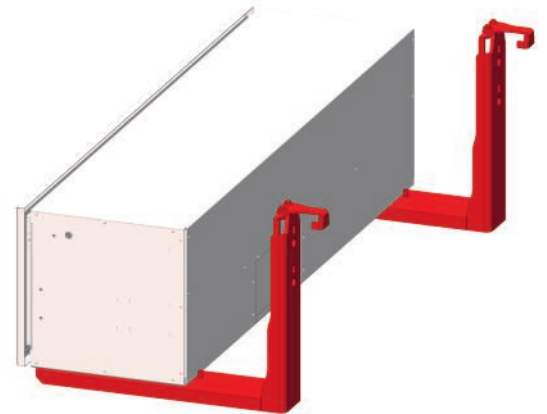
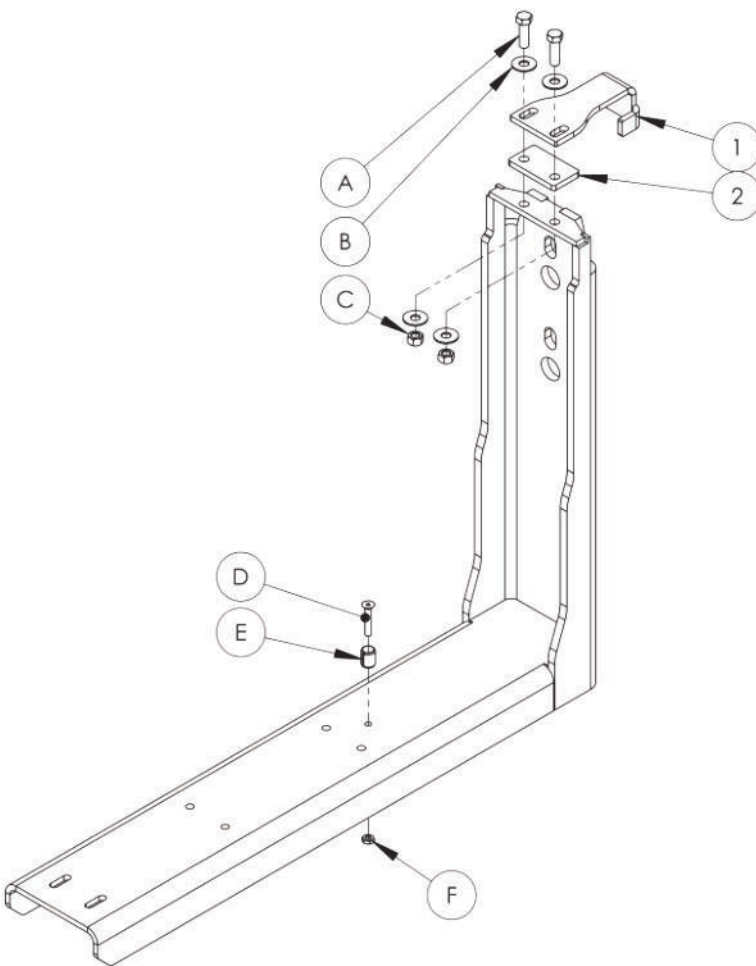
Installation Guide for ITD Quick Mounts

Used for Pro Series Toolboxes and Storage Fenders

Required hardware list for installation of a Quick Mount

| Item | Description | Quantity |
|------|-------------------------------|----------|
| A | 3/8"-16 x 1" Hex Bolt | 2 |
| B | 3/8" Flat Washer | 4 |
| C | 3/8"-16 Nut | 2 |
| D | 1/4"-20 x 1-1/2" Socket Screw | 1 |
| E | 3/4" Toolbox Stop | 1 |

| Item | Description | Quantity |
|------|----------------------------------|----------|
| F | 1/4"-20 Nut | 1 |
| - | 1/2" Grade 5 Hex Bolt (to frame) | 2 |
| - | 1/2" Grade 5 Hex Nut (to frame) | 2 |
| - | 1/2" Flat Washer (to frame) | 4 |



ITD1580 20.5" Quick Mount
Or

ITD1581 14.5" Quick Mount

*ITD1580 Quick Mount Shown

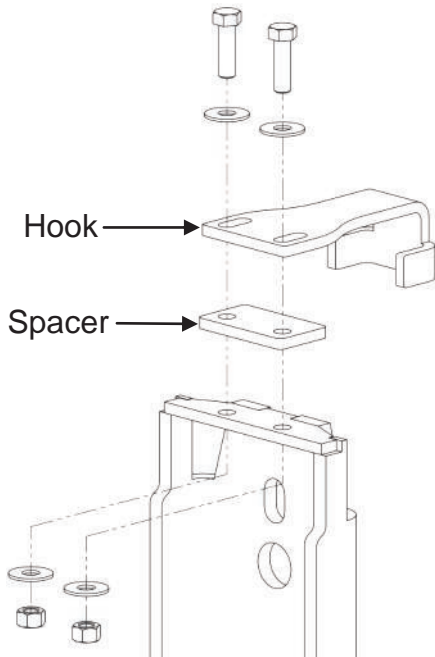
| Item | Part # | Description | Quantity |
|------|---------|--|----------|
| - | ITD1580 | 20.5" Quick Mount Assembly | |
| - | ITD1581 | 14.5" Quick Mount Assembly (not shown) | |
| 1 | ITD6268 | Frame Hanger (**see note, page 3) | 1 |
| 2 | ITD6340 | Spacer (Suggested for use on low profile beds) | 1 |

To see the full line of ITD Pro Series Tool Boxes & Accessories visit us at:
www.intheditch.com or call 1-888-993-4824



ITD0243

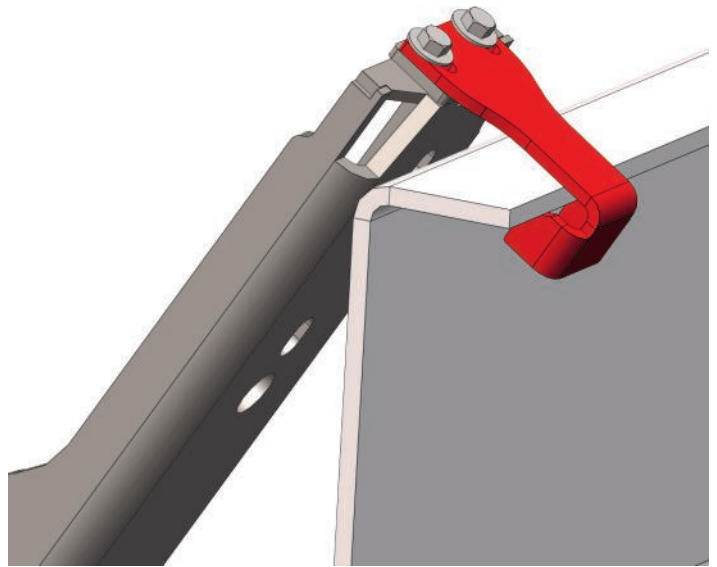
1. Install Hanger and Spacer



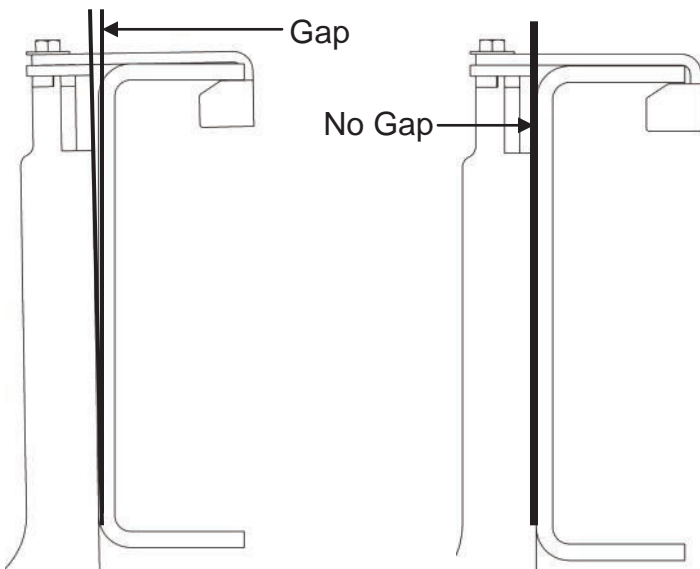
The hanger is used to hold the mount in position while fastening to the frame.

The spacer is recommended in any situation when additional clearance would be needed for the sub frame (i.e. a low profile bed or subframe)

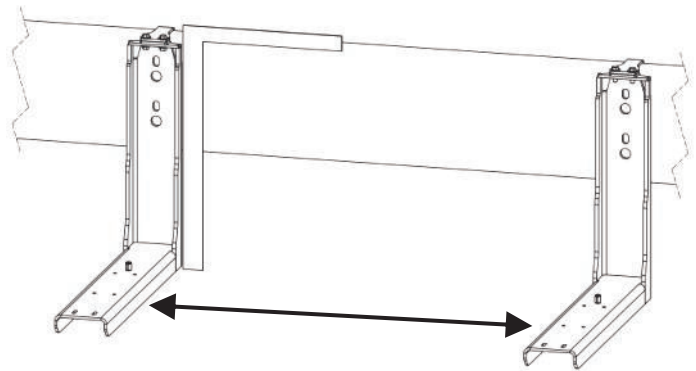
2. Hang Mount On Frame



3. Verify Mount is Flush to Frame



4. Position Mounts



Once mounts are in position, check square with the top of frame to make sure they are sitting plumb to the truck.

Please reference additional installation manuals for proper placement of mounts (i.e. Pro Series Tool Boxes, Quarter Fenders, Storage Fenders, etc.)

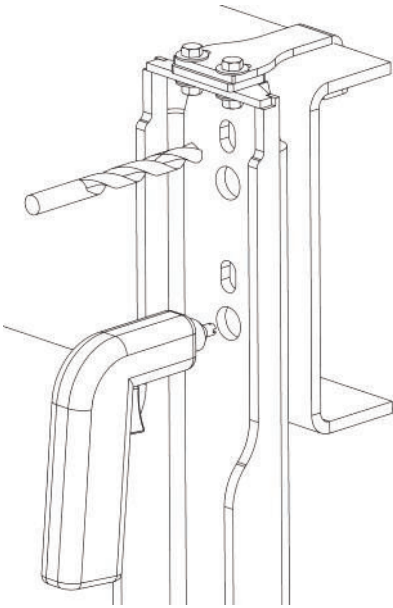
Each mount is rated for 300 lb. Tool boxes require a minimum of 2 mounts each, and storage fenders require 1 mount each. Additional mounts may be required, this is up to the discretion of the installer.

To see the full line of ITD Pro Series Tool Boxes & Accessories visit us at:
www.intheditch.com or call 1-888-993-4824



ITD0243

5. Drill or Plasma Cut Holes



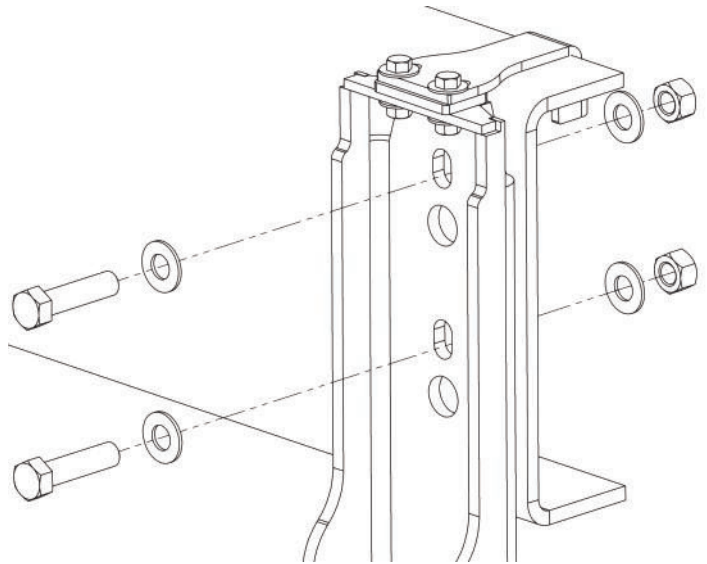
Use the two oblong holes to drill

OR

Use the large round holes as a template for a plasma cutter

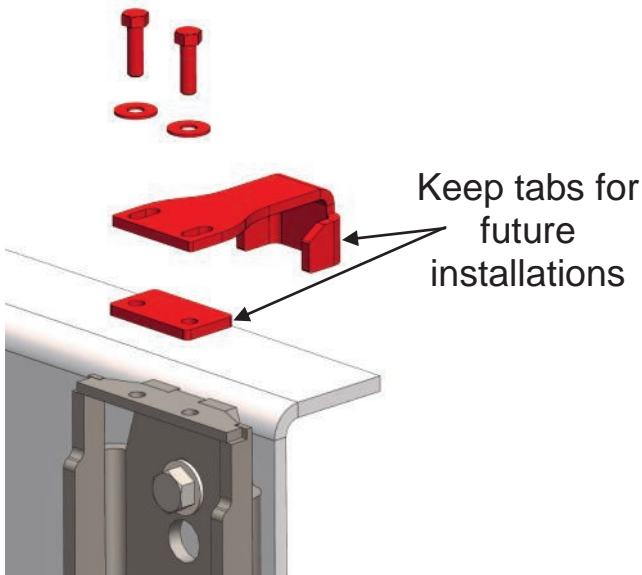
*Check back side of the frame for clearance and/or fire hazards before drilling or plasma cutting

6. Bolt Mount to Frame



Use a minimum of two (2) - 1/2" grade 5 bolts to install mount to frame. Bolts must be properly torqued for installation.

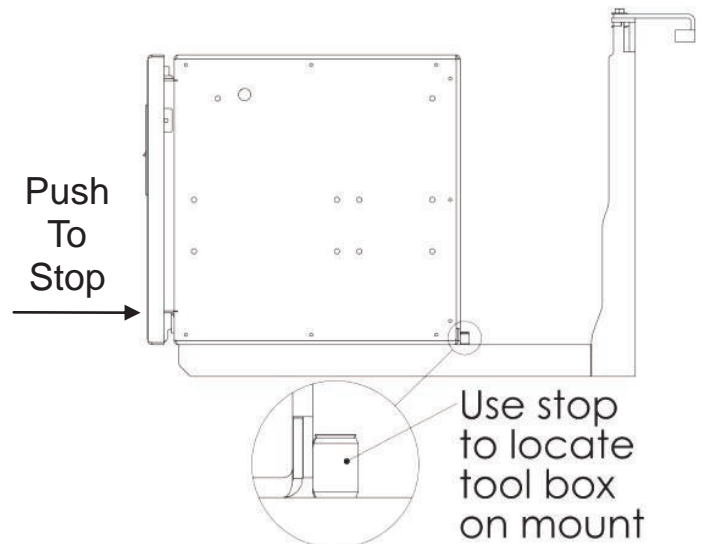
7. Remove Hook & Spacer



**Installer Note:

Three (3) mounting tabs, three (3) shims, and six (6) bolts will be shipped with every 10 tool box mounts. Please keep these tabs for future installations.

8. Tool Box Stop



CAUTION



CHECK FOR ADEQUATE BED CLEARANCE BEFORE MOUNTING Tool Boxes, Box Tops, or Lumber Baskets.

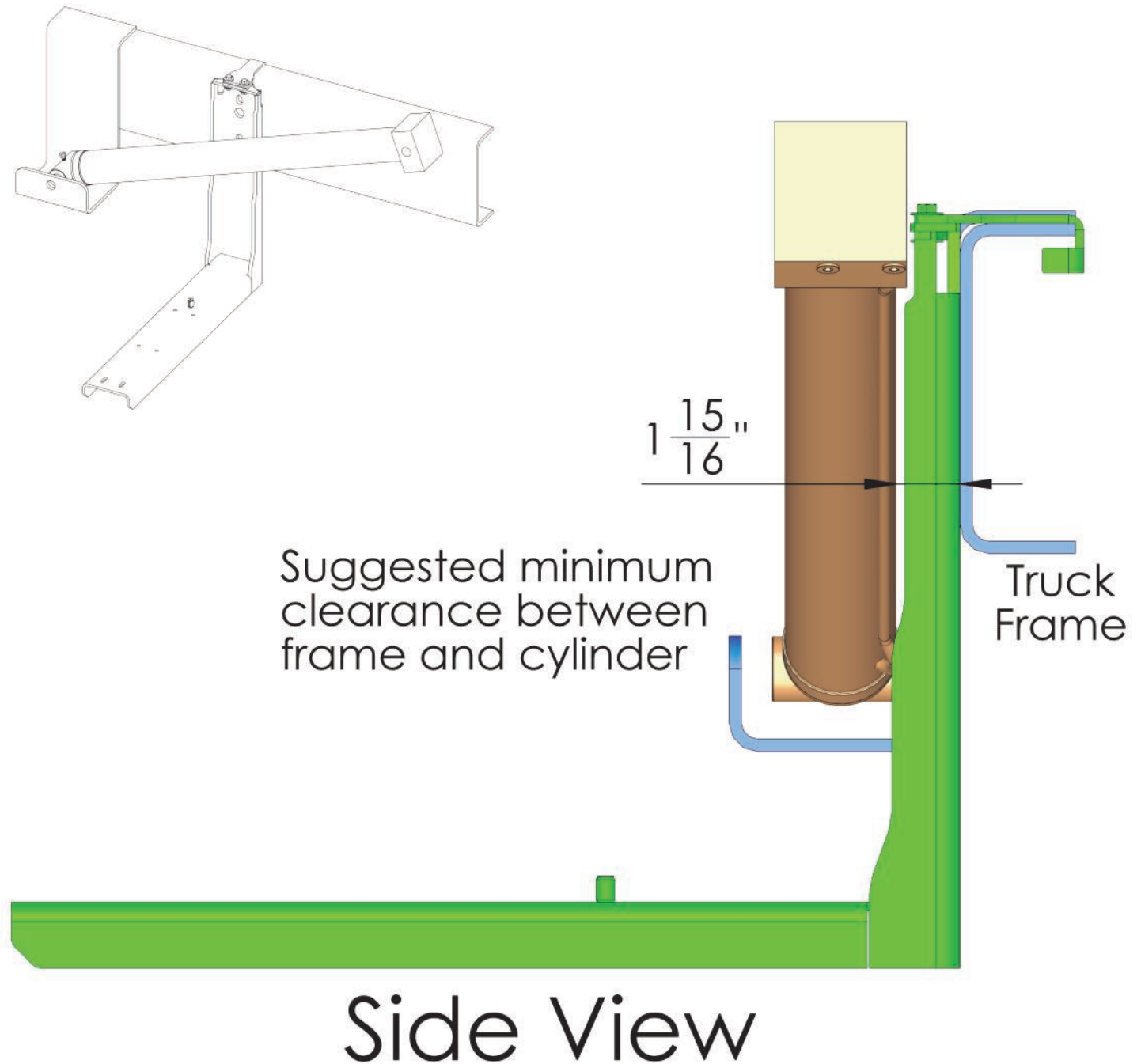
To see the full line of ITD Pro Series Tool Boxes & Accessories visit us at: www.intheditch.com or call 1-888-993-4824



ITD0243

Carriers with outboard tilt cylinders

Outboard tilt cylinders are a special application that requires additional measurements before mounting. With the wide variety of chassis/bed configurations available, verification of clearance should be done prior to mounting.



CAUTION



CHECK FOR ADEQUATE BED CLEARANCE BEFORE MOUNTING
Tool Boxes, Box Tops, or Lumber Baskets.

To see the full line of ITD Pro Series Tool Boxes & Accessories visit us at:
www.intheditch.com or call 1-888-993-4824





ITD0243

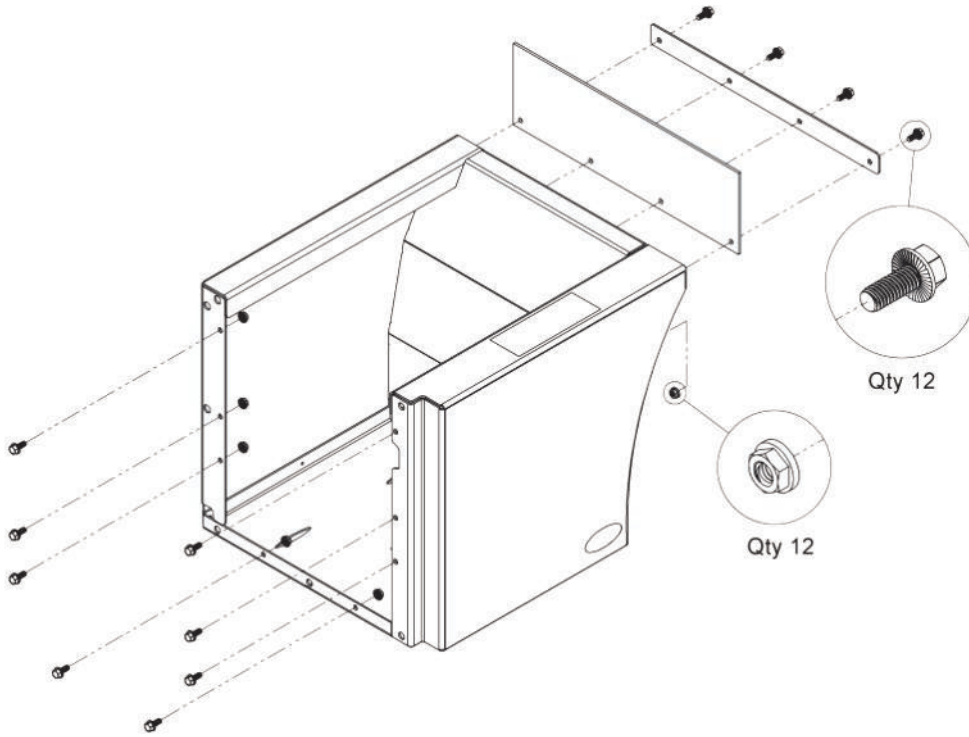
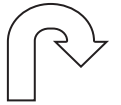
Installation Guide for Storage Fenders

Installed on any ITD Pro Series Tool Box

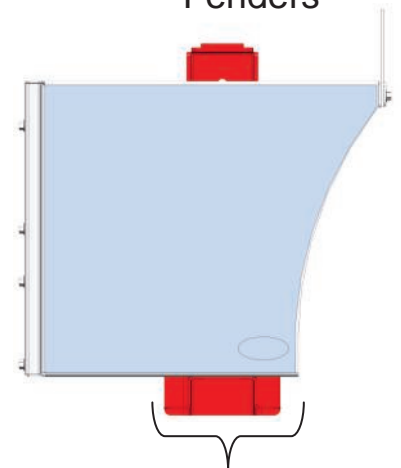
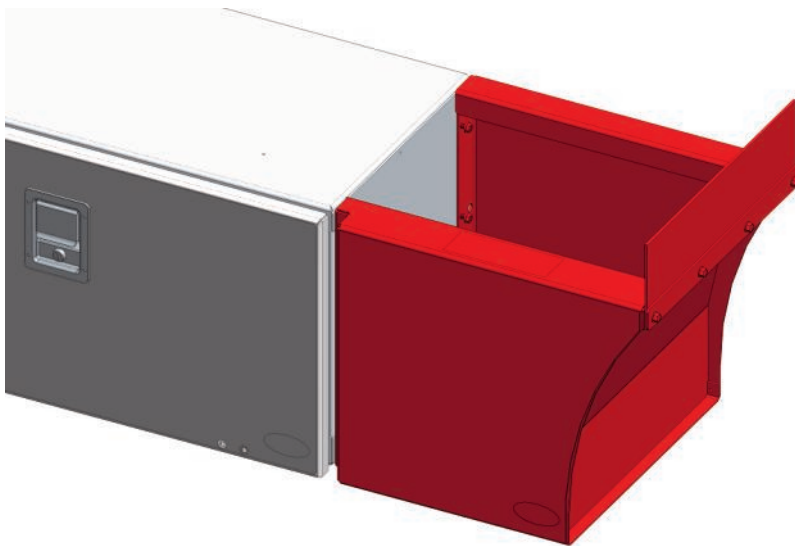
Below is a list of parts you will need to install a Storage Fender

| | Description | Quantity |
|---|------------------------------|----------|
|  | 5/16"-18 x 3/4" Flanged Bolt | 12 |
|  | 5/16"-18 Flanged Nut | 12 |

Parts List



Quick Mount is required on all Storage Fenders



Mount to be located in the rear 1/2 of the Storage Fender.

To see the full line of ITD Pro Series Tool Boxes & Accessories visit us at:
www.intheditch.com or call 1-888-993-4824



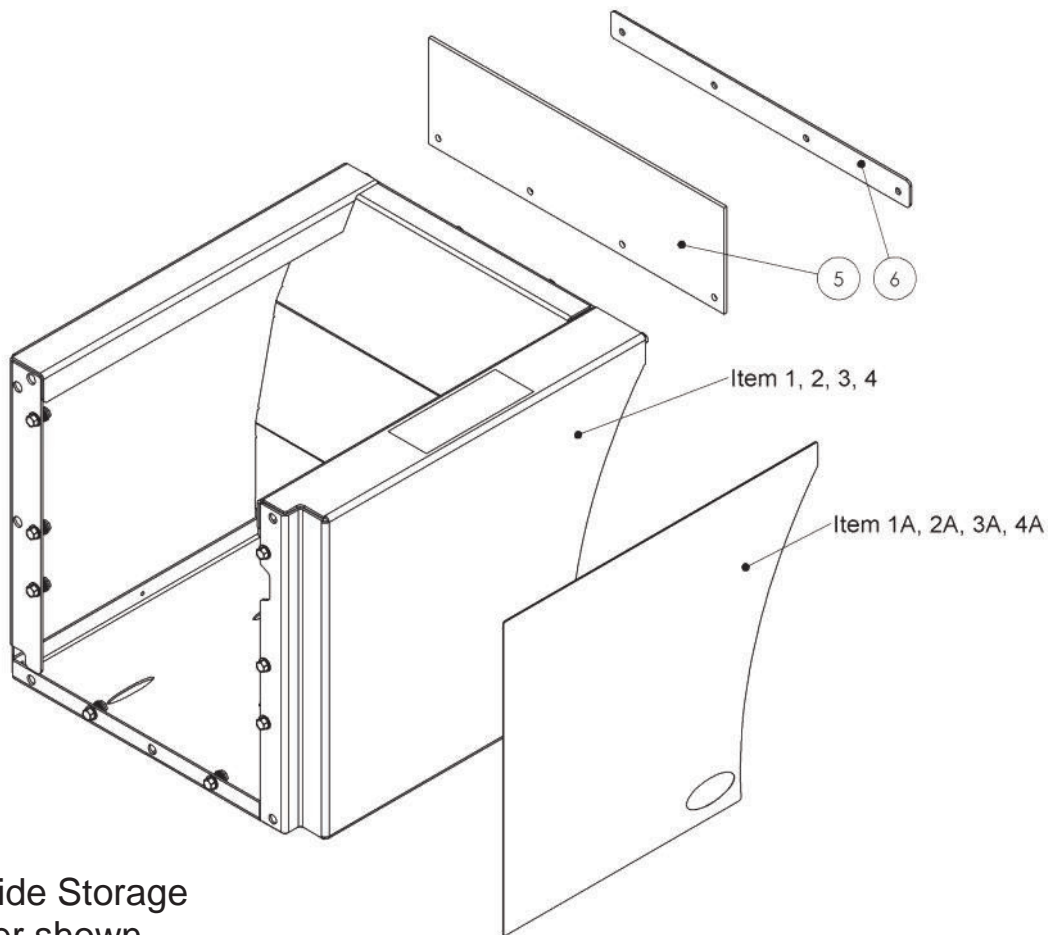
ITD0242

Installation Guide for Storage Fenders

Installed on any ITD Pro Series Tool Box

Parts List:

| Item # | Qty | Description | Part # |
|--------|-----|--|------------------|
| 1 | (1) | Storage Fender 42.75" (Left or Right) SS installed | ITD1333 (R or L) |
| 1A | (1) | SS Panel for 42.75" Storage Fender | ITD1335 (R or L) |
| 2 | (1) | Storage Fender 34.75" (Left or Right) SS installed | ITD1329 (R or L) |
| 2A | (1) | SS Panel for 34.75" Storage Fender | ITD1334 (R or L) |
| 3 | (1) | Storage Fender 24.25" (Left or Right) SS installed | ITD1327 (R or L) |
| 3A | (1) | SS Panel for 24.25" Storage Fender | ITD1308 (R or L) |
| 4 | (1) | Storage Fender 16.75" (Left or Right) SS installed | ITD1328 (R or L) |
| 4A | (1) | SS Panel for 16.75" Storage Fender | ITD1332 (R or L) |
| 5 | (1) | Rubber Guard for all storage fenders | ITD7117 (R or L) |
| 6 | (1) | Rubber Guard backing plate for all storage fenders | ITD6331 |



Left side Storage Fender shown.

To see the full line of ITD Pro Series Tool Boxes & Accessories visit us at:
www.intheditch.com or call 1-888-993-4824





ITD0242

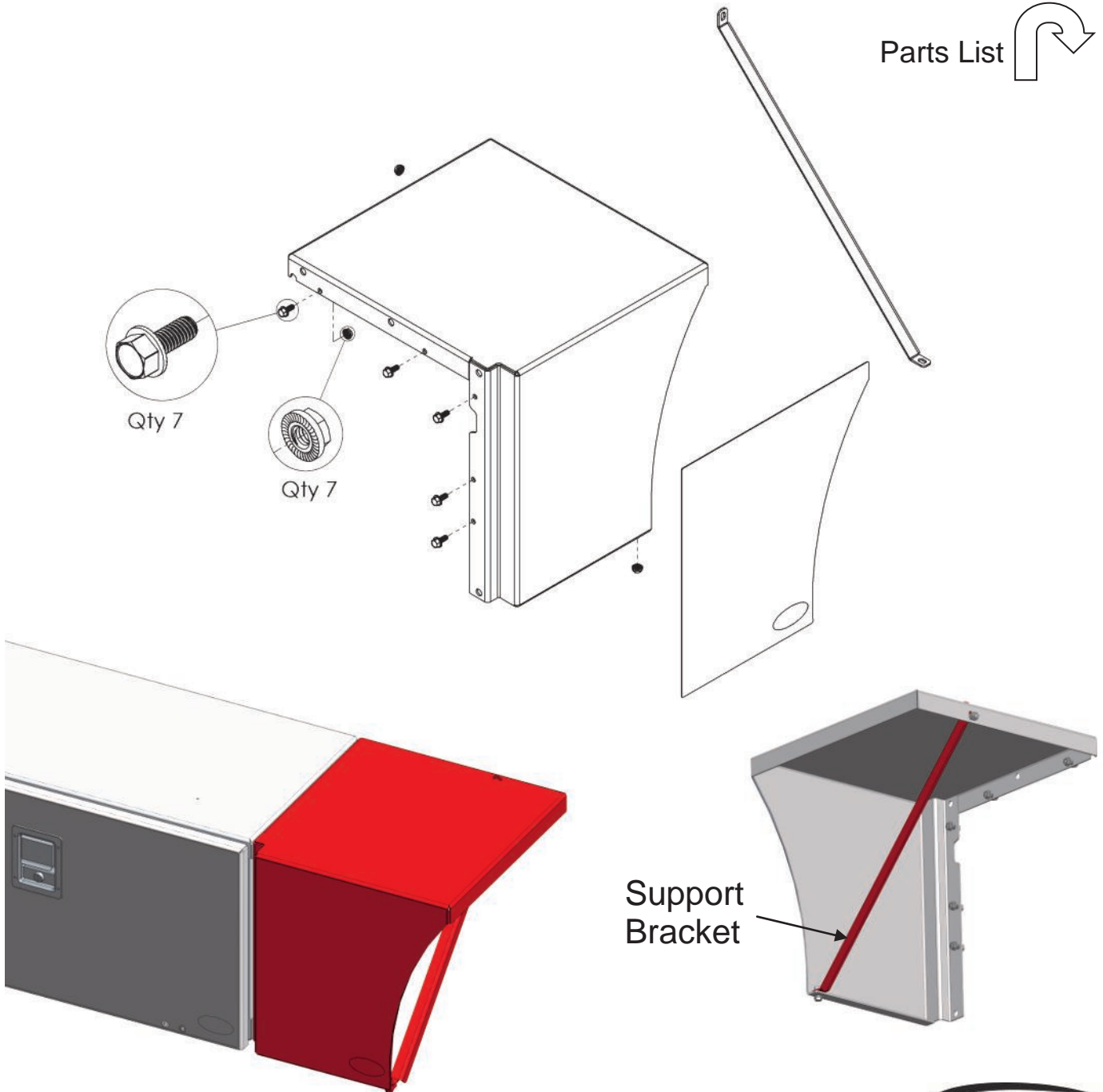
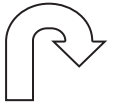
Installation Guide for ITD Quarter Fenders

Installed on any ITD Pro Series Tool Box

Below is a list of parts you will need to install an ITD Quarter Fender

| | Description | Quantity |
|---|------------------------------|----------|
|  | 5/16"-18 x 3/4" Flanged Bolt | 7 |
|  | 5/16"-18 Flanged Nut | 7 |

Parts List



Support
Bracket

To see the full line of ITD Pro Series Tool Boxes & Accessories visit us at:
www.intheditch.com or call 1-888-993-4824



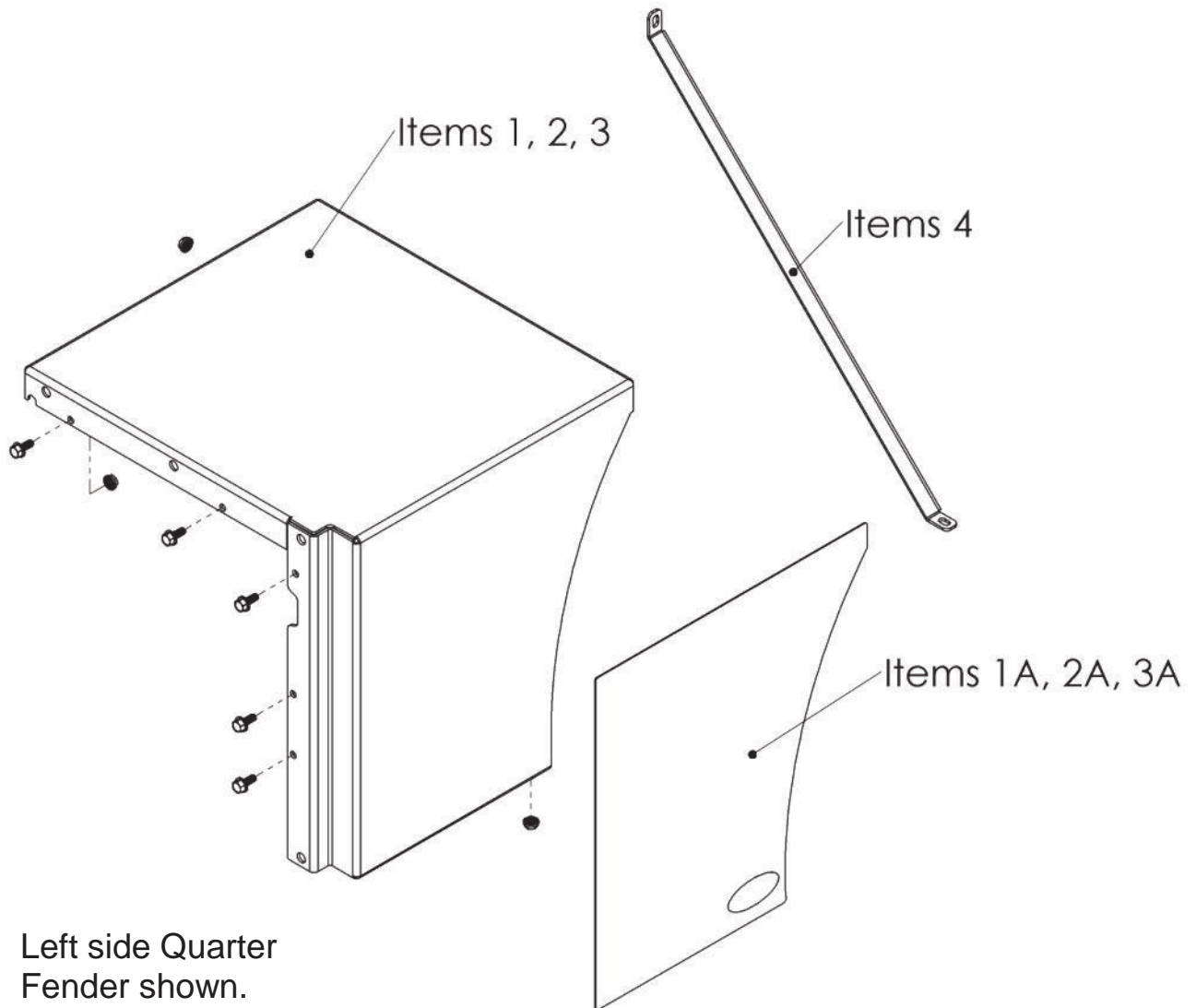
ITD0245

Installation Guide for ITD Quarter Fenders

Installed on any ITD Pro Series Tool Box

Parts List:

| Item # | Qty | Description | Part # |
|--------|-----|--|------------------|
| 1 | (1) | Quarter Fender 24.25" (Left or Right) SS installed | ITD1307 (R or L) |
| 1A | (1) | SS Panel for 24.25" Storage Fender | ITD1308 (R or L) |
| 2 | (1) | Quarter Fender 16.75" (Left or Right) SS installed | ITD1331 (R or L) |
| 2A | (1) | SS Panel for 16.75" Storage Fender | ITD1332 (R or L) |
| 3 | (1) | Quarter Fender 13" (Left or Right) SS installed | ITD1070 (R or L) |
| 3A | (1) | SS Panel for 13" Storage Fender | ITD1071 (R or L) |
| 4 | (1) | Support Bracket (Fits All ITD Quarter Fenders) | ITD6296 |



To see the full line of ITD Pro Series Tool Boxes & Accessories visit us at:
www.intheditch.com or call 1-888-993-4824



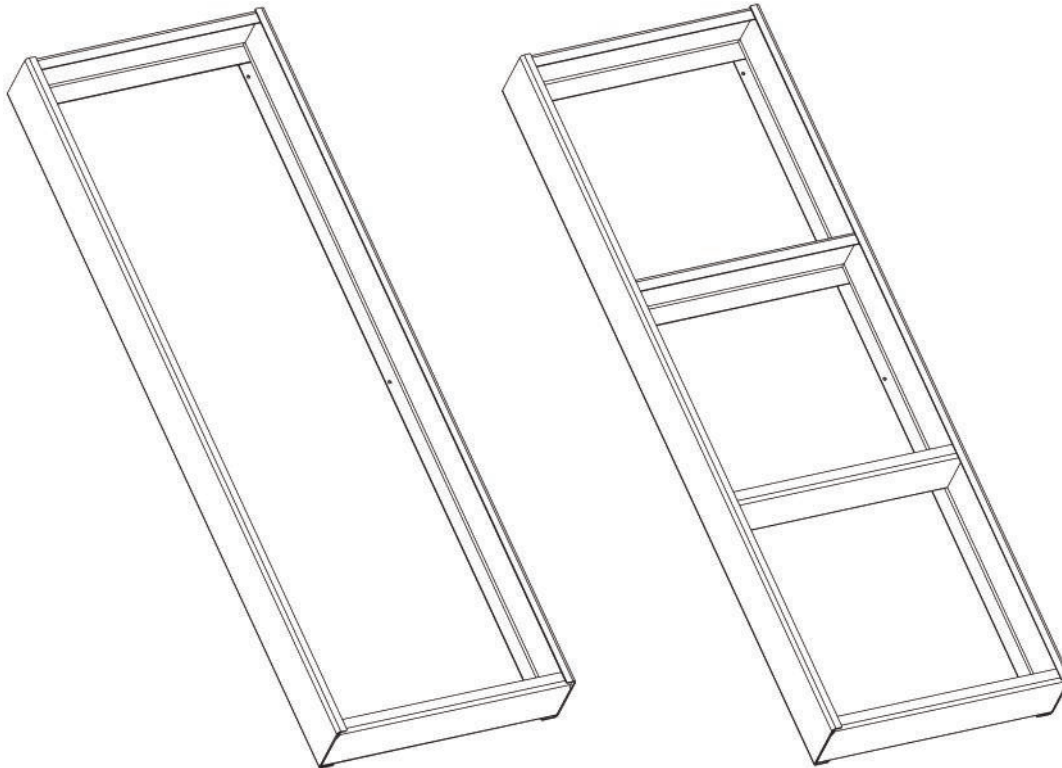
ITD0245

Installation Guide for ITD Box Top Trays

Installed on any Tool Box

Parts List:

| Part # | Description | Qty of Dividers |
|-----------|---|-----------------|
| ITD1339 | 22" x 16" Aluminum Box Top Tray | - |
| ITD1120 | 33" x 16" Aluminum Box Top Tray | - |
| ITD1120-D | 33" x 16" Aluminum Box Top Tray with Dividers | 1 |
| ITD1066 | 36" x 16" Aluminum Box Top Tray | - |
| ITD1066-D | 36" x 16" Aluminum Box Top Tray with Dividers | 1 |
| ITD1121 | 48" x 16" Aluminum Box Top Tray | - |
| ITD1121-D | 48" x 16" Aluminum Box Top Tray with Dividers | 2 |
| ITD1098 | 60" x 16" Aluminum Box Top Tray | - |
| ITD1098-D | 60" x 16" Aluminum Box Top Tray with Dividers | 2 |
| ITD1122 | 65" x 16" Aluminum Box Top Tray | - |
| ITD1122-D | 65" x 16" Aluminum Box Top Tray with Dividers | 2 |
| ITD1067 | 70" x 16" Aluminum Box Top Tray | - |
| ITD1067-D | 70" x 16" Aluminum Box Top Tray with Dividers | 2 |



Without Divider

With Divider

To see the full line of ITD Pro Series Tool Boxes & Accessories visit us at:
www.intheditch.com or call 1-888-993-4824




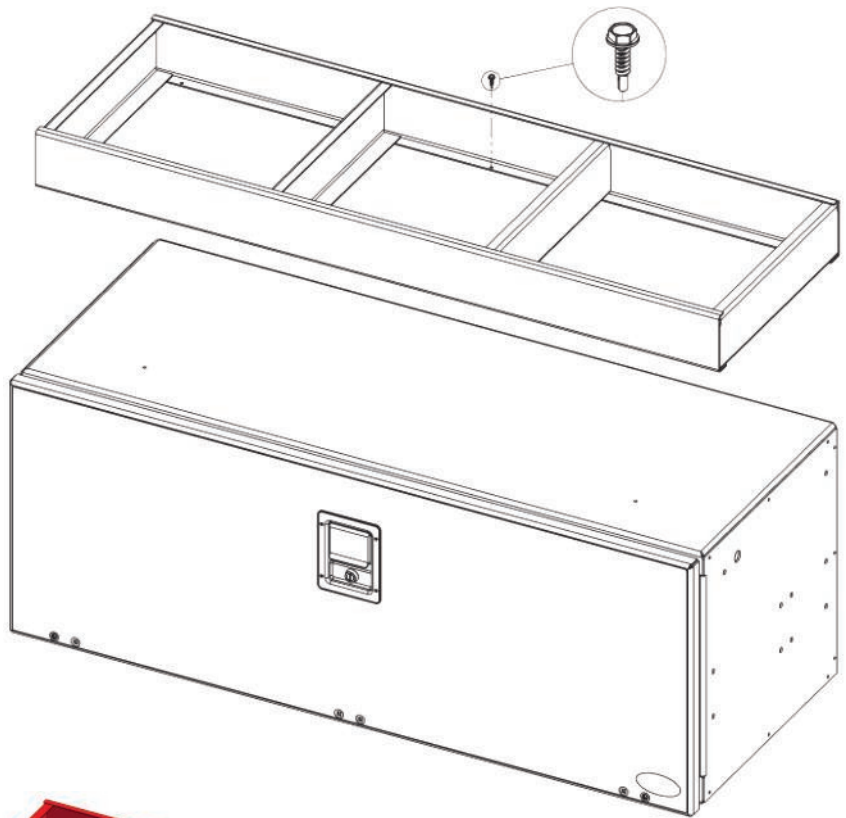
ITD0247

Installation Guide for ITD Box Top Trays

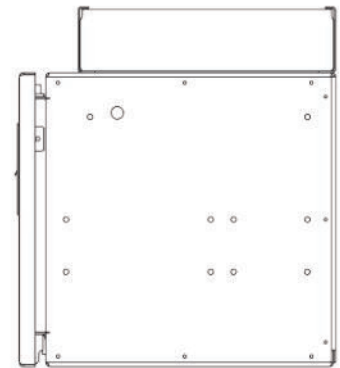
Installed on any Tool Box

Below is a list of parts you will need to install an ITD Box Top Tray

| | Description | Quantity |
|---|---|---------------|
|  | <p>#10 Self Drilling Screw</p> <p>Alternative Fasteners Include: 3/16" Rivets #10-24 Machine Screws</p> | <p>Varies</p> |



Parts List 



**48" Box Top Shown



To see the full line of ITD Pro Series Tool Boxes & Accessories visit us at:
www.intheditch.com or call 1-888-993-4824





ITD0247

Installation Guide for ITD Lumber Baskets

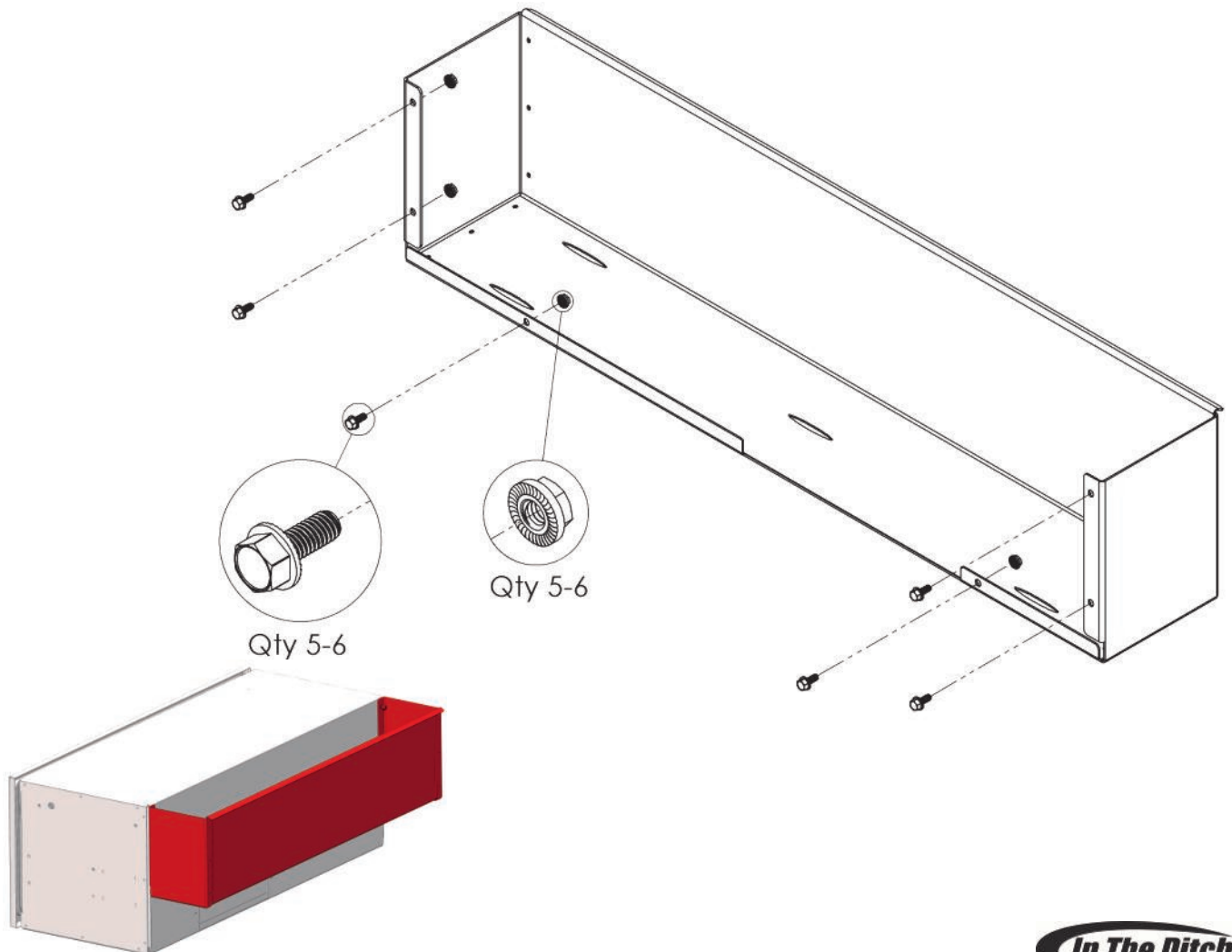
Installed on any Tool Box

Below is a list of parts you will need to install an ITD Aluminum Lumber Baskets

| | Description | Quantity |
|---|------------------------------|----------|
|  | 5/16"-18 x 3/4" Flanged Bolt | 5-6 |
|  | 5/16"-18 Flanged Nut | 5-6 |

Parts List:

| Part # | Description |
|---------|-------------------|
| ITD1280 | 70" Lumber Basket |
| ITD1281 | 60" Lumber Basket |
| ITD1282 | 48" Lumber Basket |
| ITD1283 | 36" Lumber Basket |





To see the full line of ITD Pro Series Tool Boxes & Accessories visit us at:
www.intheditch.com or call 1-888-993-4824



ITD0248

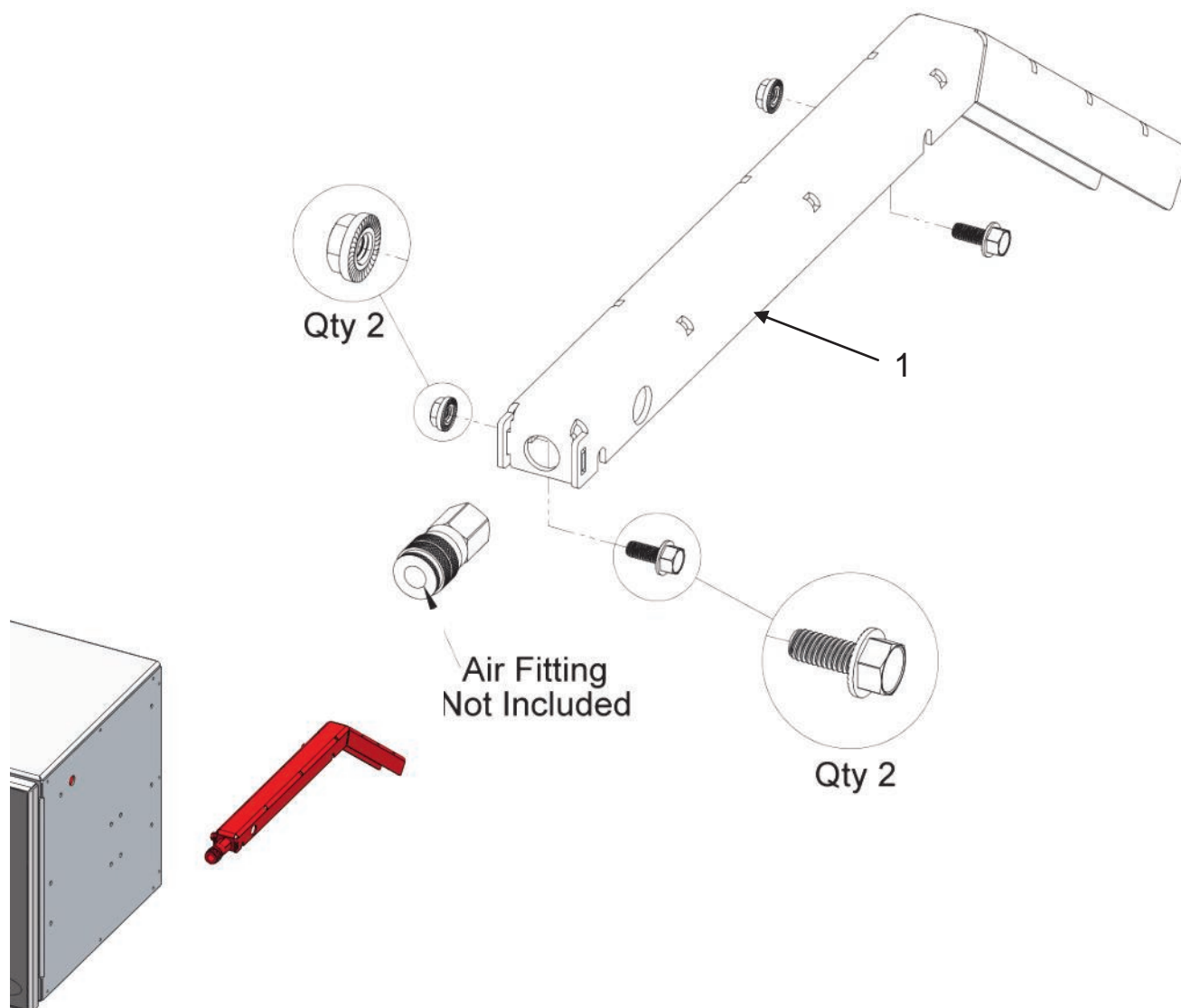
Installation Guide for Air Fitting & Wiring Bracket (ITD6274) Installed in any ITD Pro Series Tool Box

Below is a list of parts you will need to install a Air & Wiring Bracket

| | Description | Quantity |
|---|------------------------------|----------|
|  | 5/16"-18 x 3/4" Flanged Bolt | 2 |
|  | 5/16"-18 Flanged Nut | 2 |

Parts List:

| Item # | Qty | Description | Part # |
|--------|-----|------------------------------|---------|
| 1 | (1) | Air Fitting & Wiring Bracket | ITD6274 |
| 2 | (1) | Air Fitting (NOT INCLUDED) | |



To see the full line of ITD Pro Series Tool Boxes & Accessories visit us at:
www.intheditch.com or call 1-888-993-4824



ITD0241

Installation Guide for Slide In Jack Bracket (ITD1284)

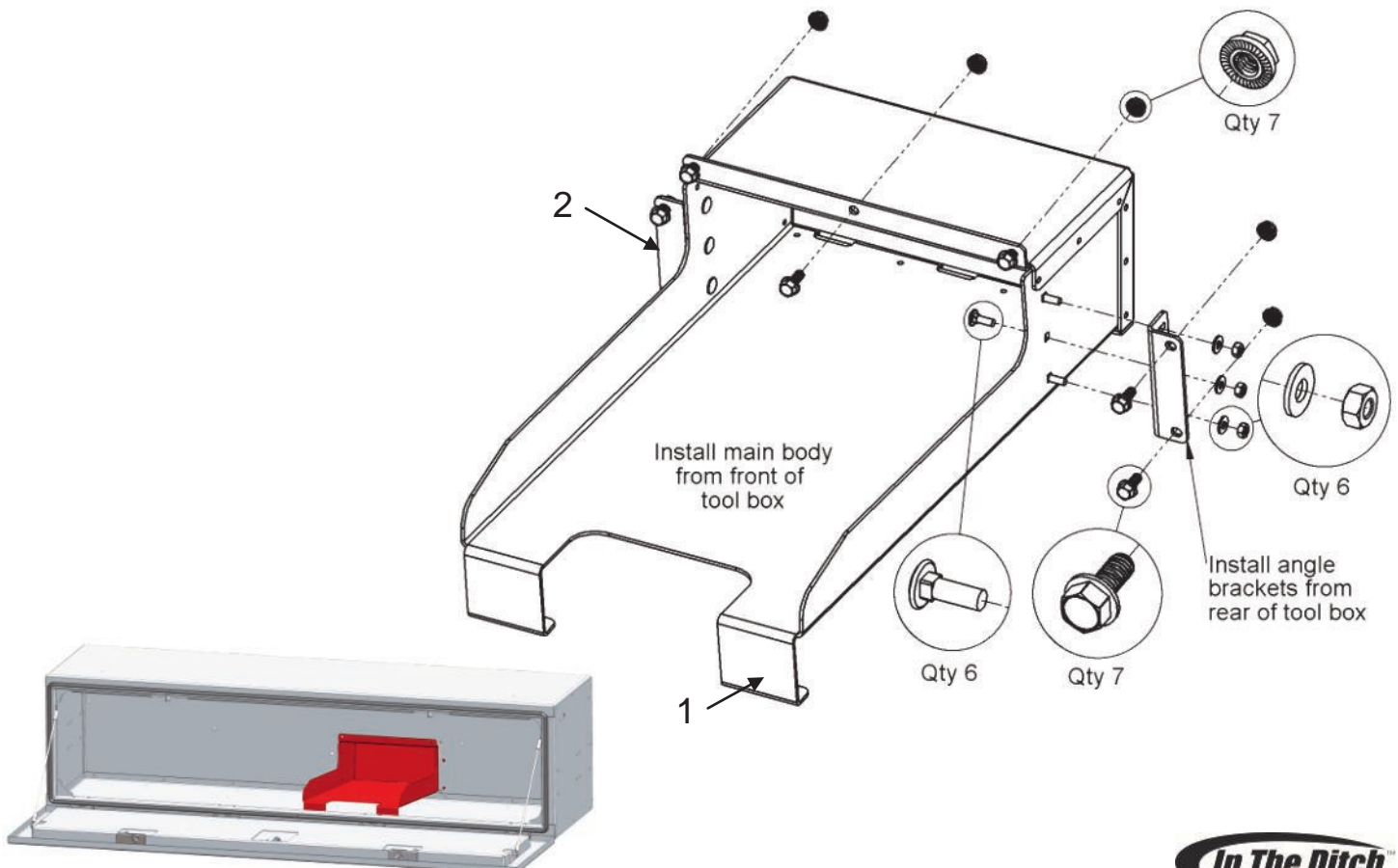
Installed in a 70" or 48" ITD Pro Series Tool Box

Below is a list of parts you will need to install a Slide In Jack Bracket

| | Description | Quantity |
|---|---------------------------------|----------|
|  | 5/16"-18 x 3/4" Flanged Bolt | 7 |
|  | 5/16"-18 Flanged Nut | 7 |
|  | 1/4"-20 x 3/4" SS Carriage Bolt | 6 |
|  | 1/4"-20 Lock Nut | 6 |
|  | 1/4"-20 Flat Washer | 6 |

Parts List:

| Item # | Qty | Description | Part # |
|--------|-----|------------------------|------------|
| 1 | (1) | Main Body | ITD1284-01 |
| 2 | (2) | Angle Support Brackets | ITD6295-01 |



To see the full line of ITD Pro Series Tool Boxes & Accessories visit us at:
www.intheditch.com or call 1-888-993-4824






ITD0239

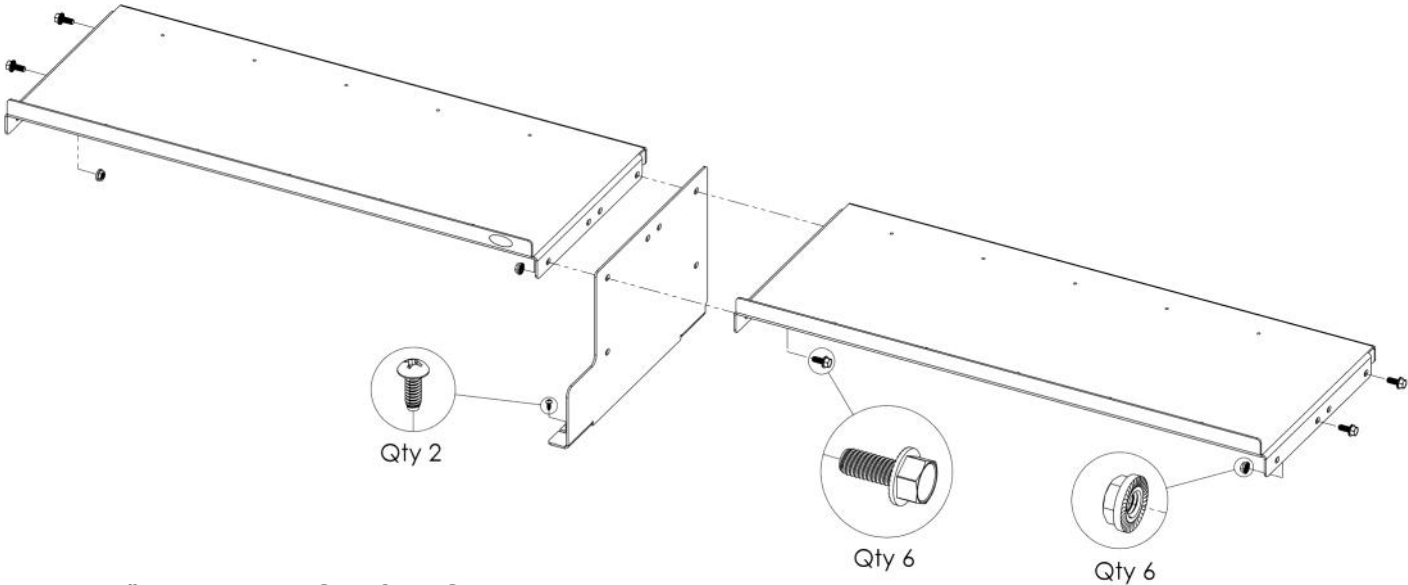
Installation Guide for Pro Series Full Length Shelf Kit

Installed in a 48" or 70" ITD Pro Series Tool Box

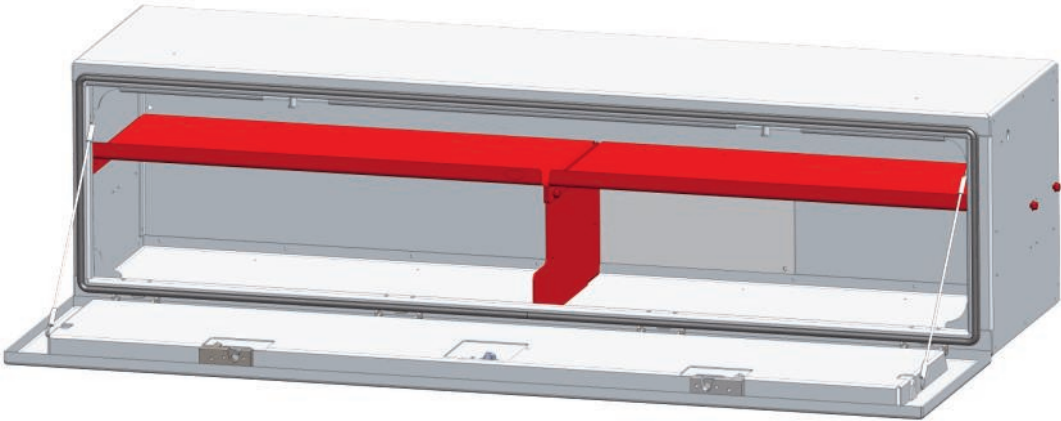
Below is a list of parts you will need to install a Pro Series Full Length Shelf Kit

| | Description | Quantity |
|---|------------------------------|----------|
|  | 5/16"-18 x 3/4" Flanged Bolt | 6 |
|  | 5/16"-18 Flanged Nut | 6 |
|  | #10-24 Self Threading Screw | 2 |

Parts List 



** 70" Full Length Shelf Kit Shown



To see the full line of ITD Pro Series Tool Boxes & Accessories visit us at:
www.intheditch.com or call 1-888-993-4824



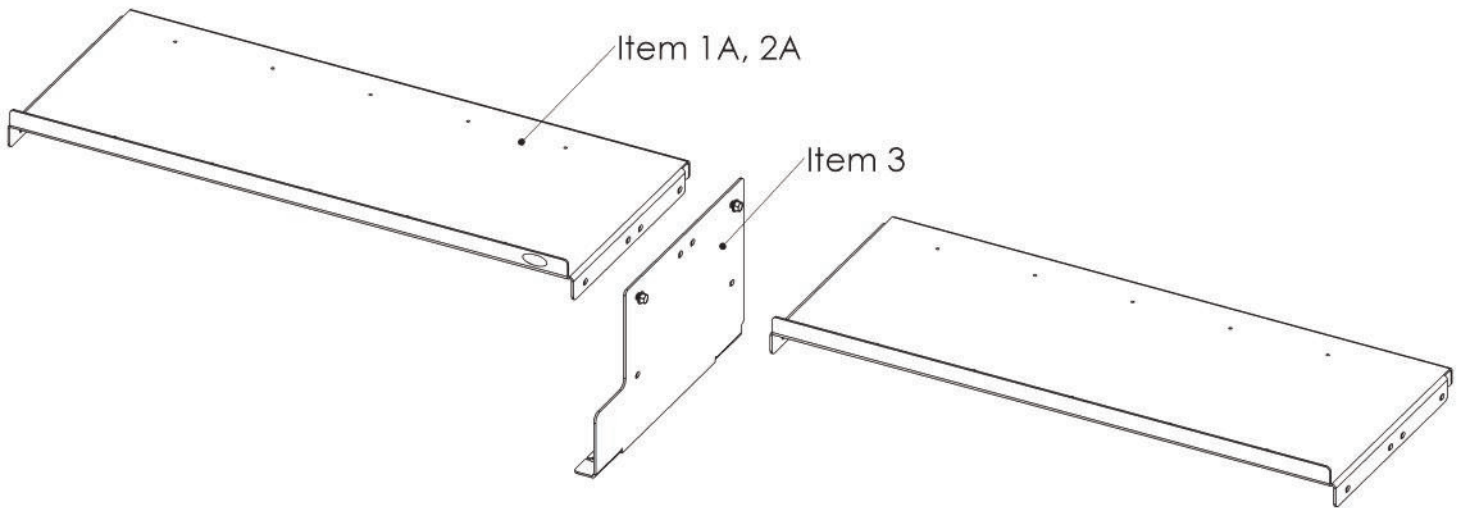
ITD0240

Installation Guide for a Pro Series Full Length Shelf

Installed on a 48" or 70" ITD Pro Series Tool Box

Parts List:

| Item # | Qty | Description | Part # |
|--------|-----|--|------------|
| 1 | (1) | 48" Full Length Shelf Kit | ITD1287 |
| 1A | (2) | 48" Replacement Shelf | ITD6282-01 |
| 2 | (1) | 70" Full Length Shelf Kit | ITD1286 |
| 2A | (2) | 70" Replacement Shelf | ITD6257-01 |
| 3 | (1) | Center Support (fits 48" and 70" Shelf Kits) | ITD6281-01 |



** 70" Full Length Shelf Kit Shown

To see the full line of ITD Pro Series Tool Boxes & Accessories visit us at:
www.intheditch.com or call 1-888-993-4824






ITD0240

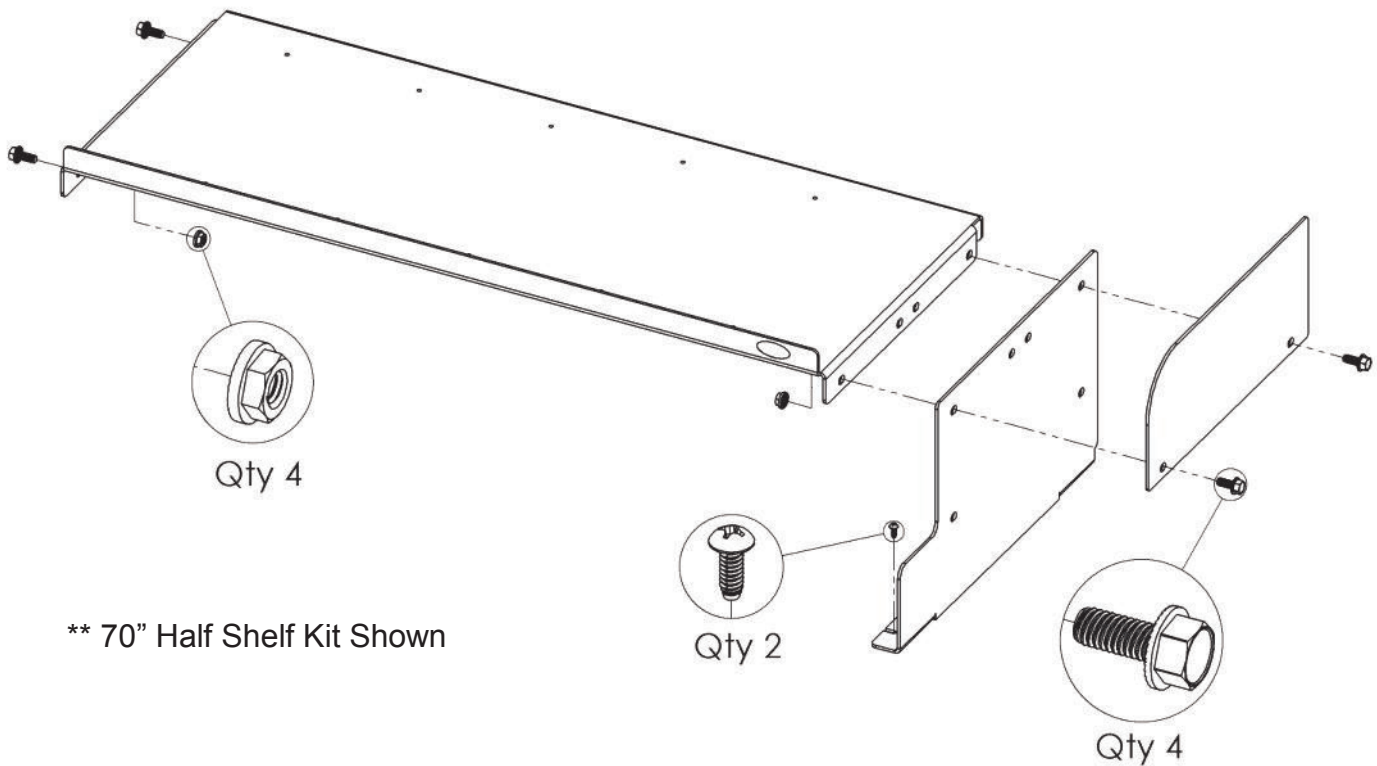
Installation Guide for Pro Series Half Shelf Kit

Installed in a 48" or 70" ITD Pro Series Tool Box

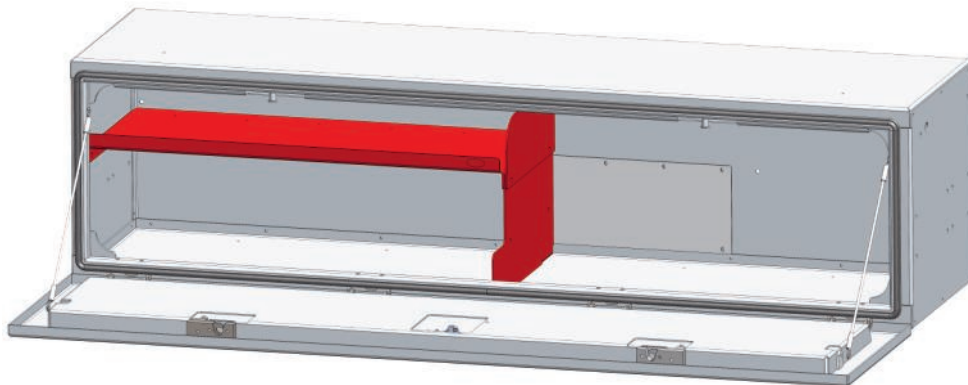
Below is a list of parts you will need to install a Pro Series Half Shelf Kit

| | Description | Quantity |
|---|------------------------------|----------|
|  | 5/16"-18 x 3/4" Flanged Bolt | 4 |
|  | 5/16"-18 Flanged Nut | 4 |
|  | #10-24 Self Threading Screw | 2 |

Parts List 



** 70" Half Shelf Kit Shown



To see the full line of ITD Pro Series Tool Boxes & Accessories visit us at:
www.intheditch.com or call 1-888-993-4824



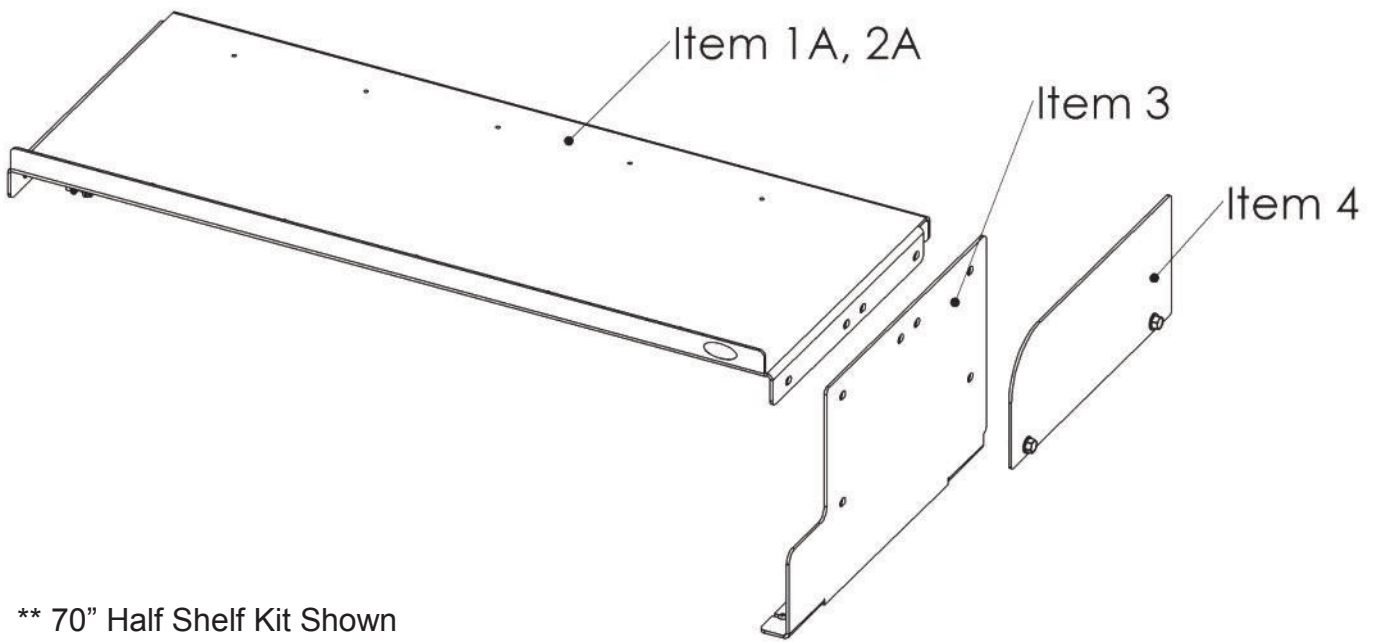
ITD0244

Installation Guide for a Pro Series Half Shelf

Installed on a 48" or 70" ITD Pro Series Tool Box

Parts List:

| Item # | Qty | Description | Part # |
|--------|-----|--|------------|
| 1 | (1) | 48" Half Shelf Kit | ITD1342 |
| 1A | (2) | 48" Replacement Shelf | ITD6282-01 |
| 2 | (1) | 70" Half Shelf Kit | ITD1341 |
| 2A | (2) | 70" Replacement Shelf | ITD6257-01 |
| 3 | (1) | Center Support (fits 48" and 70" Shelf Kits) | ITD6281-01 |
| 4 | (1) | Center Divider (fits 48" and 70" Shelf Kits) | ITD1326 |



** 70" Half Shelf Kit Shown

To see the full line of ITD Pro Series Tool Boxes & Accessories visit us at:
www.intheditch.com or call 1-888-993-4824





ITD0244

Installation Guide for 36" Shelf Kit (ITD1288)

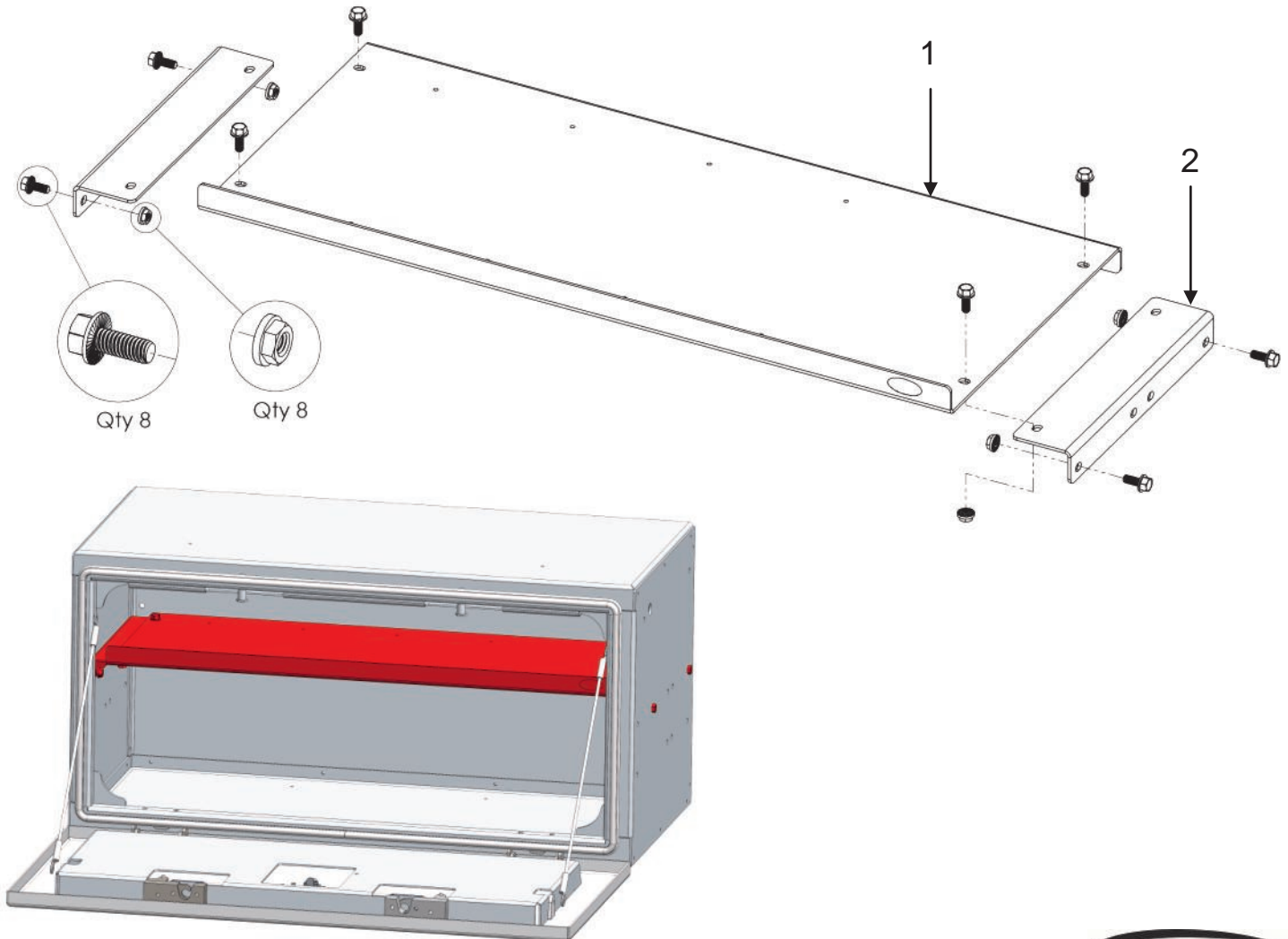
Installed in a 36" ITD Pro Series Tool Box

Below is a list of parts you will need to install a 36" Shelf Kit

| | Description | Quantity |
|---|------------------------------|----------|
|  | 5/16"-18 x 3/4" Flanged Bolt | 8 |
|  | 5/16"-18 Flanged Nut | 8 |

Parts List:

| Item # | Qty | Description | Part # |
|--------|-----|------------------|------------|
| 1 | (1) | Shelf | ITD6302-01 |
| 2 | (2) | Support Brackets | ITD6301 |



To see the full line of ITD Pro Series Tool Boxes & Accessories visit us at:
www.intheditch.com or call 1-888-993-4824



ITD0246