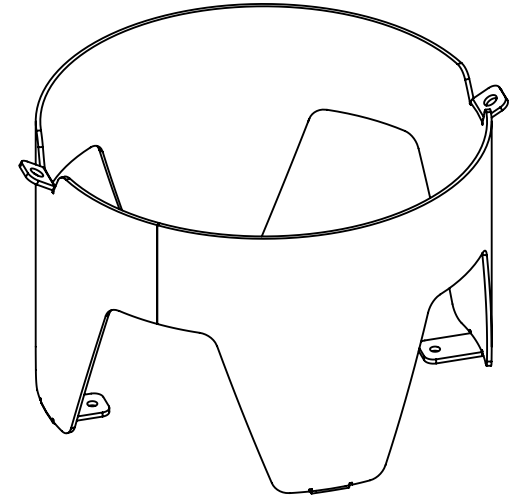
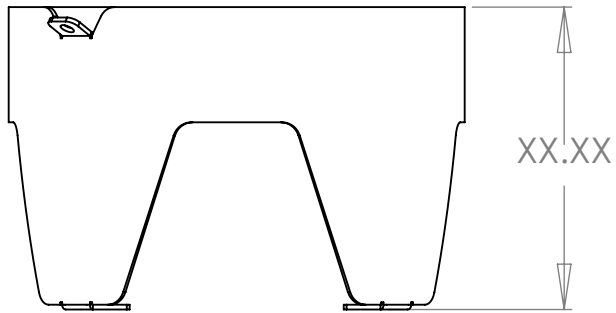
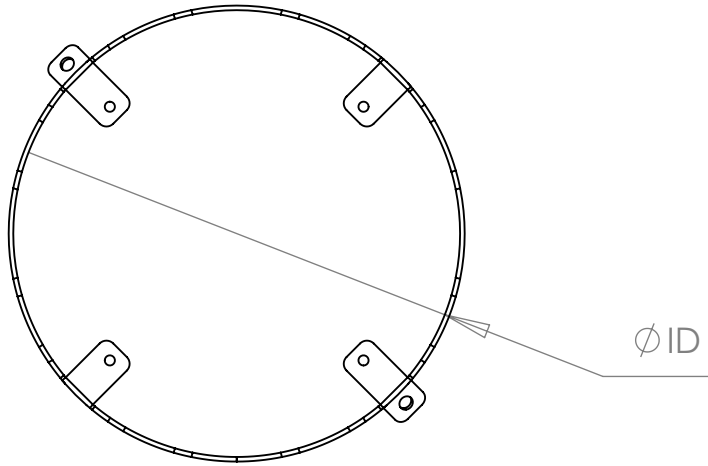


Part #	Description	ID	XX.XX
ITD1036	4 gal Steel Wrecker TC Mount	10.50"	5.00"
ITD1044	6 gal Steel Wrecker TC Mount	11.75"	7.75"
ITD1050	4 gal Aluminum Wrecker TC Mount	10.50"	5.00"
ITD1054	6 gal Aluminum Wrecker TC Mount	11.75"	7.75"



Dimensions are for reference only.

In The Ditch Towing Products	
PART NAME Wrecker Trash Can Mounts	
SIZE PART NO.	ITD1054
SHEET SCALE 1:5	SHEET 1 of 1