



a **WABCO** company

# PRODUCT BULLETIN

## Hydraulic Brake Locks Lever Lock, Twist Lock and Cable Lock

### DESCRIPTION

MICO® Hydraulic Brake Locks supplement a vehicles standard parking brake by utilizing the hydraulic service brake system. These brake locks are manually operated one-way check valves which hold pressurized fluid in the selected brakes.

The Lever Lock will provide a cost-effective method to supplement the parking brake.

The Twist Lock function is similar to the lever lock but uses a sealed rotary action. It is for use in applications with adverse environments.

The Cable Lock is for use in applications where there is limited space under the dash. The lock is mounted in a remote location and operated by a cable and knob that is accessible on the dash.

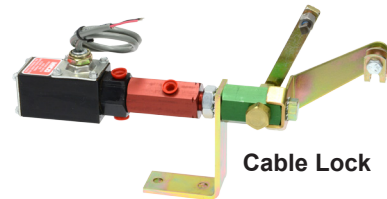
MICO® Hydraulic Brake Locks are ideal for use on vehicles in the construction, mining, forestry, agriculture, material handling industries, multi-stop delivery vehicles, and recreational vehicles, such as motorhomes and off-road 4-wheel drives.



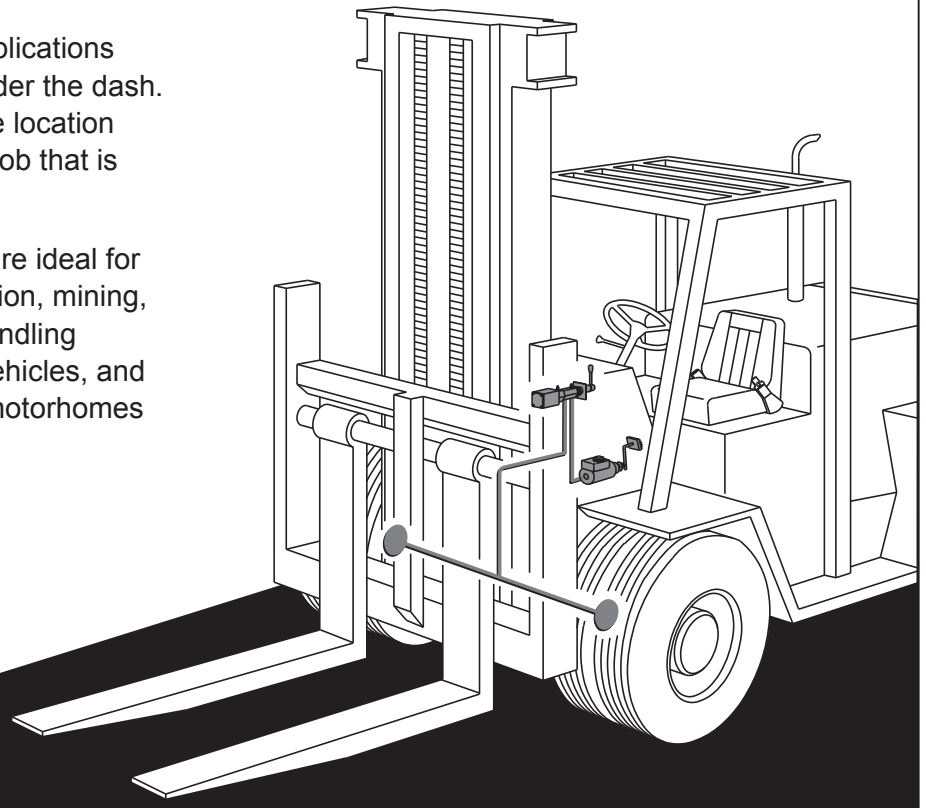
Twist Lock



Lever Lock



Cable Lock



MICO is a trademark and registered trademark of MICO, Inc. MICO is registered in the U.S. Patent and Trademark Office as well as in Australia, Canada, Indonesia, Japan, Peoples Republic of China, South Korea, and the European Community.



a **WABCO** company

Form No. 80-950-013

Revised 2014-03-06

### MICO, Inc.

1911 Lee Boulevard

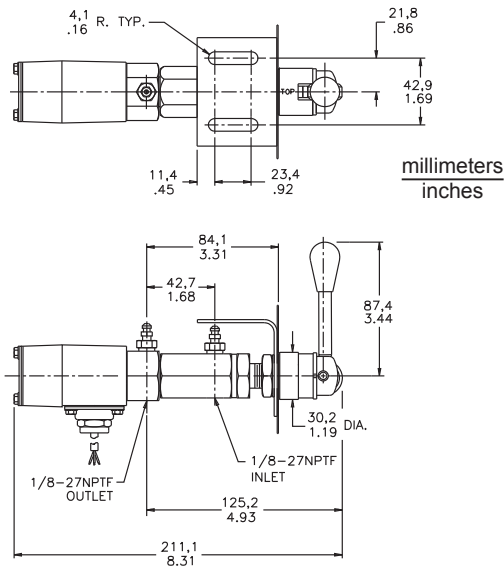
North Mankato, MN U.S.A. 56003-2507

Tel: +1 507 625 6426

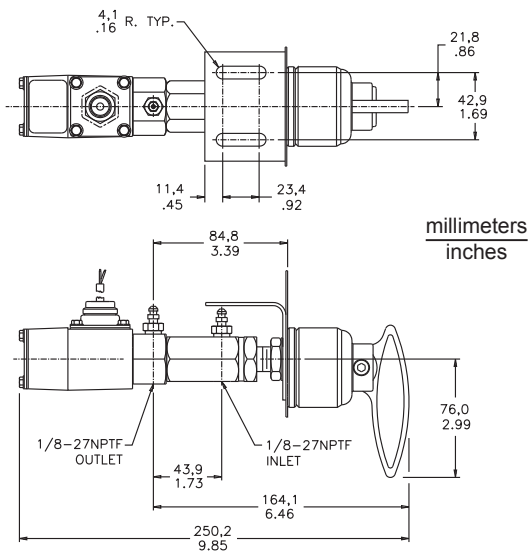
Fax: +1 507 625 3212

[www.mico.com](http://www.mico.com)

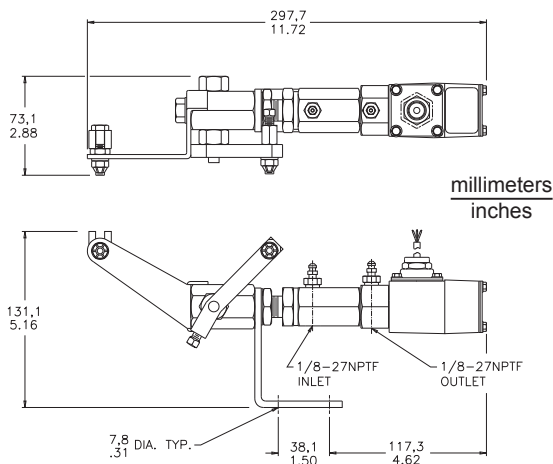
### Typical Lever Lock



### Typical Twist Lock



### Typical Cable Lock



Model Number	Description
02-640-023 (BF)	Cable Lock - 3/16 inch and 1/4 inch fittings - includes 10 foot cable
02-640-122 (HO)	Cable Lock - includes 10 foot cable
02-640-125 (BF)	Lever Lock - 3/16 inch and 1/4 inch fittings
02-640-126 (HO)	Lever Lock - 3/16 inch and 1/4 inch fittings
03-640-131 (BF)	Lever Lock - 1/4 inch fittings - normally open interlock switch
03-640-075 (BF)	Twist Lock - 3/16 inch and 1/4 inch fittings
03-640-076 (HO)	Twist Lock - 3/16 inch and 1/4 inch fittings

BF = DOT 3, 4, 5 and 5.1 brake fluid  
HO = mineral base hydraulic oil

### Low Pressure Warning Switch

All MICO® Hydraulic Brake Locks include a low pressure warning switch for your safety and the safety of others who may be exposed to danger if the vehicle moves.

The low pressure warning switch must be used in combination with an audible or visual alarm to signal a possible reduction in brake pressure and holding capability. **Do not disconnect the Low pressure Switch.**

The low pressure warning switch provides two important safety features. First, a signal that indicates that sufficient pressure to hold the vehicle has been locked in the braking system. Second, if a loss of pressure occurs in the locked brake system, the alarm will activate indicating insufficient brake holding pressure.

The MICO® Brake Locks can be used in many different vehicle applications. Please contact MICO, Inc. for assistance in choosing a brake lock best suited for your application.

### Operation

#### Lever Lock

**To Lock:** Set parking brake. Move MICO Lever to fully locked position. Apply service brakes firmly until alarm stops.

**To Release:** Move MICO Lever to fully release position. Release parking brake.

#### Twist Lock

**To Lock:** Set parking brake. Rotate MICO Handle to lock position. Apply service brakes firmly until alarm stops.

**To Release:** Rotate MICO Handle to release position. Release parking brake.

#### Cable Lock

**To Lock:** Set parking brake. Move MICO Knob/Cable to fully locked position. Apply service brakes firmly until alarm stops.

**To Release:** Move MICO Knob/Cable to fully released position. Release parking brake.

This document is intended to provide general information about MICO Products. MICO, Inc. has attempted to present accurate information about MICO Products in its catalogs, brochures, and other printed materials. MICO, Inc. is not responsible for errors, inaccuracies, or inconsistencies that may exist in any catalog brochure or other printed materials or any damages arising from or related to reliance on information in them. Materials and specifications for MICO Products set forth in catalogs, brochures, and other printed materials are subject to change without notice or obligation. Refer to [www.mico.com](http://www.mico.com) for the most recent versions of our literature. If you have any questions concerning MICO Products, please contact MICO, Inc. All MICO Products and service are sold and provided subject to the MICO Warranty at [www.mico.com](http://www.mico.com) in effect on the date of sale or supply.