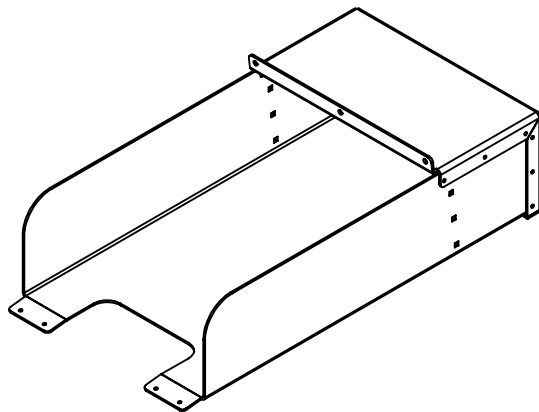
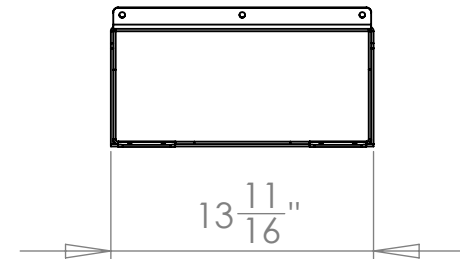
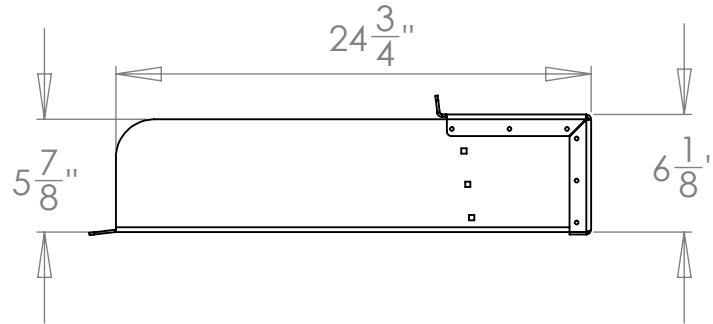
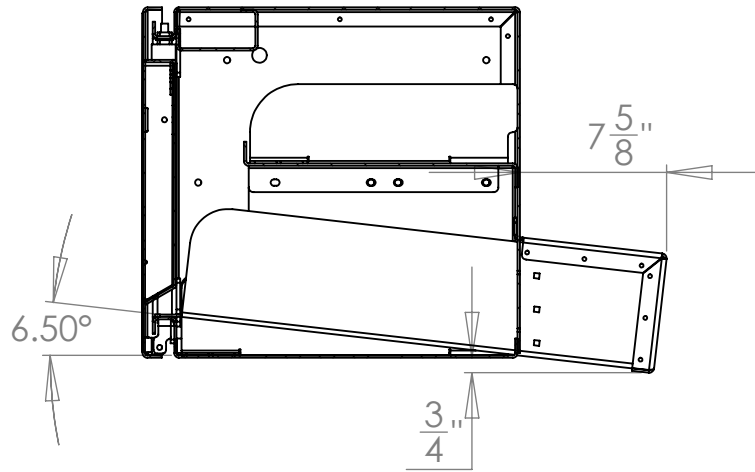


REV.	DESCRIPTION	DATE	APPROVED

Jack Bracket Installed



DRAWN BY: KBH DRAWN DATE: 7/31/2012
 UNLESS OTHERWISE SPECIFIED:
 DIMENSIONS ARE IN INCHES
 TOLERANCES:
 FRACTIONAL ± 1/16"
 ANGULAR: MACH ± 0.25° BEND ± 1.5°
 TWO PLACE DECIMAL ± 0.020"
 THREE PLACE DECIMAL ± 0.005"
 MATERIAL: See BOM
 DO NOT SCALE DRAWING

Inventive LLC
 In The Ditch Towing Products
PART NAME
 ITD Carrier Box Jack Mount
SIZE PART NO.
A ITD1284
 SHEET SCALE 1:10 SHEET 1 of 1