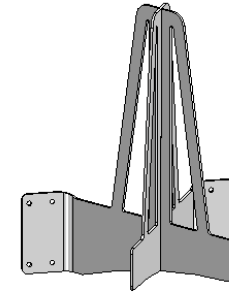
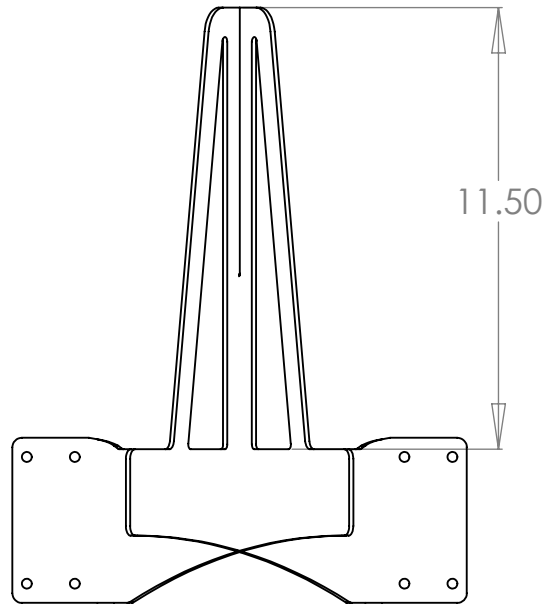
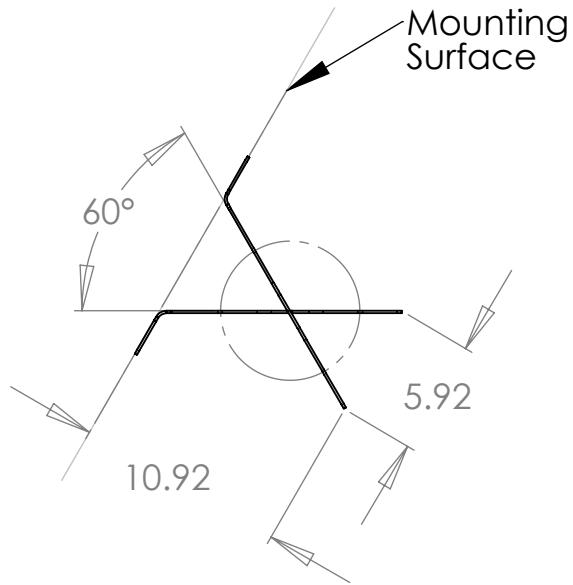


REV.	DESCRIPTION	DATE	APPROVED
------	-------------	------	----------



.125" 5052 Aluminum Sheet

DRAWN BY: KBH DRAWN DATE: 3/17/2009 UNLESS OTHERWISE SPECIFIED: DIMENSIONS ARE IN INCHES TOLERANCES: FRACTIONAL $\pm 1/16"$ ANGULAR: MACH $\pm 0.25^\circ$ BEND $\pm 1.5^\circ$ TWO PLACE DECIMAL $\pm 0.020"$ THREE PLACE DECIMAL $\pm 0.005"$ MATERIAL: See BOM	Inventive LLC In The Ditch Towing Products PART NAME 18" Vert. Mnt. Cone Holder SIZE PART NO. A ITD1135
DO NOT SCALE DRAWING	SHEET SCALE 1:10 SHEET 1 of 1