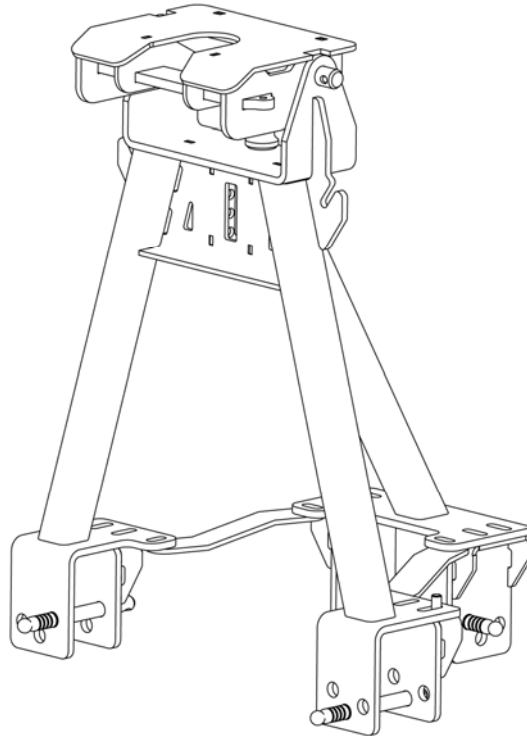


Fifth Wheel Power Hitch

Operations Manual



ITD1253 Fifth Wheel Power Hitch



208-587-7960

www.InTheDitch.com

This page is intentionally left blank.



TABLE OF CONTENTS

TABLE OF CONTENTS.....	1
WARRANTY INFORMATION.....	2
Limited Warranty	2
Notice to Owner or User	3
PARTS & ACCESSORIES	4
SAFETY & PRECAUTIONS	5
Precautions	5
Load Ratings	5
FITTING HITCH FOR 1 ST USE.....	6
Assembly	6
USING THE POWER HITCH	8
To Install Power Hitch For Use	8
Power Hitch Configurations	8
OWNER RECORDS	9



WARRANTY INFORMATION

Limited Warranty

In The Ditch Towing Products (ITD) warrants to the original purchaser that each new ITD manufactured goods will be free from defects in material and workmanship for a period of twelve (12) months from date placed in service. The purchaser must promptly notify ITD in writing of any failure in material or workmanship. In no event shall ITD accept such notification later than twelve (12) months from date placed in service.

ITD obligation under this warranty, statutory or otherwise, is limited to the repair or replacement at the ITD factory, or at a point designated by ITD, of such part or parts as shall appear upon inspection by ITD to be defective in material or workmanship. This warranty is not transferable. This warranty does not obligate ITD to bear the cost of labor or transportation charges in connection with the repair or replacement of any parts found to be defective, nor shall it apply to a product upon which repairs or alterations have been made unless authorized by ITD.

Except as expressly set forth in this warranty, ITD makes no other warranty, expressed or implied, and hereby disclaims all other warranties including, but not limited to, the implied warranties of merchantability and fitness for a particular purpose. ITD shall in no event be liable for claimed downtime, claimed loss of profits or good will, or any other special, incidental, indirect, or consequential damages concerning or relating to any product or parts, whether based on negligence, strict liability, breach of contract, breach of warranty, misrepresentation, or any other legal theory, regardless of whether the loss resulted from any general or particular requirement which ITD knew or had reason to know about at the time of sale.

ITD makes no warranty, express or implied, as to the finished products manufactured or supplied by another manufacturer and supplied by ITD to purchaser, including, but not limited to, any vehicle to which an ITD product may be affixed or any accessories, and ITD expressly disclaims any implied warranties of merchantability and fitness for a particular purpose as to such equipment or products. This language shall in no way affect or diminish the rights of the purchaser to rely on such warranties as are extended by such manufacturers or supplies. IWS shall, to the extent permitted under applicable law, pass on to the purchaser such manufacturer's or seller's warranty.

The customer must obtain and present a written authorization number from ITD prior to any work beginning, and the customer agrees to bear all costs. Please Note: Merchandise covered by a manufacturer's warranty must be sent directly to the manufacturer for replacement or repair. ITD, whose policy is one of continuous improvement, reserves the right to improve its products through changes in design or materials as it may deem desirable without being obligated to incorporate such changes in products previously sold.

This warranty is not intended to cover or include the following items, which are set forth by way of example and not limitation: normal deterioration of trim, paint, lettering, appearance of items due to wear or exposure to weather, road conditions, road treatments, etc.; any damage or defect due to accident, misuse, abuse, operation exceeding rated loads, improper or unauthorized repairs, failure to

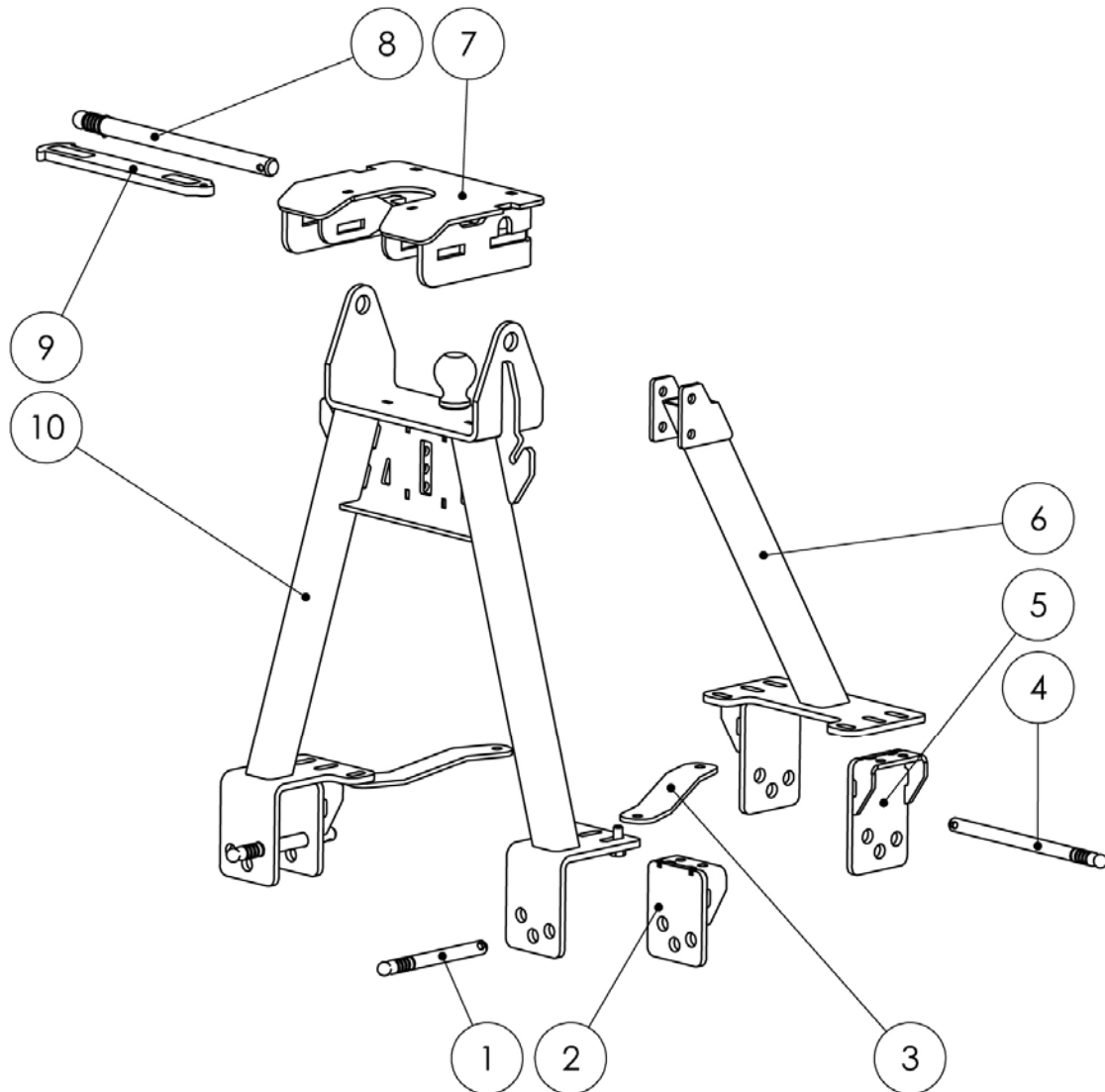
provide reasonable and necessary maintenance, or uses of which the equipment was not designed or intended; alterations or modifications that affect performance, operations, or reliability.

It is expressly understood that ITD makes no implied warranty that ITD manufactured goods shall be fit for the purpose of lifting or moving people or for any other improper use. Field modification of this unit without the advice and consent of our Engineering Department will void all warranties and any guarantees pertaining to both purchased components used in the manufacture of this unit, as well as structurally fabricated parts supplied by us. Use of other than factory or factory authorized parts will render the warranty void.

Notice to Owner or User

Please fill out the Warranty Registration Transfer (**see Appendix page 9**) and mail it to ITD within 15 days after purchase. This validates the warranty transfer and is essential for your protection. If ITD should ever need to contact you concerning compliance of your ITD equipment with any applicable safety standards, the information you have provided on the Warranty Registration Transfer will ensure your immediate notification.

PARTS & ACCESSORIES



Item #	Part #	Description
1	ITD6524	Cross Bar Locking Pin
2	ITD6527	Cross Bar Adjustment Pad
3	ITD6528/ITD6504	Link Bar (ITD6504 used for most 2014+ Jerr-Dan wheel lifts)
4	ITD6525	Main In/Out Tube Locking Pin
5	ITD6526	Main In/Out Tube Adjustment Pad
6	ITD6519	Adjustable Third Leg
7	ITD6541	5 th Wheel Head
8	ITD6542	5 th Wheel Head Pin
9	ITD6543	King Pin Retaining Bar
10	ITD6520	Main Body

SAFETY & PRECAUTIONS

This manual is supplied with the ITD unit to better familiarize the owner/operator with proper operation and maintenance procedures. The information contained in this manual must be thoroughly understood by all operating and maintenance personnel to insure the protection of the operator of this unit and to prolong the unit's working life.

Precautions

- Please note that the 5th Wheel Power Hitch is NOT a prime mover. It is designed to transport the disabled vehicle to the nearest safe haven.
- Before operating, perform a thorough visual inspection of the unit and accessories.
- Before operating the Power Hitch, refer to the capacity labels on the main body near the gooseneck ball.
- Do not use the Power Hitch for the movement or transportation of humans or livestock animals.

Load Ratings

Do not exceed loads of **12,500 lbs (5670 kg)**. Stated capacity is unit structural rating only. Never exceed the load rating of the wheel lift.



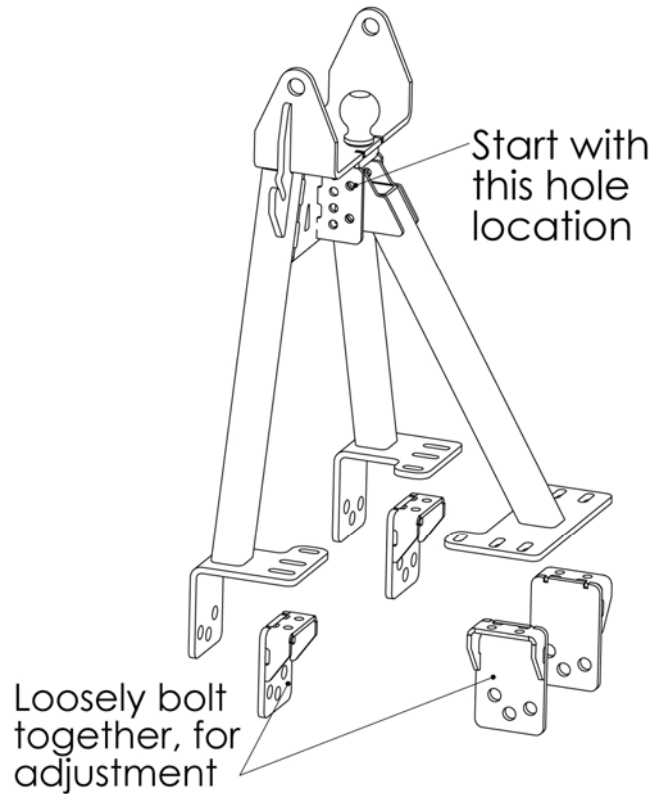
NEVER EXCEED THE MANUFACTURER WHEEL LIFT CAPACITY RATING



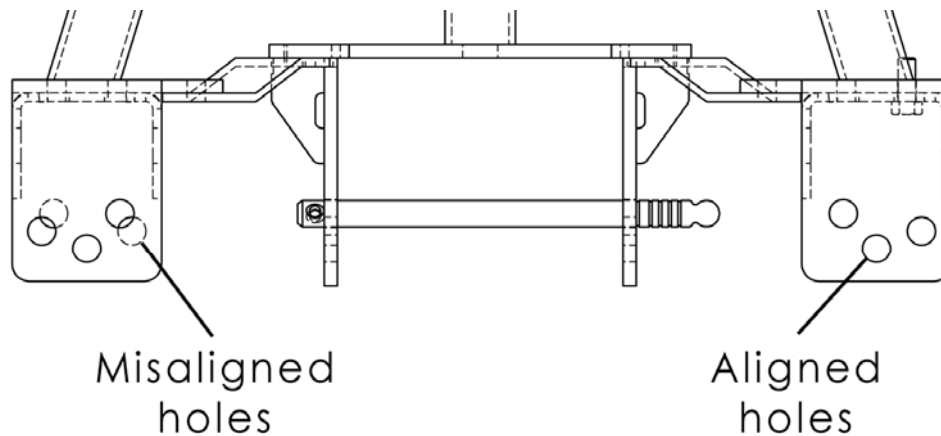
FITTING HITCH FOR 1ST USE

Assembly

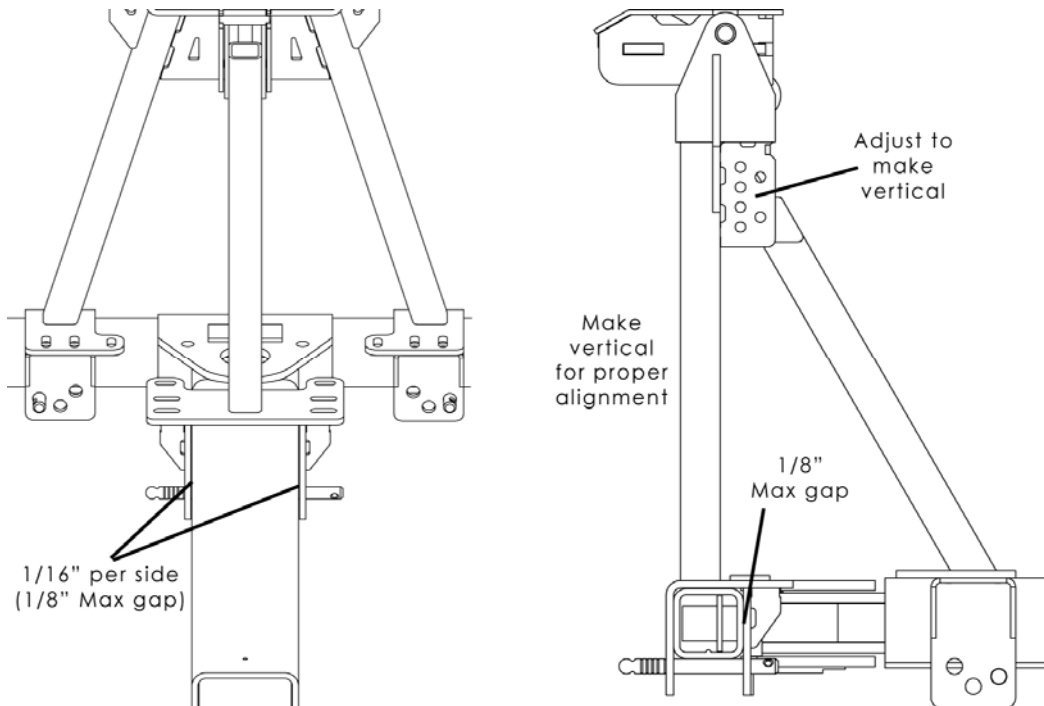
1. Loosely attached the Cross Bar and Main In/Out Tube Adjustment Pads to the base of the Main Body and Adjustable Third Leg.
2. Attached the Adjustable Third Leg to the Main Body



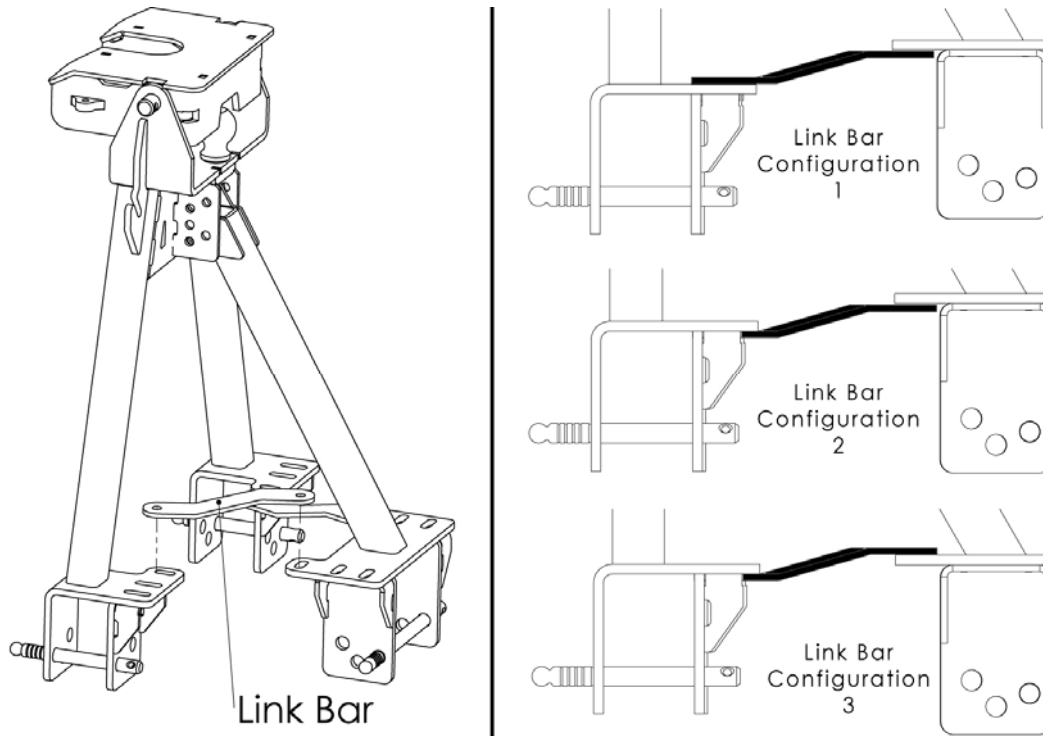
3. Make sure the Locking Pin holes align such that a pin can be placed through them.



- Place entire unit on wheel lift and adjust to the specifications show below.



- Once adjusted verify Cross Bar is 90° to Main In/Out Bar and install Link Bars. (*Note: choose the link bar configuration that best fits your application*)

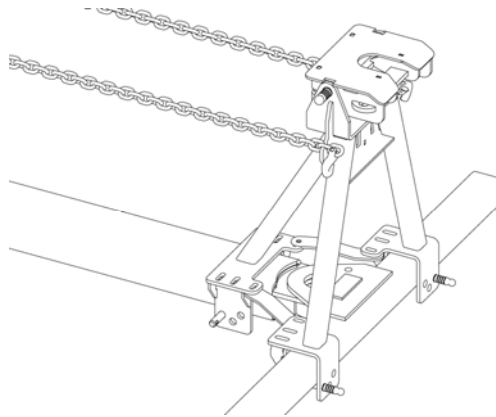


- TORQUE ALL 1/2" BOLTS TO 75 FT-LB! ITD6504 used for most 2014-up Jer-Dan wheel lifts**

USING THE POWER HITCH

To Install Power Hitch For Use

1. Assemble the hitch per the instructions in the prior section.
2. Place Hitch on extended wheel lift.
3. Secure hitch to wheel lift using locking pins and linch pins.
4. Position wheel lift and hitch in a position to tow trailer
5. Utilize the truck safety chains (secondary attachment chains) to stabilize the hitch. This is accomplished by locking the truck safety chains in the supplied chain slots and then extending the wheel lift until chains are snug.



6. Load trailer following all federal and local towing laws.
 - a. Safety Chains
 - b. Lighting
 - c. Trailer Brakes

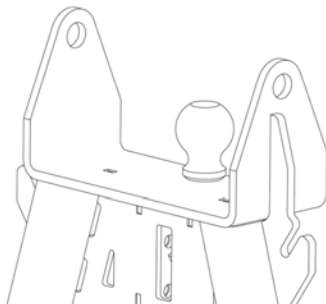


FOLLOW ALL FEDERAL AND LOCAL TOWING LAWS WHILE USING THE POWER HITCH

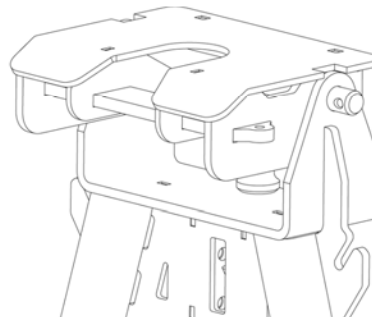


Power Hitch Configurations

Gooseneck
Configuration



5th Wheel Hitch
Configuration



OWNER RECORDS

Name of owner or user. _____

Street Address _____

City _____ State ____ Zip _____

Phone () _____

Date of Purchase ____/____/____

Date put into Service ____/____/____

Purchased from (Dealer) _____

City _____ State ____ Zip _____

Type and Model of Equipment Purchased _____

CUT ALONG SOLID LINE

WARRANTY REGISTRATION TRANSFER

Please Print Clearly!

Name of owner or user. _____

Street Address _____

City _____ State ____ Zip _____

Phone () _____

Date of Purchase ____/____/____

Date put into Service ____/____/____

Purchased from (Dealer) _____

City _____ State ____ Zip _____

Type and Model of Equipment Purchased _____

Mail To:

In The Ditch Towing Products
Attn: Warranty Dept
3195 Industrial Way
Mountain Home, ID 83647
(888) 993-4824
(208) 587-7960
Fax: (208) 580-1900

CONTACT INFORMATION

In The Ditch Towing Products
3195 Industrial Way
Mountain Home, ID 83647
888-993-4824 Toll Free
(208) 587-7960
Fax: (208) 580-1900

WWW.INTHEDITCH.COM

CUT ALONG SOLID LINE

CONTACT INFORMATION

In The Ditch Towing Products
3195 Industrial Way
Mountain Home, ID 83647
888-993-4824 Toll Free
(208) 587-7960
Fax: (208) 580-1900

WWW.INTHEDITCH.COM