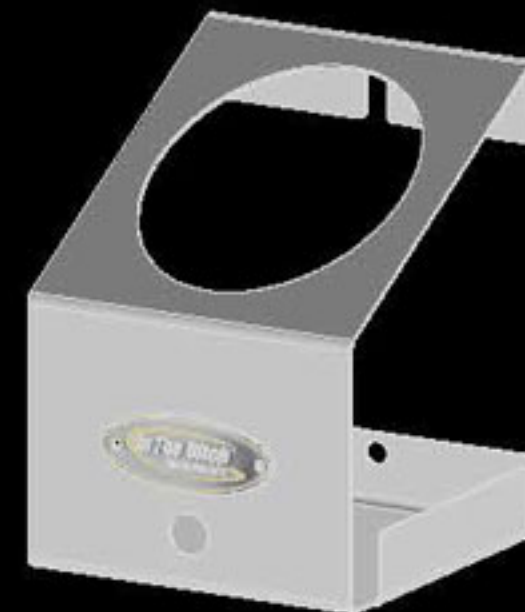
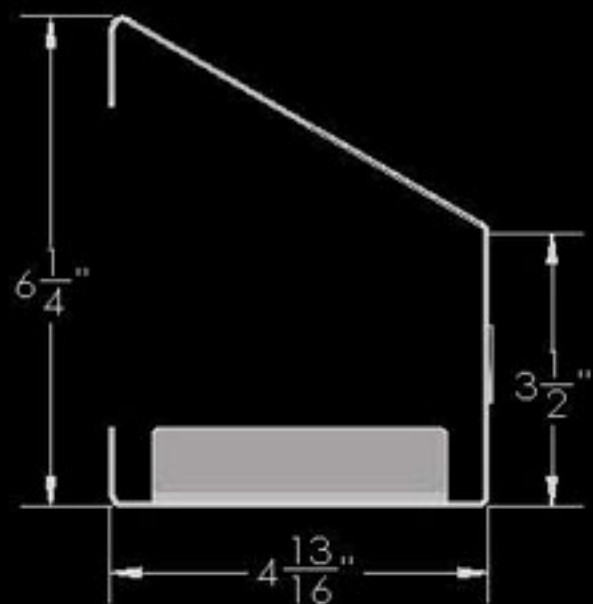
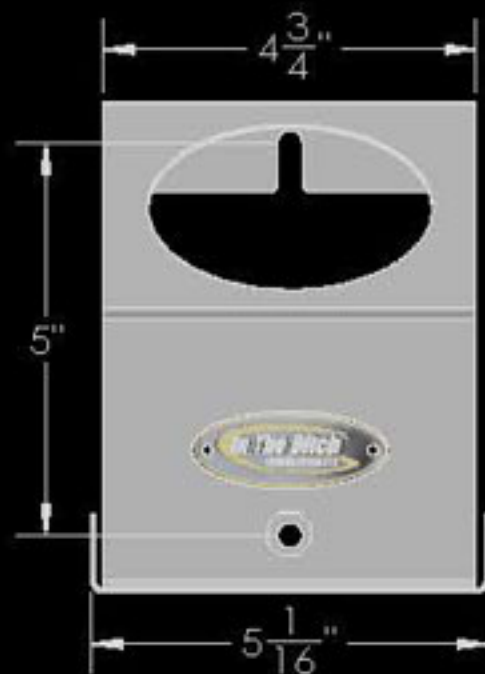
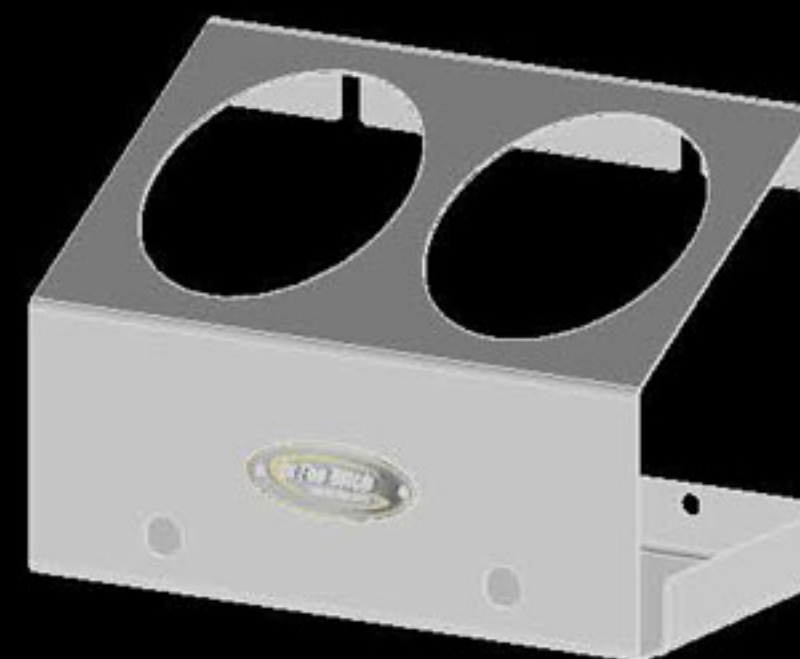
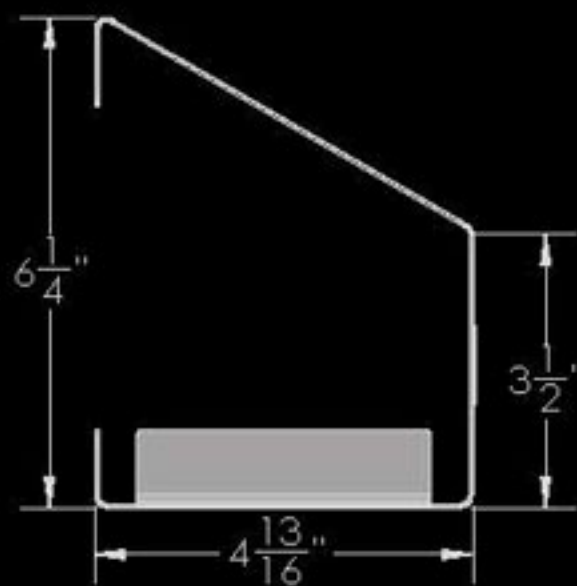
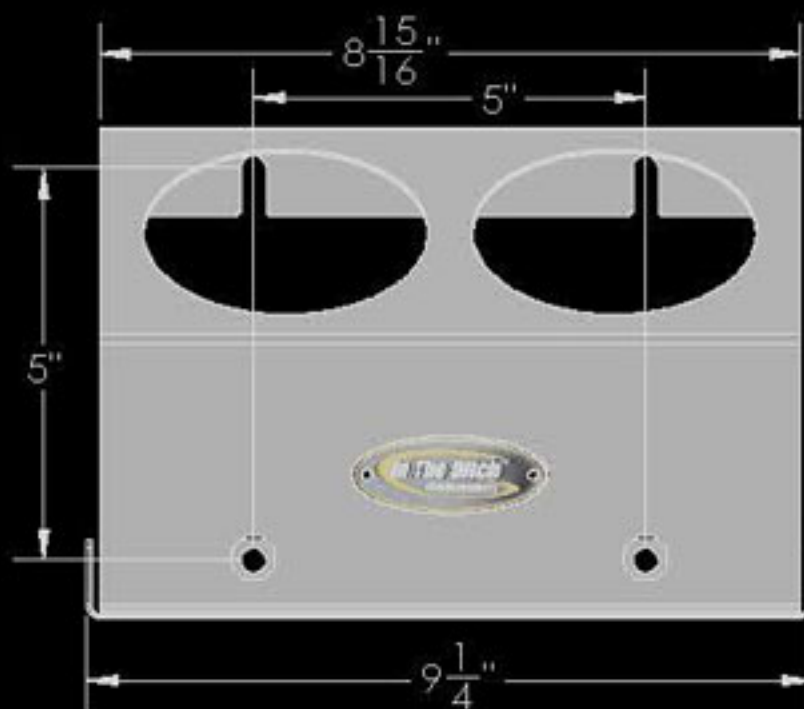


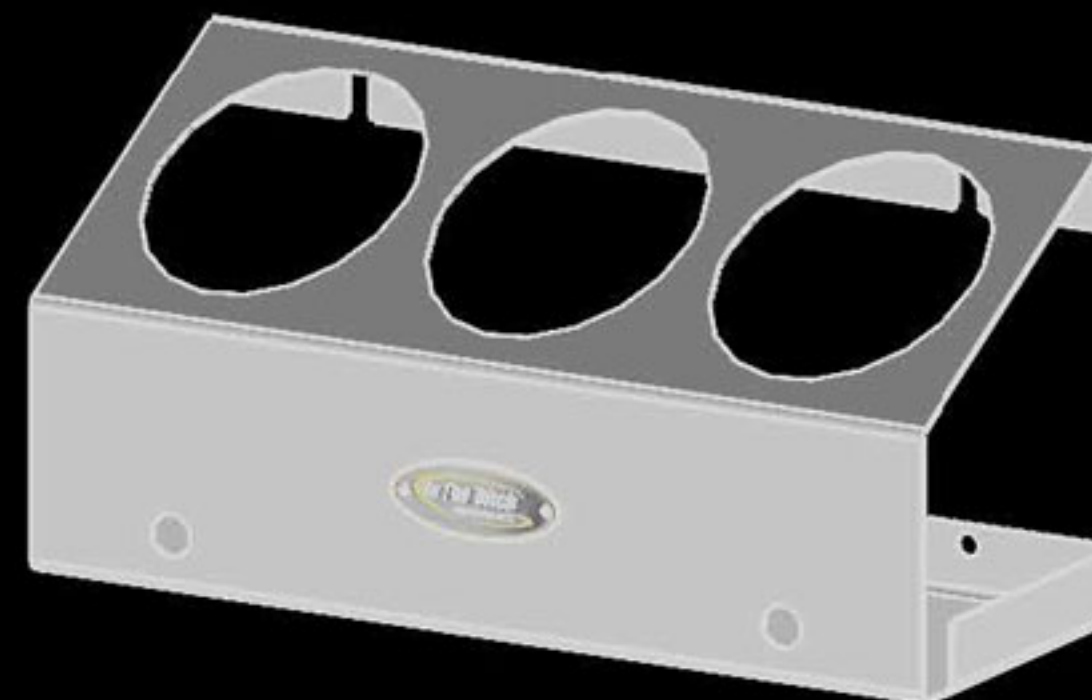
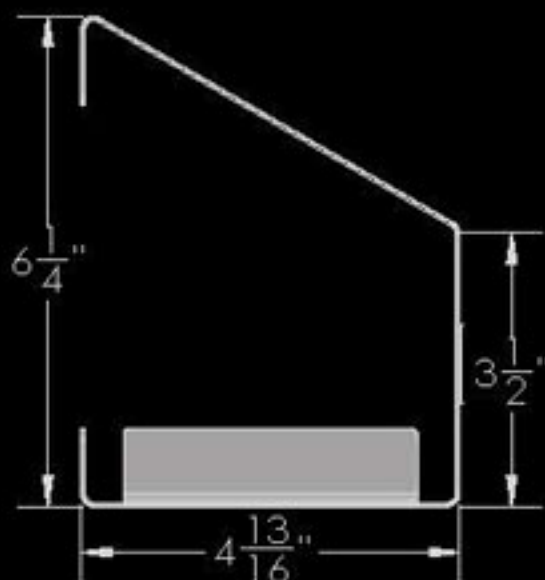
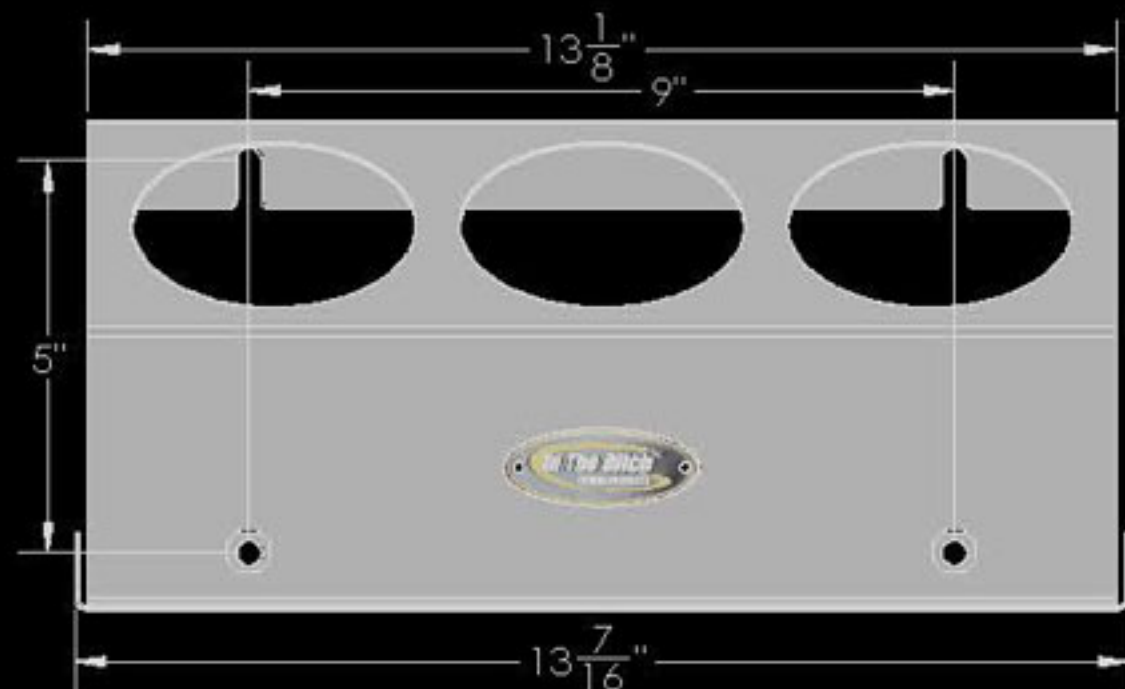
ITD1805



ITD1885



ITD1806



Inventive LLC	
In The Ditch Towing Products	
DESCRIPTION	Spray Bottle Holders
PART NO.	ITD1885/ITD1805/ITD1806
WEIGHT	LBS