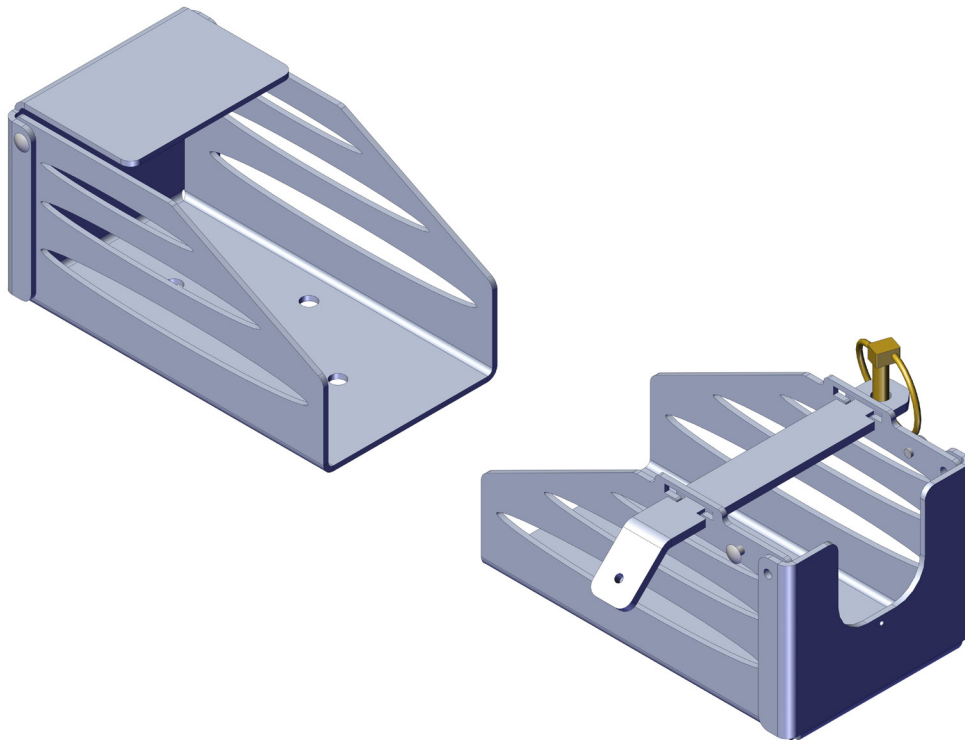


4 x 4 LUMBER HOLDER

ITD11676

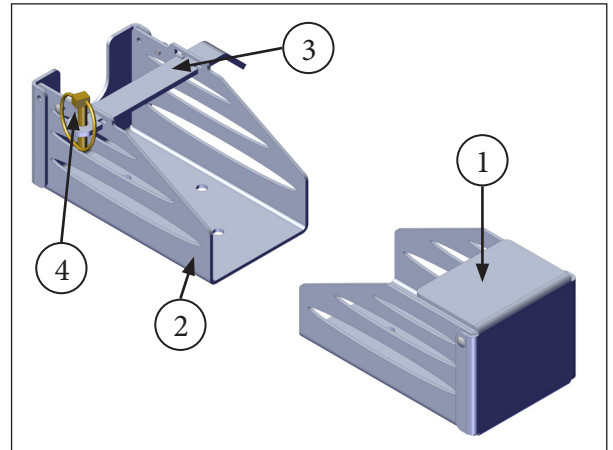
OPERATIONS MANUAL



208-587-7960
www.InTheDitch.com

ITD11676 4 X 4 Lumber Holder Parts

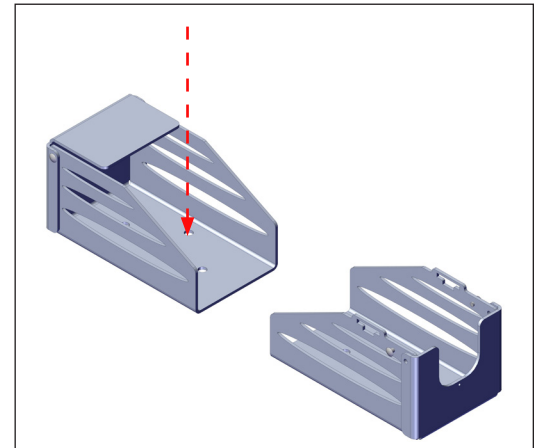
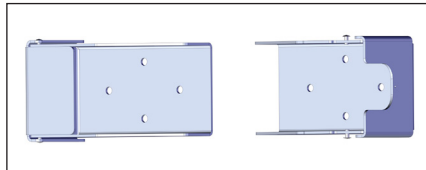
ITEM#	QUANTITY	DESCRIPTION	PART #
1	1	Slide In End	ITD11689
2	1	Locking End	ITD11690
3	1	Lock Bar	ITD11691
4	1	5/16" Lynch Pin	ITD7099



Installation

ITD recommends (2) 1/4" bolts or (2) 5/16" self tapping screws per side for installation.

ITD has designed the ITD11676 4 X 4 Lumber Holder with a 4 hole mount pattern giving the installer the different options on how they want to mount it.



Instructions For Use

1. Remove Lock Bar

2. Slide 4 X 4 in to place

3. Replace Lock Bar and secure with 5/16" Lynch Pin

