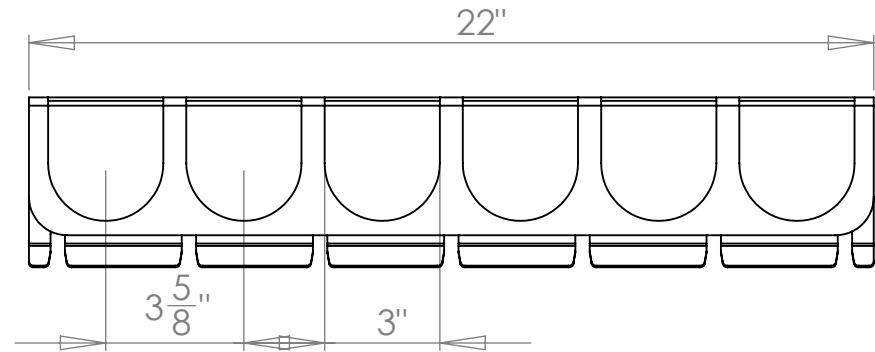
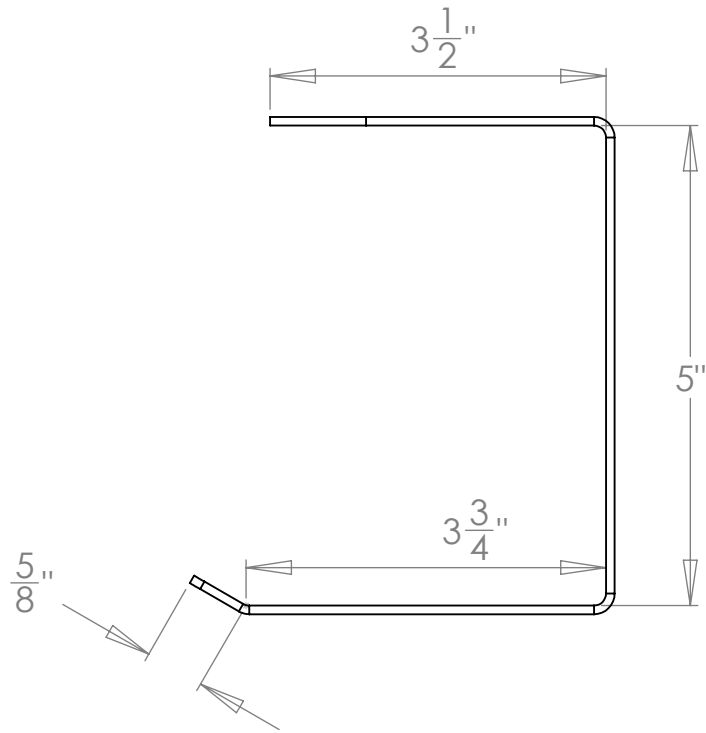
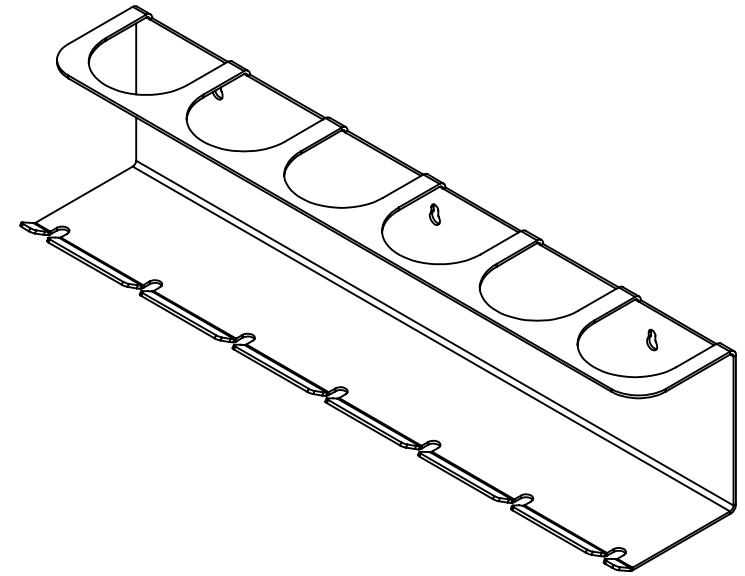


REV.	DESCRIPTION	DATE	APPROVED
------	-------------	------	----------



.090" 5052 Aluminum Sheet

DRAWN BY: KBH DRAWN DATE: 5/21/2012

UNLESS OTHERWISE SPECIFIED:

DIMENSIONS ARE IN INCHES
 TOLERANCES:
 FRACTIONAL $\pm 1/16"$
 ANGULAR: MACH $\pm 0.25^\circ$ BEND $\pm 1.5^\circ$
 TWO PLACE DECIMAL $\pm 0.020"$
 THREE PLACE DECIMAL $\pm 0.005"$

MATERIAL: See BOM

DO NOT SCALE DRAWING

Inventive LLC
 In The Ditch Towing Products

PART NAME
6 Can Air Tool Rack

SIZE PART NO.
A ITD1301 (AL 6 Can Air Tool)

SHEET SCALE 1:5

SHEET 1 of 1